

## Quick Start

Thank you for purchasing the MSI® **MEG X570 ACE** motherboard. This Quick Start section provides demonstration diagrams about how to install your computer. Some of the installations also provide video demonstrations. Please link to the URL to watch it with the web browser on your phone or tablet. You may have even link to the URL by scanning the QR code.

## クイックスタート

この度は MSI® **MEG X570 ACE** マザーボードをお買い上げいただき、誠にありがとうございます。このクイックスタートにはPCの組み立て方法のデモンストレーション図を掲載しています。いくつかの組み立て手順に付きましては、実演ビデオを提供しています。スマートフォンやタブレット端末のウェブブラウザで本書に記載されたURLにアクセスしてご覧ください。QRコードをスキャンすることでもURLのリンク先をご参照頂けます。

## 퀵 스타트

MSI® **MEG X570 ACE** 메인보드를 선택해주셔서 감사합니다. 이 부분에서는 컴퓨터를 설치하는 방법에 대한 데모 다이어그램과 일부 데모 동영상을 제공하고 있습니다. 휴대전화 또는 태블릿의 웹 브라우저를 통하여 URL에 링크한 후 설치 동영상을 감상하시기 바랍니다. 또는 QR 코드를 스캔하여 URL에 링크할 수도 있습니다.

## 快速指引

感謝您購買 MSI® **MEG X570 ACE** 主機板。本快速指引章節提供您安裝電腦的示範圖解，亦提供部分組件的安裝示範影片；請您以智慧型手機或平板的瀏覽器連上 URL 網址進行觀看。您也可以掃描 QR code 的方式快速連接至網址。

## 快速入门

感谢您购买 MSI® **MEG X570 ACE** 主板。本快速入门部分提供了有关如何安装计算机演示图。某些设施还提供了视频演示。请使用您的手机或平板电脑上的网页浏览器链接至网址观看。您也可以通过扫描QR码链接到URL。

# Installing a Processor/ CPUの取り付け/ 프로세서 설치하기/ 安裝處理器/ 安装处理器

Youtube

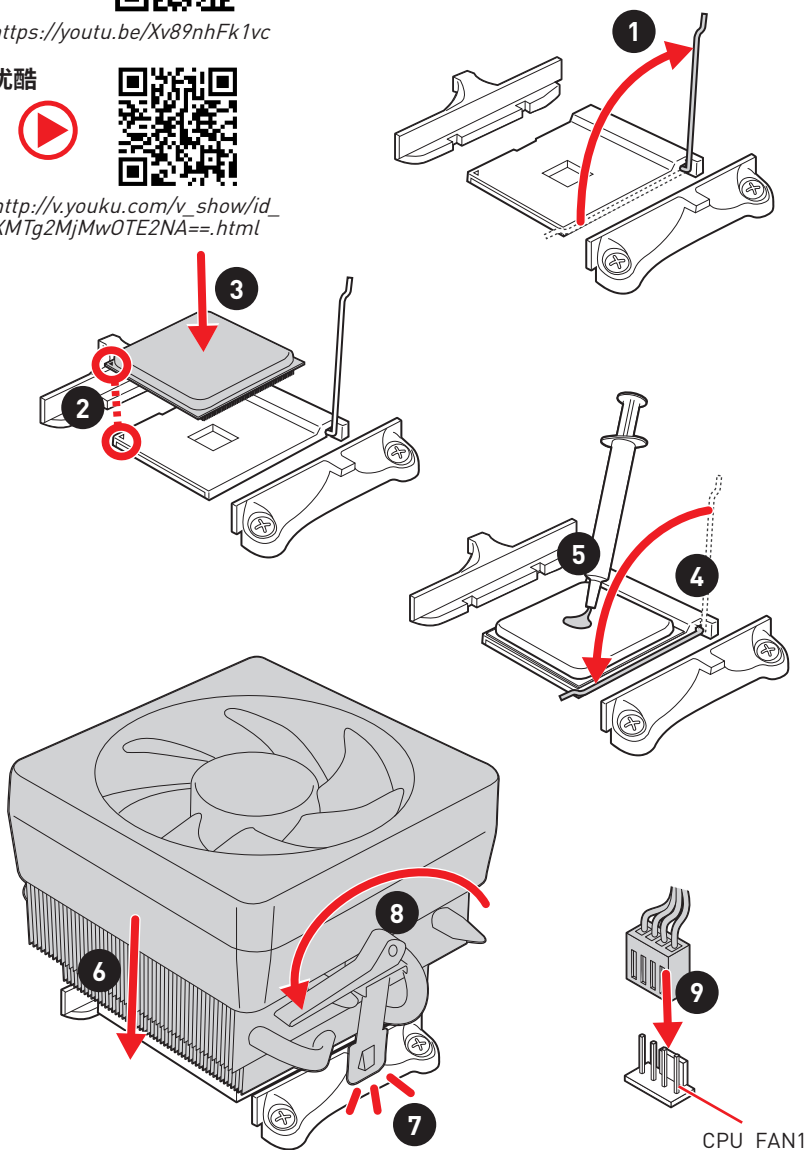


<https://youtu.be/Xv89nhFk1vc>

优酷



[http://v.youku.com/v\\_show/id\\_XMTg2MjMwOTE2NA==.html](http://v.youku.com/v_show/id_XMTg2MjMwOTE2NA==.html)



**! Important**

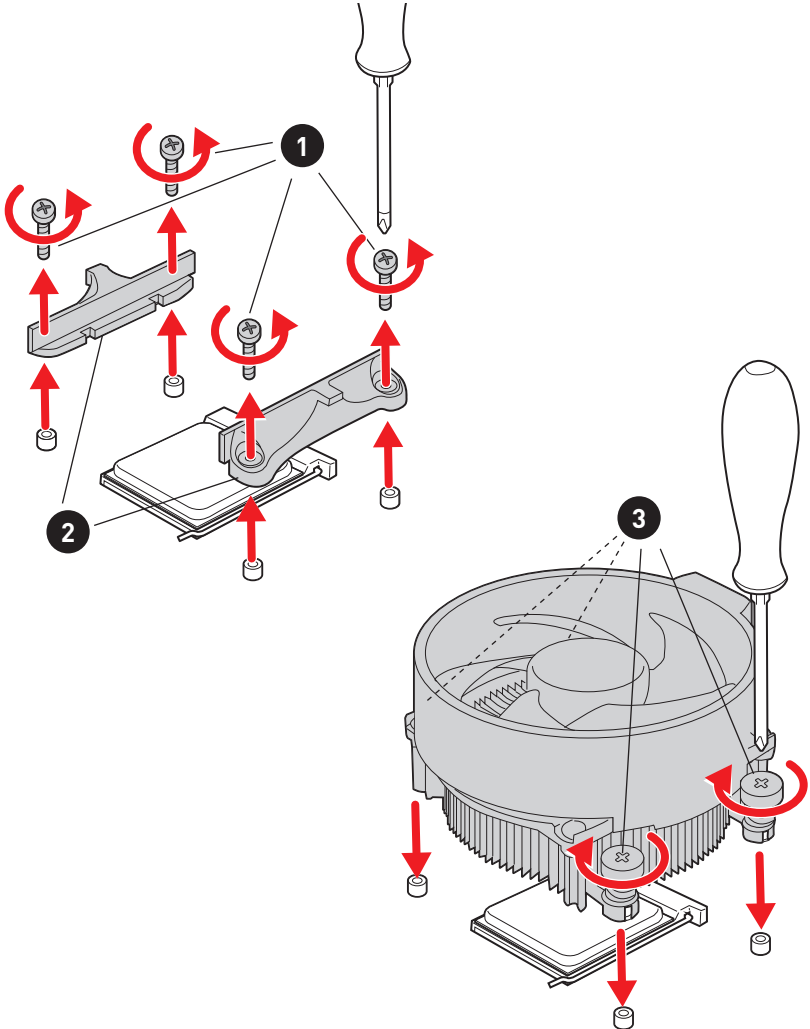
If you are installing the screw-type CPU heatsink, please follow the figure below to remove the retention module first and then install the heatsink.

スクリータイプのCPUクーラーを取り付ける場合は、下記の図のように、まずリテンションモジュールを外してからCPUクーラーを取り付けて下さい。

나사타입의 CPU 히트싱크를 장착 할 경우, 아래 그림과 같이 콜러 지지대를 제거 후 히트싱크를 장착 하십시오.

如果要安裝螺絲式的CPU散熱器，請遵照下圖步驟先移除固定模組，再安裝散熱器。

如果要安裝螺絲式CPU散熱器，請按照如下圖步驟先移除固定模塊，然後再安裝散熱器。



# Installing DDR4 memory/ DDR4メモリの取り付け/ DDR4 메모리 설치하기/ 安裝 DDR4 記憶體/ 安裝 DDR4 內存

Youtube

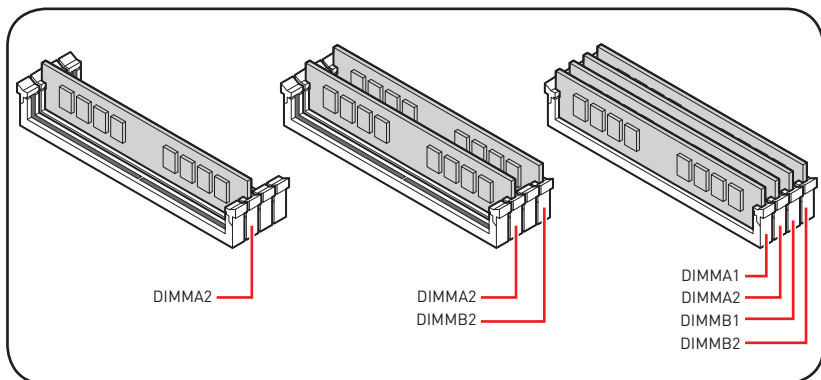
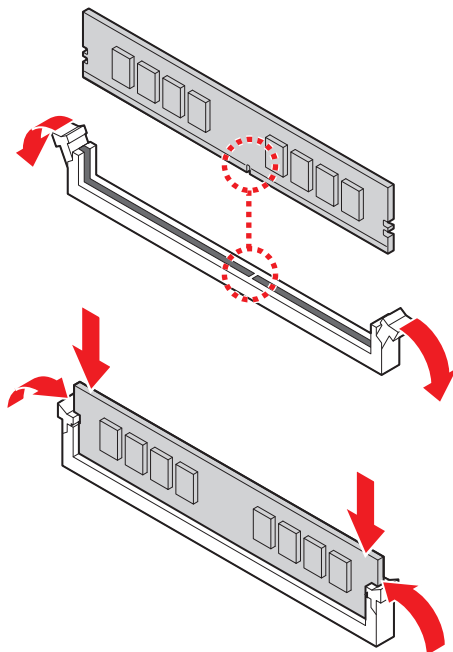


优酷



<http://youtu.be/T03aDrJPYqs>

[http://v.youku.com/v\\_show/id\\_XNzUyMTI5ODI4.html](http://v.youku.com/v_show/id_XNzUyMTI5ODI4.html)



# Connecting the Front Panel Header/ フロントパネルヘッダーの接続/ 전면 패널 커넥터 연결하기/ 連接前置面板針腳/ 连接前置面板接头

Youtube

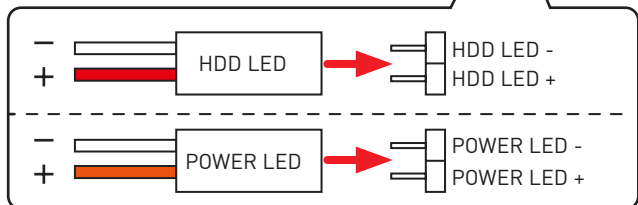
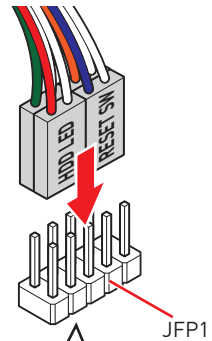
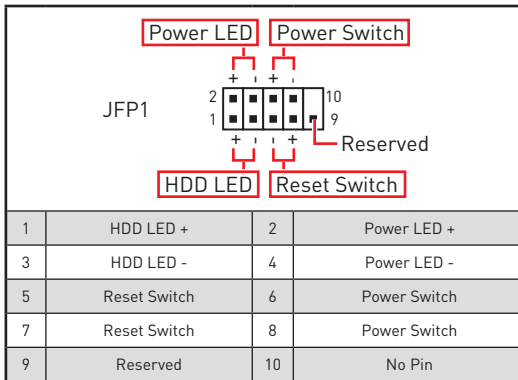
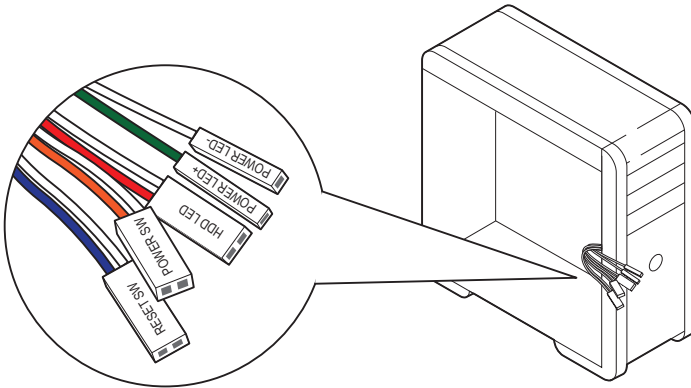


优酷

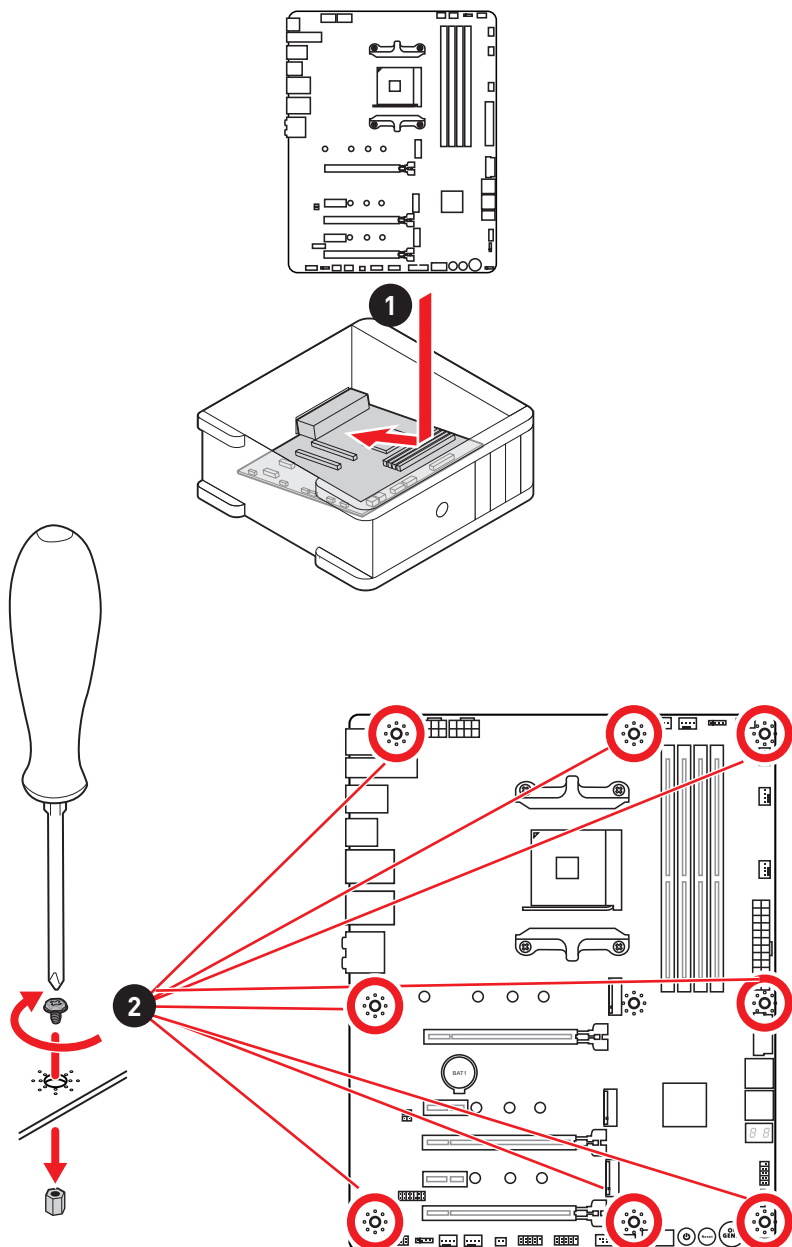


<http://youtu.be/DPELIdvNZUI>

[http://v.youku.com/v\\_show/id\\_XNjcyMTczMzM2.html](http://v.youku.com/v_show/id_XNjcyMTczMzM2.html)



## Installing the Motherboard/ マザーボードの取り付け/ 메인보드 설치하기/ 安裝主機板/ 安裝主板



# Connecting the Power Connectors/ 電源コネクターの接続/ 전원 커넥터 연결하기/ 插上電源接頭/ 连接电源接头

Youtube

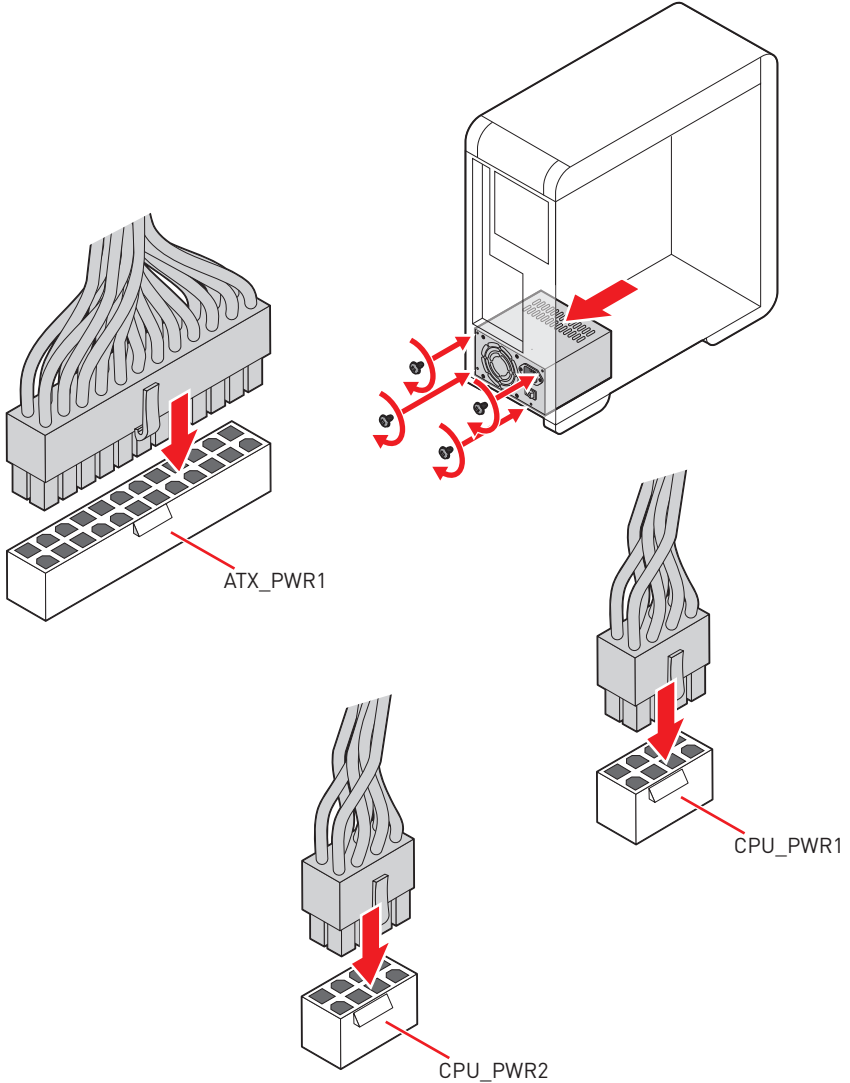


[http://youtu.be/gkDYyR\\_83I4](http://youtu.be/gkDYyR_83I4)

优酷



[http://v.youku.com/v\\_show/id\\_XNDkzODU0MDQw.html](http://v.youku.com/v_show/id_XNDkzODU0MDQw.html)



## Installing SATA Drives/ SATAドライブの取り付け/ SATA 드라이브 설치하기/ 安装 SATA 磁碟機/ 安装 SATA 设备

Youtube

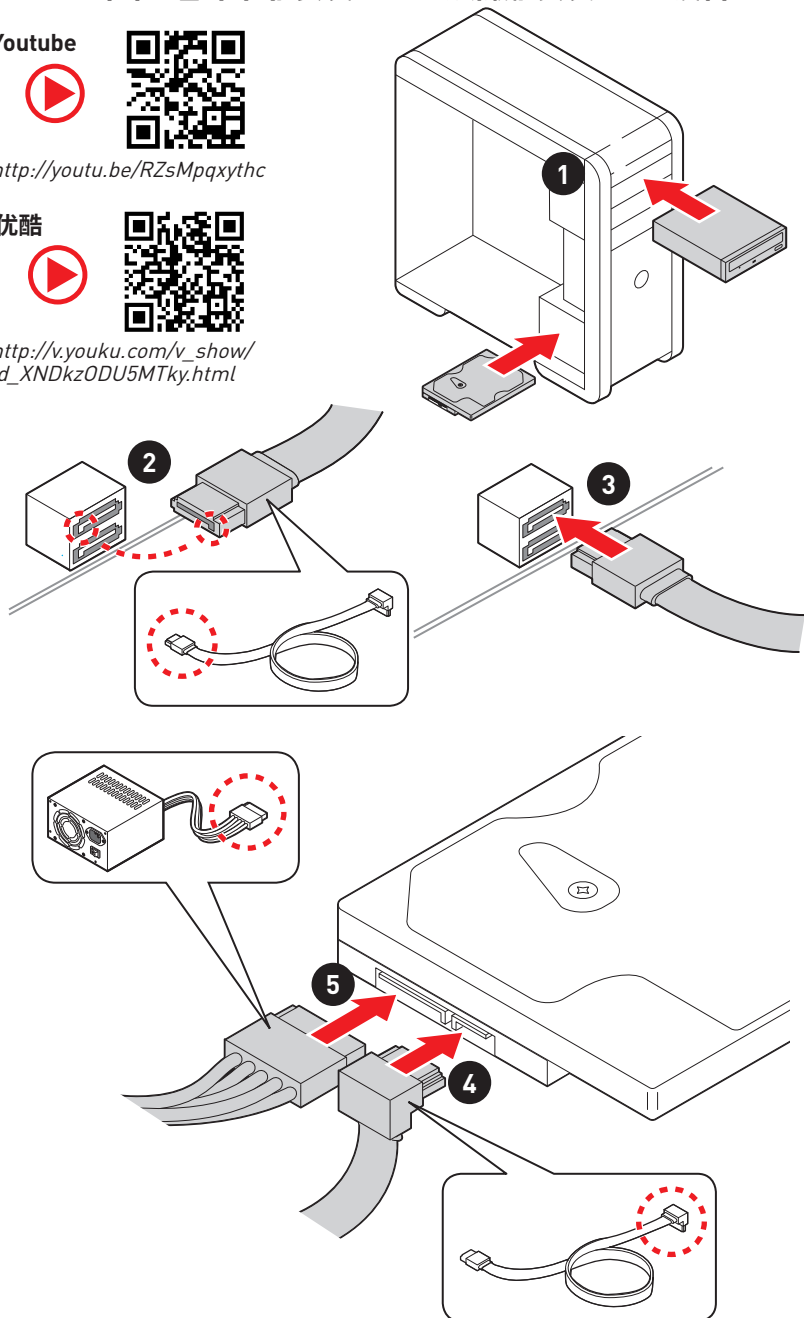


<http://youtu.be/RZsMpqxythc>

优酷



[http://v.youku.com/v\\_show/id\\_XNDkzODU5MTky.html](http://v.youku.com/v_show/id_XNDkzODU5MTky.html)





# Installing a Graphics Card/ グラフィックスクードの取り付け/ 그래픽 카드 설치하기 / 安裝顯示卡/ 安裝显卡

Youtube

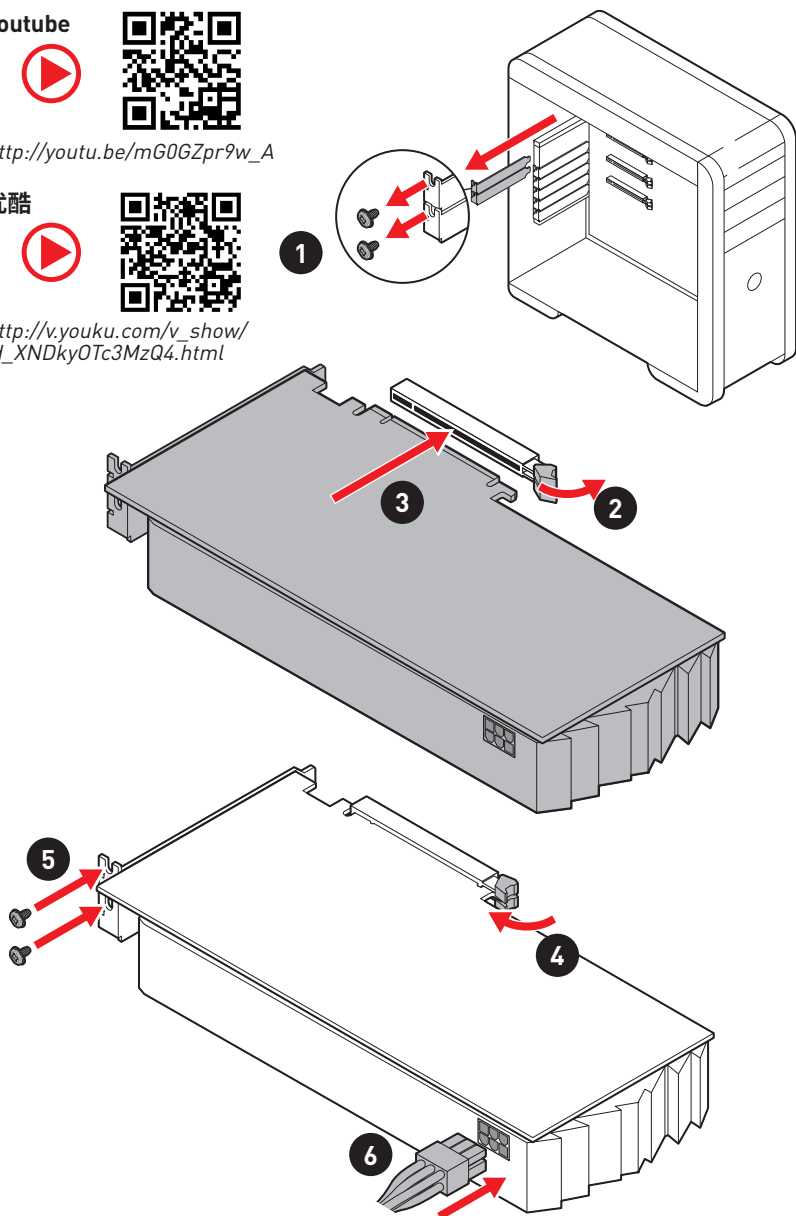


[http://youtu.be/mG0GZpr9w\\_A](http://youtu.be/mG0GZpr9w_A)

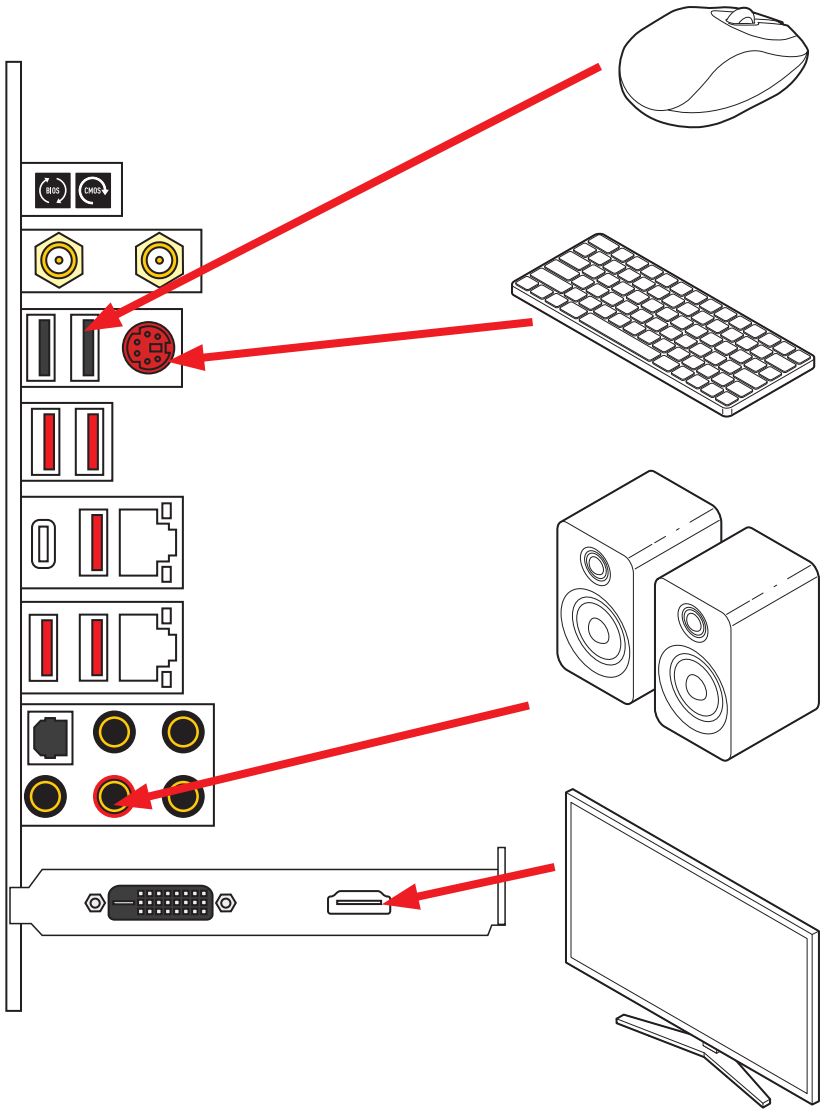
优酷



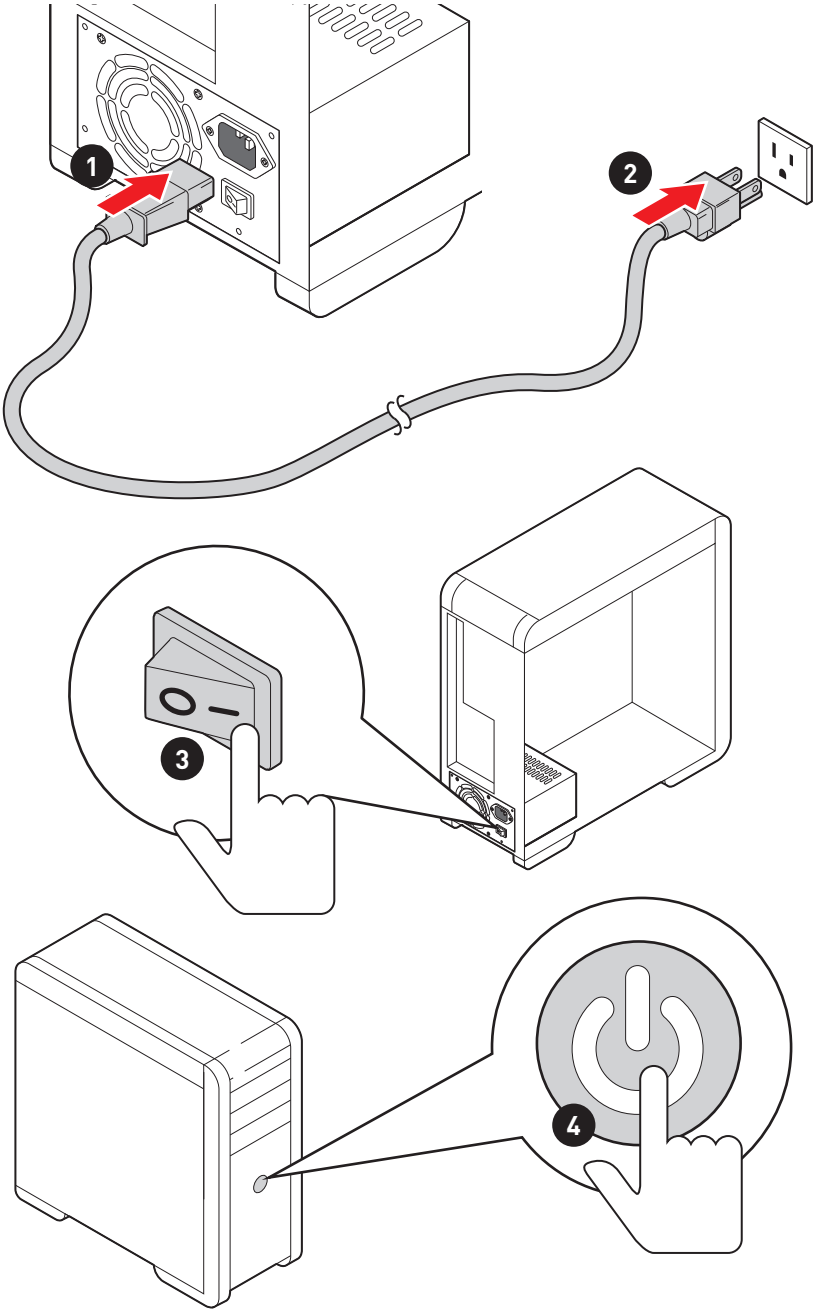
[http://v.youku.com/v\\_show/id\\_XNDkyOTc3MzQ4.html](http://v.youku.com/v_show/id_XNDkyOTc3MzQ4.html)



Connecting Peripheral Devices/ 周辺機器の接続/  
주변 장치 연결하기/ 連接周邊設備/ 连接外围设备



Power On/ 通電/ 전원 켜기/ 啟動電源/ 开机





# Contents

<b>Safety Information</b> .....	<b>3</b>
<b>Specifications</b> .....	<b>4</b>
JCORSAIR1 Connector Specification .....	11
<b>Package contents</b> .....	<b>11</b>
<b>Rear I/O Panel</b> .....	<b>12</b>
LAN Port LED Status Table.....	12
Audio Ports Configuration .....	12
Realtek Audio Console .....	13
Installing Antennas.....	15
<b>Overview of Components</b> .....	<b>16</b>
Processor Socket.....	17
DIMM Slots.....	18
PCI_E1~5: PCIe Expansion Slots.....	19
M2_1~3: M.2 Slots (Key M) .....	21
SATA1~4: SATA 6Gb/s Connectors .....	23
JFP1, JFP2: Front Panel Connectors .....	23
CPU_PWR1~2, ATX_PWR1: Power Connectors .....	24
OC1: GAME BOOST Knob .....	25
JAUD1: Front Audio Connector .....	26
JUSB1: USB 3.2 Gen 2 Type-C Connector .....	27
JUSB2~3: USB 3.2 Gen1 Connector .....	27
JUSB4~5: USB 2.0 Connectors.....	28
JTPM1: TPM Module Connector.....	28
CPU_FAN1, PUMP_FAN1, SYS_FAN1~5: Fan Connectors.....	29
JCI1: Chassis Intrusion Connector.....	30
JBAT1: Clear CMOS (Reset BIOS) Jumper .....	31
POWER1, RESET1: Power Button, Reset Button .....	31
JRGB1: RGB LED connector.....	32
JRAINBOW1~2: Addressable RGB LED connectors.....	33
JCORSAIR1: CORSAIR Connector .....	34
<b>Onboard LEDs</b> .....	<b>35</b>
EZ Debug LED.....	35
JPWRLD1: LED power input.....	35
Debug Code LED.....	35
Hexadecimal Character Table .....	36

Boot Phases.....	36
Debug Code LED Table .....	36
<b>Installing OS, Drivers &amp; Utilities .....</b>	<b>41</b>
Installing Windows® 10.....	41
Installing Drivers .....	41
Installing Utilities .....	41
<b>BIOS Setup .....</b>	<b>42</b>
Entering BIOS Setup.....	42
Resetting BIOS.....	43
Updating BIOS.....	43
EZ Mode .....	45
Advanced Mode .....	47
OC Menu.....	48

# Safety Information

- The components included in this package are prone to damage from electrostatic discharge (ESD). Please adhere to the following instructions to ensure successful computer assembly.
- Ensure that all components are securely connected. Loose connections may cause the computer to not recognize a component or fail to start.
- Hold the motherboard by the edges to avoid touching sensitive components.
- It is recommended to wear an electrostatic discharge (ESD) wrist strap when handling the motherboard to prevent electrostatic damage. If an ESD wrist strap is not available, discharge yourself of static electricity by touching another metal object before handling the motherboard.
- Store the motherboard in an electrostatic shielding container or on an anti-static pad whenever the motherboard is not installed.
- Before turning on the computer, ensure that there are no loose screws or metal components on the motherboard or anywhere within the computer case.
- Do not boot the computer before installation is completed. This could cause permanent damage to the components as well as injury to the user.
- If you need help during any installation step, please consult a certified computer technician.
- Always turn off the power supply and unplug the power cord from the power outlet before installing or removing any computer component.
- Keep this user guide for future reference.
- Keep this motherboard away from humidity.
- Make sure that your electrical outlet provides the same voltage as is indicated on the PSU, before connecting the PSU to the electrical outlet.
- Place the power cord such a way that people can not step on it. Do not place anything over the power cord.
- All cautions and warnings on the motherboard should be noted.
- If any of the following situations arises, get the motherboard checked by service personnel:
  - Liquid has penetrated into the computer.
  - The motherboard has been exposed to moisture.
  - The motherboard does not work well or you can not get it work according to user guide.
  - The motherboard has been dropped and damaged.
  - The motherboard has obvious sign of breakage.
- Do not leave this motherboard in an environment above 60°C (140°F), it may damage the motherboard.

# Specifications

<b>CPU</b>	Supports 2nd and 3rd Gen AMD Ryzen™ / Ryzen™ with Radeon™ Vega Graphics and 2nd Gen AMD Ryzen™ with Radeon™ Graphics Desktop Processors for Socket AM4
<b>Chipset</b>	AMD® X570 Chipset
<b>Memory</b>	<ul style="list-style-type: none"> <li>• 4x DDR4 memory slots, support up to 128GB*             <ul style="list-style-type: none"> <li>▪ 3rd Gen AMD Ryzen™ Processors support DDR4 1866/ 2133/ 2400/ 2667/ 2800/ 2933/ 3000/ 3066/ 3200 MHz by JEDEC, and 2667/ 2800/ 2933/ 3000/ 3066/ 3200/ 3466/ 3600/ 3733/ 3866/ 4000/ 4133/ 4266/ 4400/ 4533/ 4600 MHz by A-XMP OC MODE</li> <li>▪ 2nd Gen AMD Ryzen™ Processors, 1st and 2nd Gen AMD Ryzen™ with Radeon™ Vega Graphics Processors support DDR4 1866/ 2133/ 2400/ 2667/ 2800/ 2933/ 3000/ 3066/ 3200 MHz by JEDEC, and 2667/ 2800/ 2933/ 3000/ 3066/ 3200/ 3466/ 3600 MHz by A-XMP OC MODE</li> </ul> </li> <li>• Dual channel memory architecture</li> <li>• Supports non-ECC UDIMM memory</li> <li>• Supports ECC UDIMM memory (non-ECC mode)</li> <li>• Supports un-buffered memory</li> </ul> <p>* Please refer <a href="http://www.msi.com">www.msi.com</a> for more information on compatible memory.</p>
<b>Expansion Slots</b>	<ul style="list-style-type: none"> <li>• 2x PCIe 4.0/ 3.0 x16 slots (PCI_E1, PCI_E3)             <ul style="list-style-type: none"> <li>▪ 3rd Gen AMD Ryzen™ support PCIe 4.0 x16/x0, x8/x8 modes</li> <li>▪ 2nd Gen AMD Ryzen™ support PCIe 3.0 x16/x0, x8/x8 modes</li> <li>▪ Ryzen™ with Radeon™ Vega Graphics and 2nd Gen AMD Ryzen™ with Radeon™ Graphics support PCIe 3.0 x8 mode*</li> </ul> </li> <li>• 1x PCIe 4.0/ 3.0 x16 slot (PCI_E5, supports x4 mode)</li> <li>• 2x PCIe 4.0/ 3.0 x1 slots**</li> </ul> <p>* PCI_E3 slot is only available for 2nd and 3rd Gen AMD Ryzen™ processors.  ** The PCIe x1 slots can not be used simultaneously. PCI_E2 will be unavailable when installing the PCIe card in PCI_E4 slot.  ***The speeds may vary for different devices</p>
<b>Multi-GPU</b>	<ul style="list-style-type: none"> <li>• Supports 2-Way NVIDIA® SLI® Technology</li> <li>• Supports 3-Way AMD® CrossFire™ Technology</li> </ul>

Continued on next page



Continued from previous page

<b>LAN</b>	<p>1x Intel® WGI211AT Gigabit LAN controller  1x Realtek® RTL8125 2.5 Gbps LAN controller</p>
<b>Wireless LAN &amp; Bluetooth®</b>	<p>Intel® Wi-Fi 6 AX200</p> <ul style="list-style-type: none"> <li>▪ Supports 802.11 a/b/g/n/ac/ax, MU-MIMO Rx, 2.4GHz-5GHz (160MHz) up to 2.4Gbps</li> <li>▪ Supports Bluetooth® 5</li> <li>▪ The Wireless module is pre-install in the M2_4 (Key-E) slot</li> </ul>
<b>Audio</b>	<p>Realtek® ALC1220 Codec</p> <ul style="list-style-type: none"> <li>• 7.1-Channel High Definition Audio</li> <li>• Supports Optical S/PDIF output</li> </ul>
<b>Storage</b>	<p>AMD® X570 Chipset</p> <ul style="list-style-type: none"> <li>• 4x SATA 6Gb/s ports</li> <li>• 2x M.2 slots (M2_2/ M2_3, Key M)* <ul style="list-style-type: none"> <li>▪ Support PCIe 4.0/ 3.0 x4 and SATA 6Gb/s</li> <li>▪ Support 2242/ 2260 /2280 storage devices</li> </ul> </li> </ul> <p>AMD® Processor</p> <ul style="list-style-type: none"> <li>• 1x M.2 slot (M2_1, Key M)* <ul style="list-style-type: none"> <li>▪ Supports PCIe 4.0 x4 (3rd Gen AMD Ryzen™)</li> <li>▪ Supports PCIe 3.0 x4 (2nd Gen AMD Ryzen™/ Ryzen™ with Radeon™ Vega Graphics and 2nd Gen AMD Ryzen™ with Radeon™ Graphics)</li> <li>▪ Supports 2242/ 2260 /2280/ 22110 storage devices</li> </ul> </li> </ul> <p><small>*The speeds may vary for different devices</small></p>
<b>RAID</b>	<p>AMD® X570 Chipset</p> <ul style="list-style-type: none"> <li>• Supports RAID 0, RAID 1 and RAID 10</li> </ul>

Continued on next page

Continued from previous page

<b>USB</b>	<p>AMD® X570 Chipset</p> <ul style="list-style-type: none"><li>▪ 3x USB 3.2 Gen2 (SuperSpeed USB 10Gbps) ports (2 Type-A ports on the back panel, 1 Type-C internal connector)</li><li>▪ 4x USB 3.2 Gen1 (SuperSpeed USB) ports through the internal USB 3.2 Gen1 connectors</li><li>▪ 6x USB 2.0 (High-speed USB) ports (2 Type-A ports on the back panel, 4 ports through the internal USB 2.0 connectors)</li></ul> <p>AMD® Processor</p> <ul style="list-style-type: none"><li>▪ 2x USB 3.2 Gen2 (3rd Gen AMD Ryzen™) or USB 3.2 Gen1 (2nd Gen AMD Ryzen™/ Ryzen™ with Radeon™ Vega Graphics and 2nd Gen AMD Ryzen™ with Radeon™ Graphics) ports (1x Type-A &amp; 1x Type-C) on the back panel</li><li>▪ 2x USB 3.2 Gen1 (SuperSpeed USB) Type-A ports on the back panel</li></ul>
<b>I/O Controller</b>	NUVOTON NCT6797 Controller Chip
<b>Hardware Monitor</b>	<ul style="list-style-type: none"><li>• CPU/ System/Chipset temperature detection</li><li>• CPU/ System/Chipset fan speed detection</li><li>• CPU/ System/Chipset fan speed control</li></ul>
<b>Form Factor</b>	<ul style="list-style-type: none"><li>• ATX Form Factor</li><li>• 12 in. x 9.6 in. (30.5 cm x 24.4 cm)</li></ul>

Continued on next page


Continued from previous page

### Internal Connectors

- 1x 24-pin ATX main power connector
- 2x 8-pin ATX 12V power connectors
- 4x SATA 6Gb/s connectors
- 2x USB 2.0 connectors (support additional 4 USB 2.0 ports)
- 2x USB 3.2 Gen 1 connectors (support additional 4 USB 3.2 Gen 1 ports)
- 1x USB 3.2 Gen 2 Type-C Port
- 1x 4-pin CPU fan connector
- 5x 4-pin system fan connectors
- 1x 4-pin water-pump connector
- 1x Front panel audio connector
- 2x System panel connectors
- 1x TPM module connector
- 1x Clear CMOS jumper
- 1x Chassis Intrusion connector
- 1x Power button
- 1x Reset button
- 1x Game Boost knob
- 1x 4-pin RGB LED connector
- 2x 3-pin RAINBOW LED connectors
- 1x 3-pin CORSAIR connector
- 1x 2-pin LED power input
- 1x Debug Code LED
- 4x EZ Debug LEDs

Continued on next page

Continued from previous page

<b>Back Panel Connectors</b>	<ul style="list-style-type: none"><li>• 1x Clear CMOS Button</li><li>• 1x Flash BIOS Button</li><li>• 1x WiFi/ Bluetooth module</li><li>• 1x PS/2 keyboard/ mouse combo port</li><li>• 2x USB 2.0 ports</li><li>• 2x USB 3.2 Gen 1 ports</li><li>• 2x LAN(RJ45) ports</li><li>• 1x USB 3.2 Gen 2/ 1 Type C port</li><li>• 1x USB 3.2 Gen 2/ 1 Type A port</li><li>• 2x USB 3.2 Gen 2 Type A ports</li><li>• 5x OFC audio jacks</li><li>• 1x Optical S/PDIF Out connector</li></ul>
<b>BIOS Features</b>	<ul style="list-style-type: none"><li>• 1x 256 Mb flash</li><li>• UEFI AMI BIOS</li><li>• ACPI 6.1, SM BIOS 2.8</li><li>• Multi-language</li></ul>
<b>Software</b>	<ul style="list-style-type: none"><li>• Drivers</li><li>• DRAGON CENTER</li><li>• Nahimic Audio</li><li>• CPU-Z MSI GAMING</li><li>• MSI App Player (BlueStacks)</li><li>• Google Chrome™ ,Google Toolbar, Google Drive</li><li>• Norton™ Internet Security Solution</li></ul>
<b>Dragon Center Features</b>	<ul style="list-style-type: none"><li>• DRAGON OPTIMIZATION</li><li>• OC Performance</li><li>• Hardware Monitor</li><li>• True Color</li><li>• LAN Manager</li><li>• Mystic Light</li><li>• Live Update</li></ul> <div data-bbox="727 1129 855 1257"></div> <div data-bbox="657 1273 905 1345"><p>Please refer to <a href="http://download.msi.com/manual/mb/DRAGONCENTER2.pdf">http://download.msi.com/manual/mb/DRAGONCENTER2.pdf</a> for more details.</p></div>

Continued on next page

Continued from previous page

## Special Features

- Audio
  - Audio Boost HD
  - Nahimic3
  - Voice Boost
- Network
  - GAMING LAN with Gaming LAN Manager
  - Dual LAN (2.5G+1G)
  - Intel WiFi
- Storage
  - Lightning Gen 4 M.2
  - Triple M.2
- Cooling
  - Zero Frozr Technology
  - Frozr Heatsink Design
  - Propeller Blade technology
  - M.2 Shield Frozr
  - Pump Fan
  - Gaming Fan Control
- LED
  - Mystic Light Infinity
  - Mystic Light 3
  - Mystic Light Extension (RGB)
  - Mystic Light Extension (RAINBOW)
  - Mystic Light Extension (CORSAIR)
  - Mystic light SYNC
  - EZ DEBUG LED
- Protection
  - DDR4 Steel Armor
  - PCI-E Steel Armor
  - Pre-installed IO shielding

Continued on next page

Continued from previous page

## Special Features

- Performance
  - Lightning Gen 4 PCI-E Slot
  - Multi GPU-SLI Technology
  - Multi GPU-CrossFire Technology
  - DDR4 Boost
  - Core Boost
  - GAME Boost (8 modes)
  - GAME Boost
  - OC Engine (Clock gen)
  - USB with type A+C
  - AMD Turbo USB 3.2 Gen 2
  - Front USB Type-C
  - Dual CPU Power
- Gamer Experience
  - DRAGON CENTER
  - GAMING HOTKEY
  - GAMING MOUSE Control
  - USB SPEED UP
  - Total Fan control
  - Live Update
  - APP Player
- BIOS
  - Click BIOS 5
  - Flash BIOS Button

## JCORSAIR1 Connector Specification

Supporting CORSAIR RGB Products	Maximum connection
Lighting PRO RGB LED Strip	20* * 20% brightness is recommended when the number of LED strips exceeds 8.
HD120 RGB Fan	6
SP120 RGB Fan	6
LL120 RGB Fan	6

## Package contents

Please check the contents of your motherboard package. It should contain:

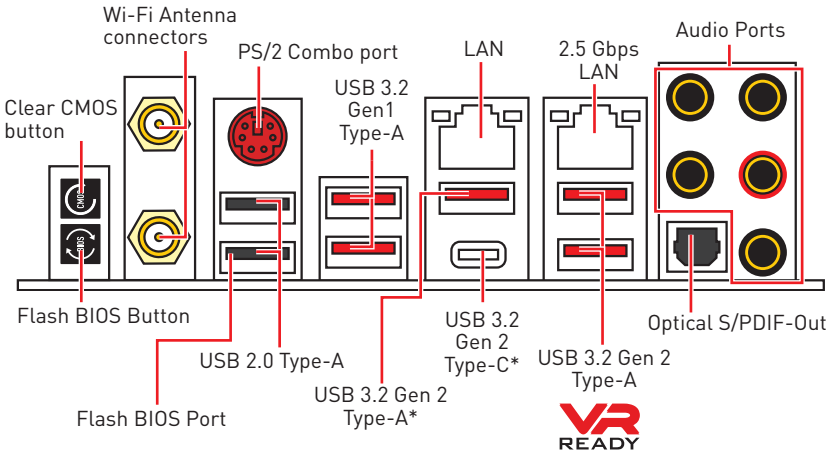
Motherboard	MEG X570 ACE	
Cable	SATA 6Gb/s Cables	4
	1 to 2 RGB LED Extension Y Cable 80cm	1
	CORSAIR RGB LED Extension Cable 50cm	1
	RAINBOW RGB LED Extension Cable 80cm	1
Accessories	Antenna Set	1
	8.5H M.2 screws	3
	Case Badge	1
	SATA Cable Labels	1
	Product Registration Card	1
Application DVD	Driver DVD	1
Documentation	User Manual	1
	Quick Installation Guide	1



### **Important**

*If any of the above items are damaged or missing, please contact your retailer.*

# Rear I/O Panel



*\*USB 3.2 Gen2 (3rd Gen AMD Ryzen™) or USB 3.2 Gen1 (2nd Gen AMD Ryzen™/ Ryzen™ with Radeon™ Vega Graphics and 2nd Gen AMD Ryzen™ with Radeon™ Graphics)*

- **Clear CMOS button** - Power off your computer. Press and hold the Clear CMOS button for about 5-10 seconds to reset BIOS to default values.
- **Flash BIOS Port/ Button** - Please refer to page 44 for Updating BIOS with Flash BIOS Button.

## LAN Port LED Status Table

Link/ Activity LED		Speed LED												
Status	Description													
Off	No link	<table border="1"> <thead> <tr> <th>Status</th> <th>Gigabit LAN</th> <th>2.5 Gbps LAN</th> </tr> </thead> <tbody> <tr> <td>Off</td> <td>10 Mbps</td> <td>10 Mbps</td> </tr> <tr> <td>Green</td> <td>100 Mbps</td> <td>100 Mbps / 1 Gbps</td> </tr> <tr> <td>Orange</td> <td>1 Gbps</td> <td>2.5 Gbps</td> </tr> </tbody> </table>	Status	Gigabit LAN	2.5 Gbps LAN	Off	10 Mbps	10 Mbps	Green	100 Mbps	100 Mbps / 1 Gbps	Orange	1 Gbps	2.5 Gbps
Status	Gigabit LAN		2.5 Gbps LAN											
Off	10 Mbps		10 Mbps											
Green	100 Mbps		100 Mbps / 1 Gbps											
Orange	1 Gbps	2.5 Gbps												
Yellow	Linked													
Blinking	Data activity													

## Audio Ports Configuration

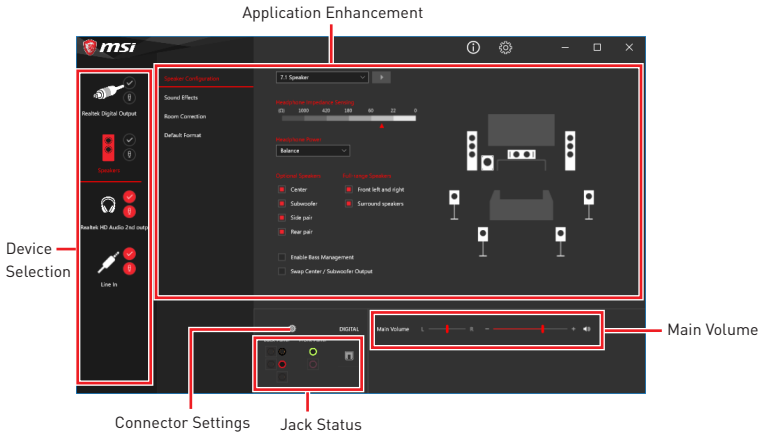
Audio Ports	Channel			
	2	4	6	8
Center/ Subwoofer Out			●	●
Rear Speaker Out		●	●	●
Line-In/ Side Speaker Out				●
Line-Out/ Front Speaker Out	●	●	●	●
Mic In				

(●: connected, Blank: empty)



## Realtek Audio Console

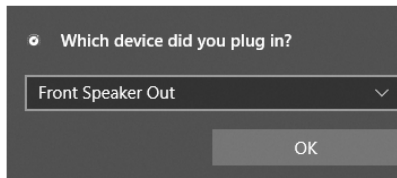
After Realtek Audio Console is installed. You can use it to change sound settings to get better sound experience.



- **Device Selection** - allows you to select a audio output source to change the related options. The **check** sign indicates the devices as default.
- **Application Enhancement** - the array of options will provide you a complete guidance of anticipated sound effect for both output and input device.
- **Main Volume** - controls the volume or balance the right/left side of the speakers that you plugged in front or rear panel by adjust the bar.
- **Jack Status** - depicts all render and capture devices currently connected with your computer.
- **Connector Settings** - configures the connect link settings.

### Auto popup dialog

When you plug into a device at an audio jack, a dialogue window will pop up asking you which device is current connected.

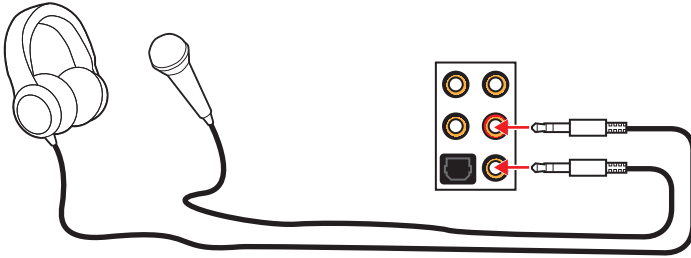


Each jack corresponds to its default setting as shown on the next page.

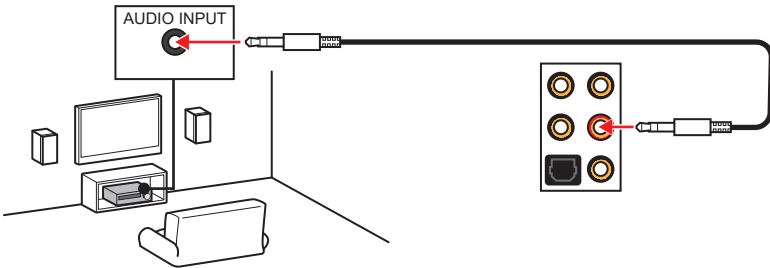


*The pictures above for reference only and may vary from the product you purchased.*

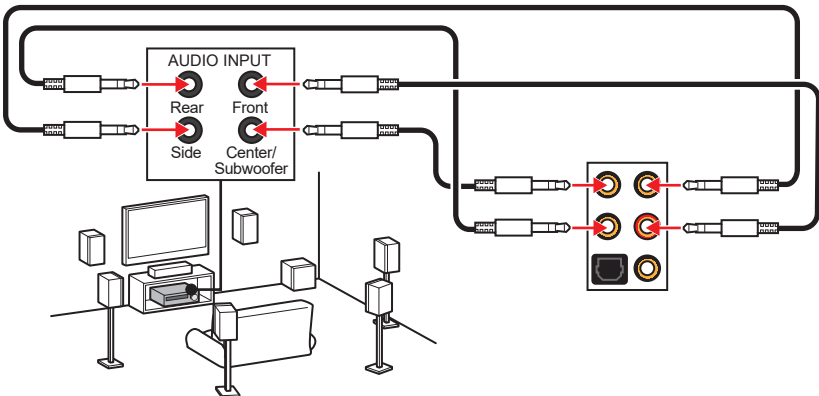
### Audio jacks to headphone and microphone diagram



### Audio jacks to stereo speakers diagram

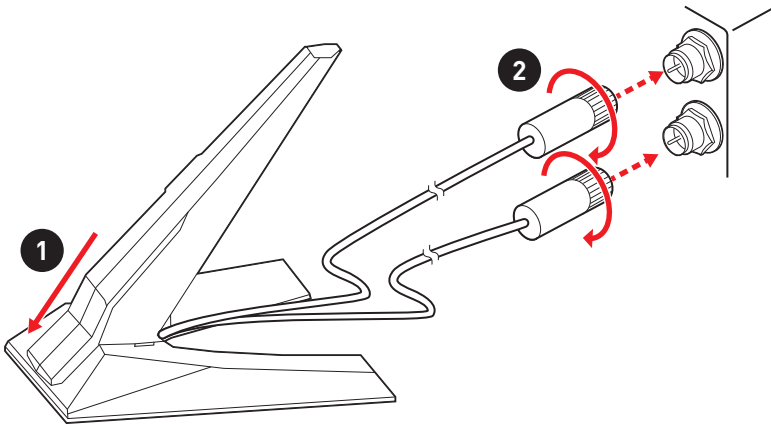


### Audio jacks to 7.1-channel speakers diagram

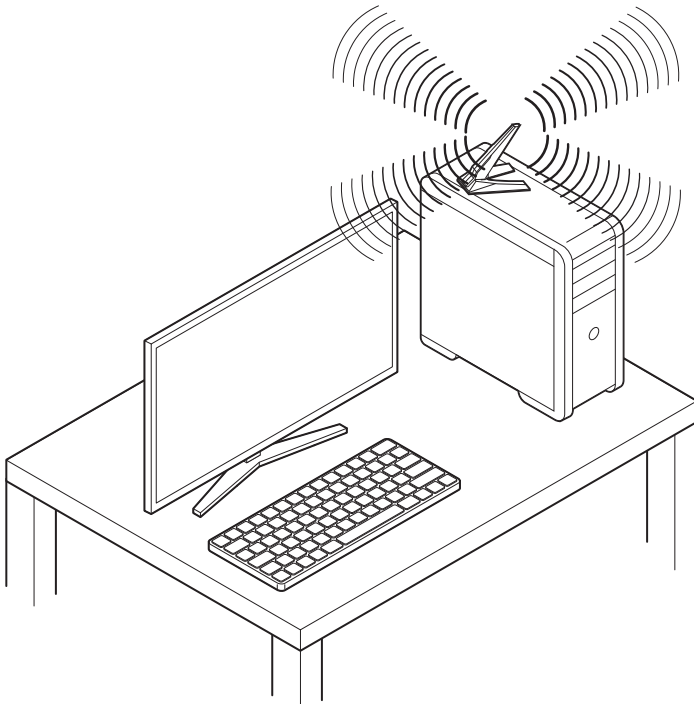


## Installing Antennas

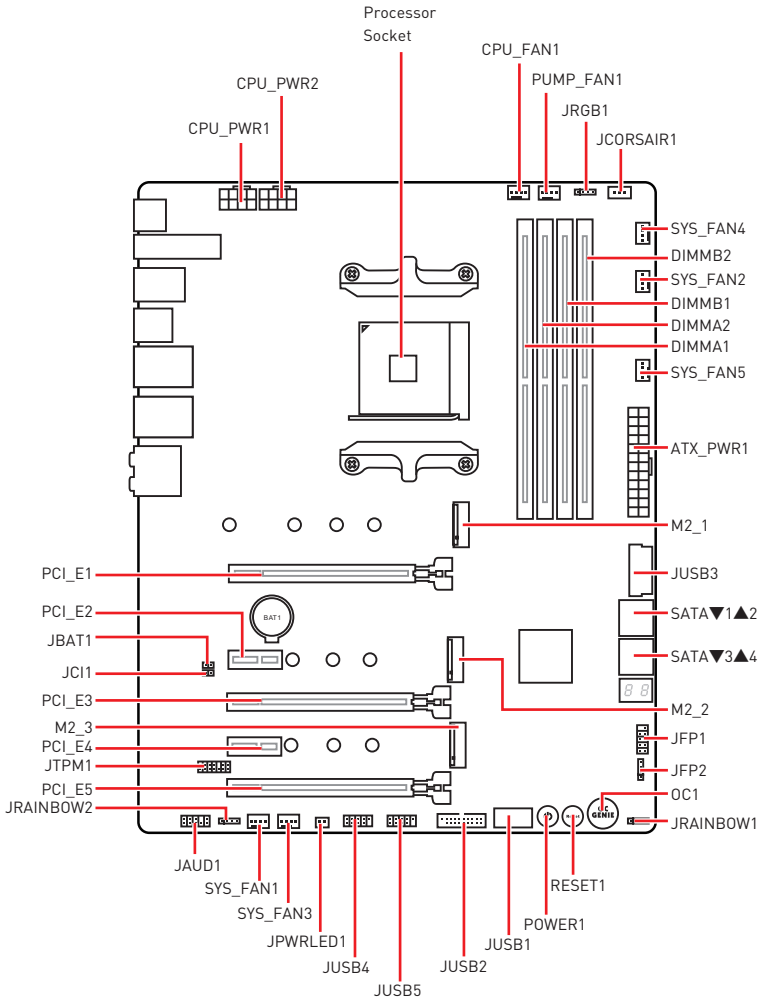
1. Combine the antenna with the base.
2. Screw two antenna cables tight to the WiFi antenna connectors as shown.



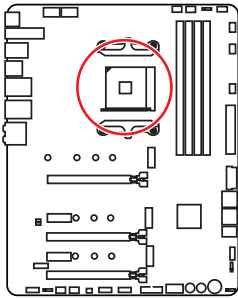
3. Place the antenna as high as possible.



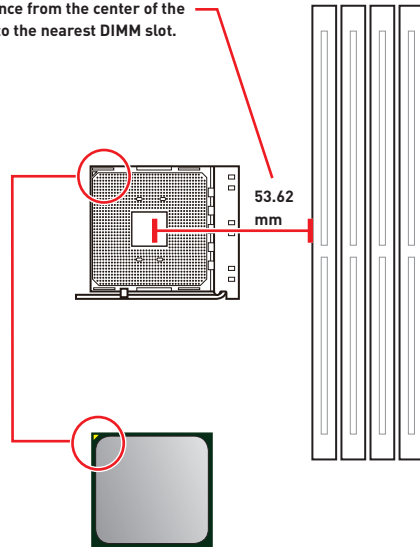
# Overview of Components



## Processor Socket



Distance from the center of the CPU to the nearest DIMM slot.



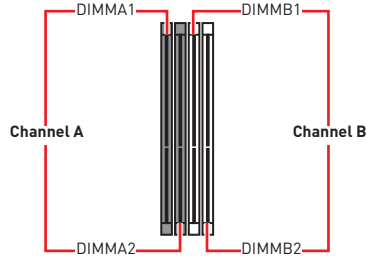
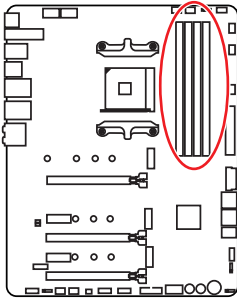
### Introduction to the AM4 processor

The surface of the AM4 processor has a yellow triangle to assist in correctly lining up the processor for motherboard placement. The yellow triangle is the Pin 1 indicator.

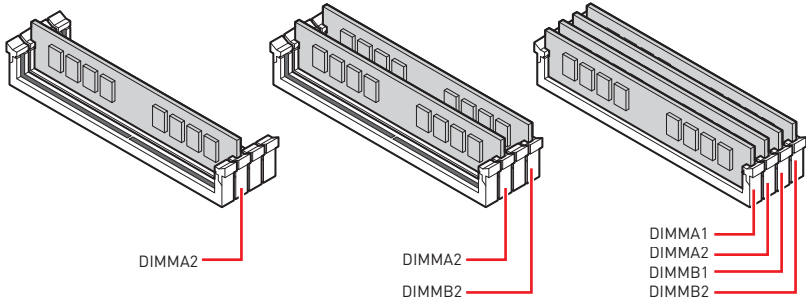
#### **Important**

- When changing the processor, the system configuration could be cleared and reset BIOS to default values, due to the AM4 processor's architecture.
- Always unplug the power cord from the power outlet before installing or removing the CPU.
- When installing a CPU, always remember to install a CPU heatsink. A CPU heatsink is necessary to prevent overheating and maintain system stability.
- Confirm that the CPU heatsink has formed a tight seal with the CPU before booting your system.
- Overheating can seriously damage the CPU and motherboard. Always make sure the cooling fans work properly to protect the CPU from overheating. Be sure to apply an even layer of thermal paste (or thermal tape) between the CPU and the heatsink to enhance heat dissipation.
- If you purchased a separate CPU and heatsink/ cooler, Please refer to the documentation in the heatsink/ cooler package for more details about installation.
- This motherboard is designed to support overclocking. Before attempting to overclock, please make sure that all other system components can tolerate overclocking. Any attempt to operate beyond product specifications is not recommended. MSI® does not guarantee the damages or risks caused by inadequate operation beyond product specifications.

## DIMM Slots



## Memory module installation recommendation



### **Important**

- Always insert memory modules in the **DIMMA2** slot first.
- Due to chipset resource usage, the available capacity of memory will be a little less than the amount of installed.
- Based on processor specification, the Memory DIMM voltage below 1.35V is suggested to protect the processor.
- Some memory modules may operate at a lower frequency than the marked value when overclocking due to the memory frequency operates dependent on its Serial Presence Detect (SPD). Go to BIOS and find the **DRAM Frequency!** to set the memory frequency if you want to operate the memory at the marked or at a higher frequency.
- It is recommended to use a more efficient memory cooling system for full DIMMs installation or overclocking.
- The stability and compatibility of installed memory module depend on installed CPU and devices when overclocking.
- Due to AM4 processor/ memory controller official specification limitation, the frequency of memory modules may operate lower than the marked value under the default state. Please refer [www.msi.com](http://www.msi.com) for more information on compatible memory.

## PCI\_E1~5: PCIe Expansion Slots

Slots	3rd Gen AMD Ryzen™	2nd Gen AMD Ryzen™	Ryzen™ with Radeon™ Vega Graphics and 2nd Gen AMD Ryzen™ with Radeon™ Graphics
PCI_E1	PCIe 4.0 x16	PCIe 3.0 x16	PCIe 3.0 x8
PCI_E2	PCIe 4.0 x1	PCIe 3.0 x1	PCIe 3.0 x1
PCI_E3	PCIe 4.0 x8	PCIe 3.0 x8	Unavailable
PCI_E4	PCIe 4.0 x1	PCIe 3.0 x1	PCIe 3.0 x1
PCI_E5	PCIe 4.0 x4	PCIe 3.0 x4	PCIe 3.0 x4



### Important

- If you install a large and heavy graphics card, you need to use a tool such as **MSI Gaming Series Graphics Card Bolster** to support its weight to prevent deformation of the slot.
- For a single PCIe x16 expansion card installation with optimum performance, using the **PCI\_E1** slot is recommended.
- When adding or removing expansion cards, always turn off the power supply and unplug the power supply power cable from the power outlet. Read the expansion card's documentation to check for any necessary additional hardware or software changes.
- The PCIe x1 slots can not be used simultaneously. PCI\_E2 will be unavailable when installing the PCIe card in PCI\_E4 slot.

### PCIe bandwidth table

Please refer the table below to install the PCIe devices.

#### For 3rd Gen AMD Ryzen™

Slot	Single		2-Way		3-Way*	
PCI_E1 (CPU)	@4.0 x16		@4.0 x8		@4.0 x8	
PCI_E2 (PCH)	4.0 x1	—	4.0 x1	—	4.0 x1	—
PCI_E3 (CPU)	—		@4.0 x8		@4.0 x8	
PCI_E4 (PCH)	—	4.0 x1	—	4.0 x1	—	4.0 x1
PCI_E5 (PCH)	4.0 x4		4.0 x4		@4.0 x4	

(—: unavailable, @: graphics card, \*: CrossFire only)

**For 2nd Gen AMD Ryzen™**

Slot	Single		2-Way		3-Way*	
PCI_E1 (CPU)	Ⓜ3.0 x16		Ⓜ3.0 x8		Ⓜ3.0 x8	
PCI_E2 (PCH)	3.0 x1	—	3.0 x1	—	3.0 x1	—
PCI_E3 (CPU)	—		Ⓜ3.0 x8		Ⓜ3.0 x8	
PCI_E4 (PCH)	—	3.0 x1	—	3.0 x1	—	3.0 x1
PCI_E5 (PCH)	3.0 x4		3.0 x4		Ⓜ3.0 x4	

(—: unavailable, Ⓜ: graphics card, \*: CrossFire only)

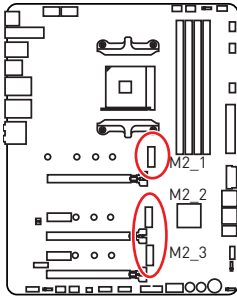
**For Ryzen™ with Radeon™ Vega Graphics and 2nd Gen AMD Ryzen™ with Radeon™ Graphics**

Slot	Single		2-Way*	
PCI_E1 (CPU)	Ⓜ3.0 x8		Ⓜ3.0 x8	
PCI_E2 (PCH)	3.0 x1	—	3.0 x1	—
PCI_E3 (CPU)	—		—	
PCI_E4 (PCH)	—	3.0 x1	—	3.0 x1
PCI_E5 (PCH)	3.0 x4		Ⓜ3.0 x4	

(—: unavailable, Ⓜ: graphics card, \*: CrossFire only)



## M2\_1~3: M.2 Slots (Key M)

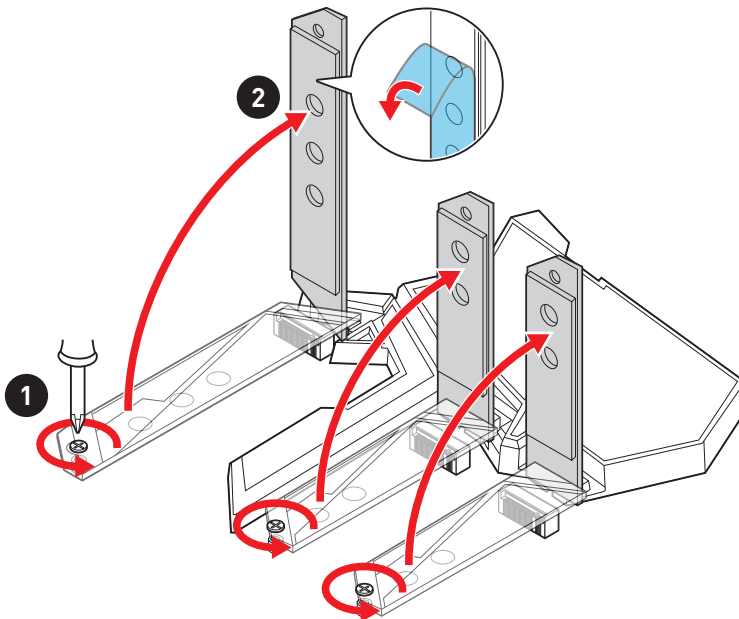


The following table describes the relationship between the M.2 slots and the PCIe bandwidth of the processors.

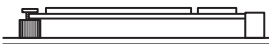
Slots	3rd Gen AMD Ryzen™	2nd Gen AMD Ryzen™	Ryzen™ with Radeon™ Vega Graphics and 2nd Gen AMD Ryzen™ with Radeon™ Graphics
M2_1	PCIe 4.0 x4	PCIe 3.0 x4	PCIe 3.0 x4
M2_2	PCIe 4.0 x4	PCIe 3.0 x4	PCIe 3.0 x4
M2_3	PCIe 4.0 x4	PCIe 3.0 x4	PCIe 3.0 x4

### Installing M.2 module

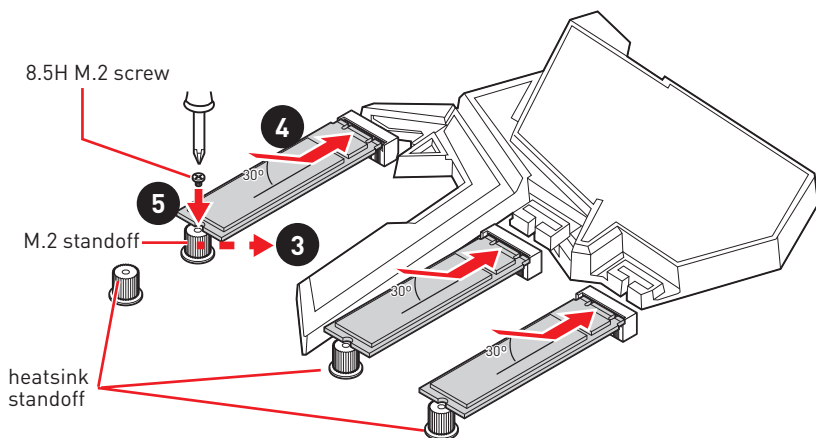
1. Loosen the screws of M.2 SHIELD FROZR heatsink.
2. Lift the M.2 SHIELD FROZR heatsink and remove the protective films from the thermal pads.



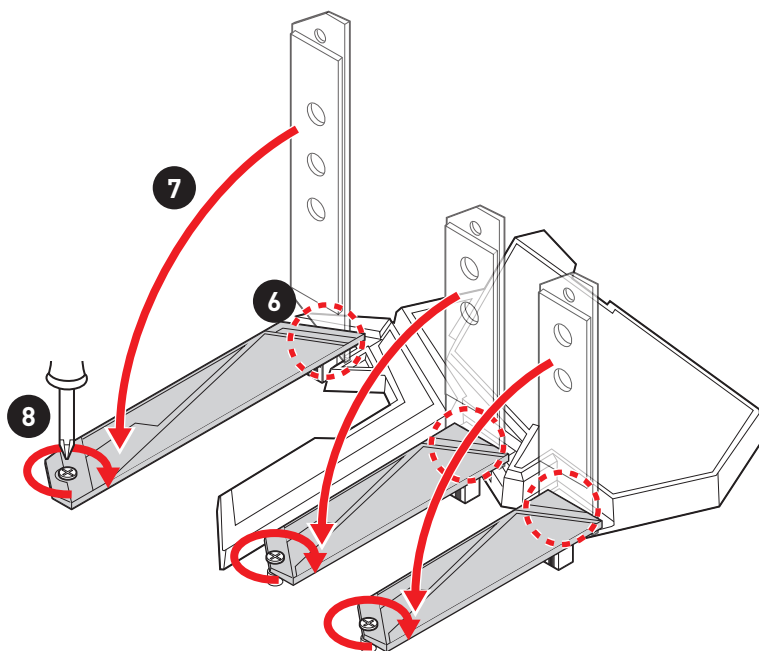
3. Move and fasten the M.2 standoff to the appropriate position for your M.2 SSD. Please make sure there is no M.2 standoff underneath the M.2 SSD to avoid damage to it.



4. Insert your M.2 SSDs into the M.2 slots at a 30-degree angle.
5. If the M.2 SSD is shorter than the M.2 SHIELD FROZR heatsink, please secure the M.2 SSD in place with 8.5H M.2 screw. If the length of M.2 SSD equals the M.2 SHIELD FROZR heatsink, please skip this step.

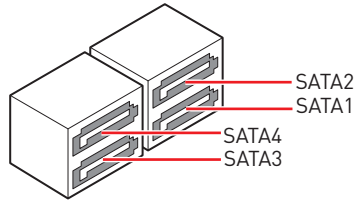
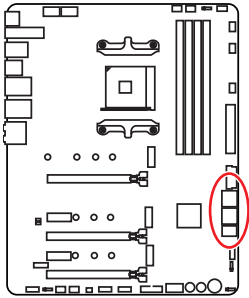


6. Insert the M.2 SHIELD FROZR heatsink shaft into the groove.
7. Push the M.2 SHIELD FROZR heatsink down.
8. Secure the M.2 SHIELD FROZR heatsink to the heatsink standoff.



## SATA1~4: SATA 6Gb/s Connectors

These connectors are SATA 6Gb/s interface ports. Each connector can connect to one SATA device.

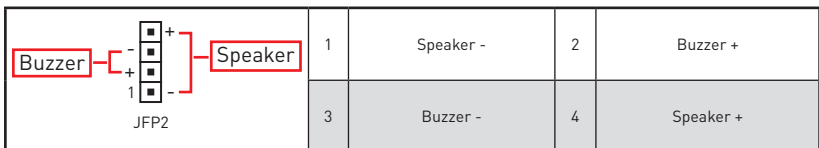
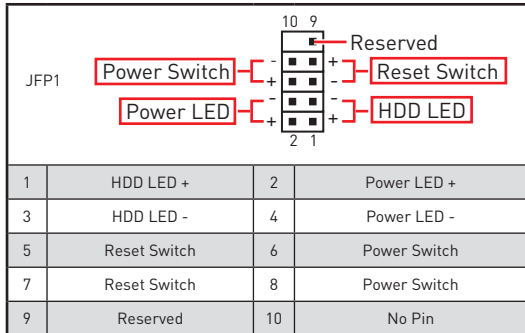
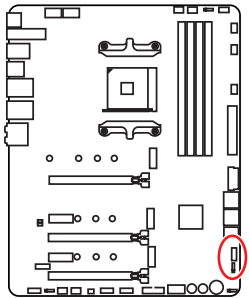


### Important

- Please do not fold the SATA cable at a 90-degree angle. Data loss may result during transmission otherwise.
- SATA cables have identical plugs on either sides of the cable. However, it is recommended that the flat connector be connected to the motherboard for space saving purposes.

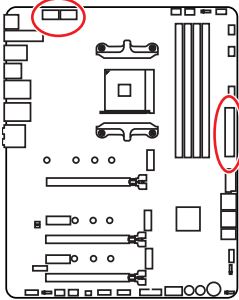
## JFP1, JFP2: Front Panel Connectors

These connectors connect to the switches and LEDs on the front panel.



## CPU\_PWR1~2, ATX\_PWR1: Power Connectors

These connectors allow you to connect an ATX power supply.



1	Ground	5	+12V
2	Ground	6	+12V
3	Ground	7	+12V
4	Ground	8	+12V

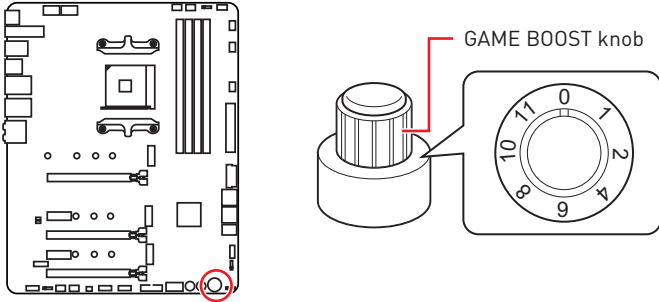
1	+3.3V	13	+3.3V
2	+3.3V	14	-12V
3	Ground	15	Ground
4	+5V	16	PS-ON#
5	Ground	17	Ground
6	+5V	18	Ground
7	Ground	19	Ground
8	PWR OK	20	Res
9	5VSB	21	+5V
10	+12V	22	+5V
11	+12V	23	+5V
12	+3.3V	24	Ground

### **Important**

Make sure that all the power cables are securely connected to a proper ATX power supply to ensure stable operation of the motherboard.

## OC1: GAME BOOST Knob

This knob allows you to manually select a stage from number 0 (default) to number 11 (extreme) for overlocking the processor. The processor's voltage and frequency will be automatically adjusted after you power on your computer. This function will only be available if the installed processor supports this function.



### Using GAME BOOST Knob

To setup the GAME BOOST knob, take the following steps:

1. Set the GAME BOOST knob to hardware mode in BIOS Setup.
2. Power off the computer.
3. Rotate the GAME BOOST knob to select the overlocking stage as you desire.

Stage	CPU Frequency [GHz]					
	Ryzen 7		Ryzen 5			Ryzen 3
	2700X	2700	2600X	2600	2400G	2200G
0	3.7	3.2	3.6	3.4	3.6	3.2
1	4.1	3.6	4	3.8	3.8	3.6
2	4.15	3.65	4.05	3.85	3.85	3.65
4	4.2	3.7	4.1	3.9	3.9	3.7
6	4.25	3.75	4.15	3.95	3.95	3.75
8	4.3	3.8	4.2	4	4	3.8
10	4.35	3.85	4.25	4.05	4.05	3.85
11	4.4	3.9	4.3	4.1	4.1	3.9

4. Power on and then GAME BOOST will automatically overclock processor depending on the stage you selected.

To disable GAME BOOST:

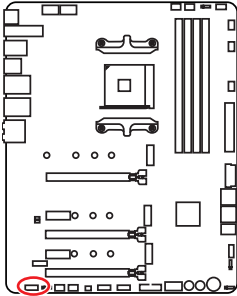
1. Set the GAME BOOST knob to HW mode in BIOS Setup.
2. Power off the computer.
3. Rotate the GAME BOOST knob to 0 and then power on. The configuration parameters will be returned to default values.

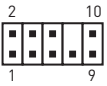
## Important

- You can also control the GAME BOOST function in **BIOS Setup** or with **MSI DRAGON CENTER** software.
- In order to optimize performance and improve system stability, when you activate the GAME BOOST function, please leave the settings in the **BIOS > OC** menu unchanged.
- The success of overclocking depends on the components of your computer.
- We do not guarantee the GAME BOOST overclocking range or the damages/ risks caused by overclocking behavior.
- MSI components are recommended for better compatibility when using GAME BOOST function.

## JAUD1: Front Audio Connector

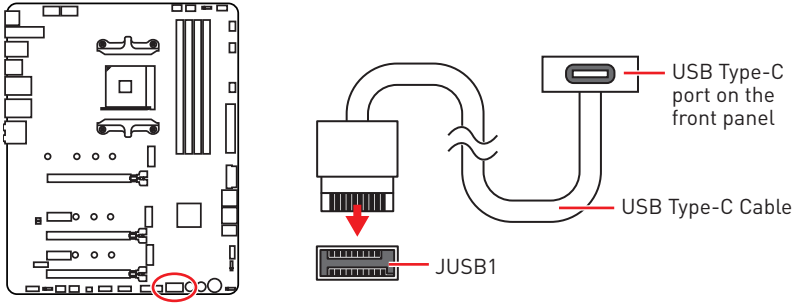
This connector allows you to connect audio jacks on the front panel.



			
1	MIC L	2	Ground
3	MIC R	4	NC
5	Head Phone R	6	MIC Detection
7	SENSE_SEND	8	No Pin
9	Head Phone L	10	Head Phone Detection

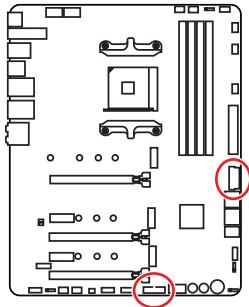
## JUSB1: USB 3.2 Gen 2 Type-C Connector

This connector allows you to connect USB 3.2 Gen 2 Type-C connector on the front panel. The connector possesses a foolproof design. When you connect the cable, be sure to connect it with the corresponding orientation.



## JUSB2~3: USB 3.2 Gen1 Connector

These connectors allow you to connect USB 3.2 Gen1 ports on the front panel.



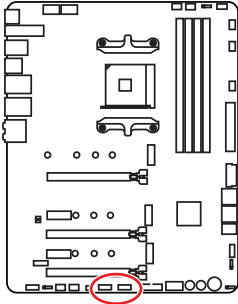
1	Power	11	USB2.0+
2	USB3_RX_DN	12	USB2.0-
3	USB3_RX_DP	13	Ground
4	Ground	14	USB3_TX_C_DP
5	USB3_TX_C_DN	15	USB3_TX_C_DN
6	USB3_TX_C_DP	16	Ground
7	Ground	17	USB3_RX_DP
8	USB2.0-	18	USB3_RX_DN
9	USB2.0+	19	Power
10	NC	20	No Pin

### Important

Note that the Power and Ground pins must be connected correctly to avoid possible damage.

## JUSB4~5: USB 2.0 Connectors

These connectors allow you to connect USB 2.0 ports on the front panel.



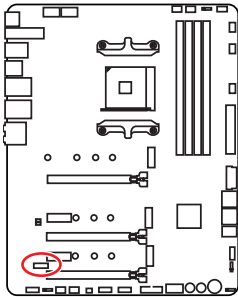
1	VCC	2	VCC
3	USB0-	4	USB1-
5	USB0+	6	USB1+
7	Ground	8	Ground
9	No Pin	10	NC

### Important

- Note that the VCC and Ground pins must be connected correctly to avoid possible damage.
- In order to recharge your iPad, iPhone and iPod through USB ports, please install MSI® DRAGON CENTER utility.

## JTPM1: TPM Module Connector

This connector is for TPM (Trusted Platform Module). Please refer to the TPM security platform manual for more details and usages.

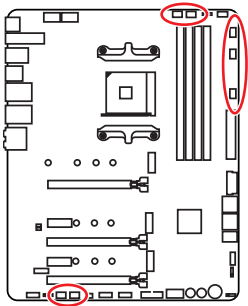


1	LPC Clock	2	3V Standby power
3	LPC Reset	4	3.3V Power
5	LPC address & data pin0	6	Serial IRQ
7	LPC address & data pin1	8	5V Power
9	LPC address & data pin2	10	No Pin
11	LPC address & data pin3	12	Ground
13	LPC Frame	14	Ground



## CPU\_FAN1, PUMP\_FAN1, SYS\_FAN1~5: Fan Connectors

Fan connectors can be classified as PWM (Pulse Width Modulation) Mode or DC Mode. PWM Mode fan connectors provide constant 12V output and adjust fan speed with speed control signal. DC Mode fan connectors control fan speed by changing voltage. You can follow the instruction below to adjust the fan connector to PWM or DC Mode.



### Default PWM Mode fan connectors



CPU\_FAN1 / PUMP\_FAN1

### Default DC Mode fan connectors



SYS\_FAN1 & 3

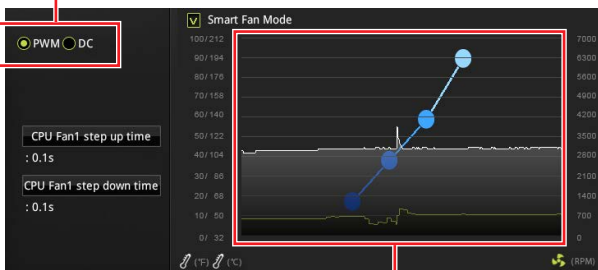


SYS\_FAN2, 4 & 5

## Switching fan mode and adjusting fan speed

You can switch between PWM mode and DC mode and adjust fan speed in **BIOS > HARDWARE MONITOR**.

Select **PWM** mode or **DC** mode



There are gradient points of the fan speed that allow you to adjust fan speed in relation to CPU temperature.



### Important

Make sure fans are working properly after switching the PWM/ DC mode.

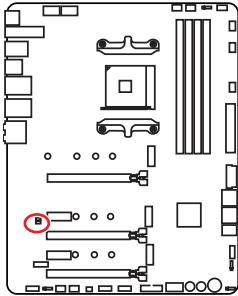
## Pin definition of fan connectors

PWM Mode pin definition			
1	Ground	2	+12V
3	Sense	4	Speed Control Signal

DC Mode pin definition			
1	Ground	2	Voltage Control
3	Sense	4	NC

## JCI1: Chassis Intrusion Connector

This connector allows you to connect the chassis intrusion switch cable.



Normal  
(default)



Trigger the chassis  
intrusion event

### Using chassis intrusion detector

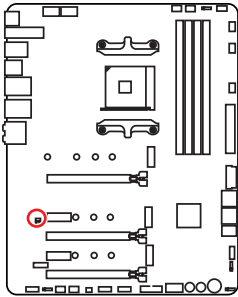
1. Connect the **JCI1** connector to the chassis intrusion switch/ sensor on the chassis.
2. Close the chassis cover.
3. Go to **BIOS > SETTINGS > Security > Chassis Intrusion Configuration**.
4. Set **Chassis Intrusion** to **Enabled**.
5. Press **F10** to save and exit and then press the **Enter** key to select **Yes**.
6. Once the chassis cover is opened again, a warning message will be displayed on screen when the computer is turned on.

### Resetting the chassis intrusion warning

1. Go to **BIOS > SETTINGS > Security > Chassis Intrusion Configuration**.
2. Set **Chassis Intrusion** to **Reset**.
3. Press **F10** to save and exit and then press the **Enter** key to select **Yes**.

## JBAT1: Clear CMOS (Reset BIOS) Jumper

There is CMOS memory onboard that is external powered from a battery located on the motherboard to save system configuration data. If you want to clear the system configuration, set the jumpers to clear the CMOS memory.



Keep Data  
(default)



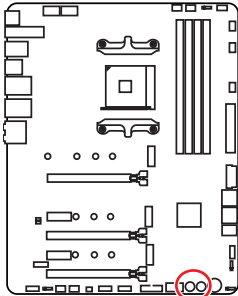
Clear CMOS/  
Reset BIOS

### Resetting BIOS to default values

1. Power off the computer and unplug the power cord.
2. Use a jumper cap to short **JBAT1** for about 5-10 seconds.
3. Remove the jumper cap from **JBAT1**.
4. Plug the power cord and Power on the computer.

## POWER1, RESET1: Power Button, Reset Button

The Power / Reset button allows you to power on / reset the computer.



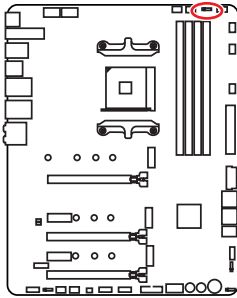
Power button



Reset button

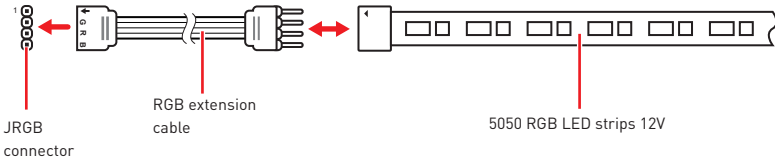
## JRGB1: RGB LED connector

The JRGB connector allows you to connect the 5050 RGB LED strips 12V.

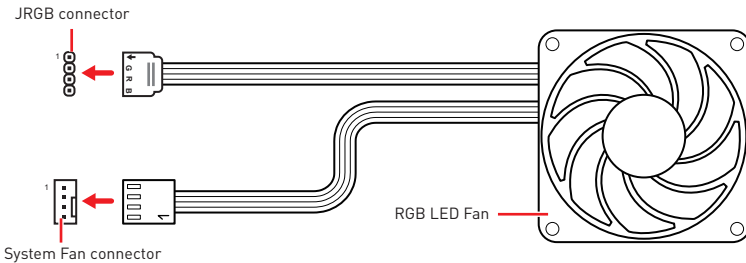


1			
1	+12V	2	G
3	R	4	B

### RGB LED Strip Connection



### RGB LED Fan Connection

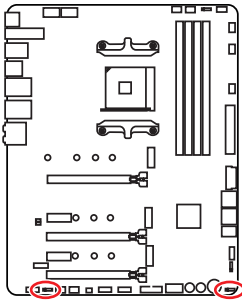


### Important

- The JRGB connector supports up to 2 meters continuous 5050 RGB LED strips (12V/G/R/B) with the maximum power rating of 3A (12V).
- Always turn off the power supply and unplug the power cord from the power outlet before installing or removing the RGB LED strip.
- Please use MSI's software to control the extended LED strip.

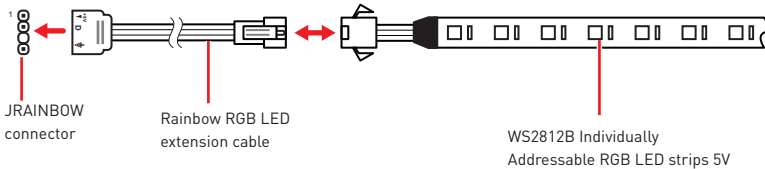
## JRAINBOW1~2: Addressable RGB LED connectors

The JRAINBOW connectors allow you to connect the WS2812B Individually Addressable RGB LED strips 5V.

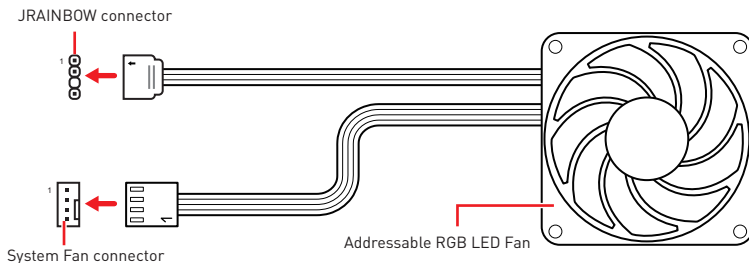


1			
1	+5V	2	Data
3	No Pin	4	Ground

### Addressable RGB LED Strip Connection



### Addressable RGB LED Fan Connection



### **!** CAUTION

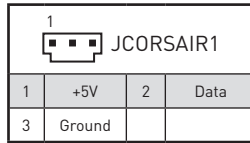
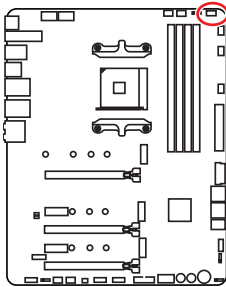
Do not connect the wrong type of LED strips. The JRGB connector and the JRAINBOW connector provide different voltages, and connecting the 5V LED strip to the JRGB connector will result in damage to the LED strip.

### **!** Important

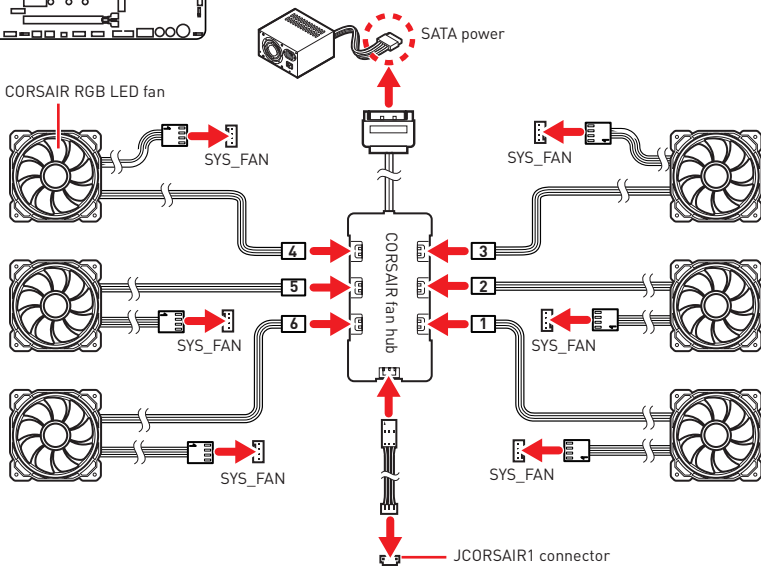
- The JRAINBOW connector supports up to 75 LEDs WS2812B Individually Addressable RGB LED strips (5V/Data/Ground) with the maximum power rating of 3A (5V). In the case of 20% brightness, the connector supports up to 200 LEDs.
- Always turn off the power supply and unplug the power cord from the power outlet before installing or removing the RGB LED strip.
- Please use MSI's software to control the extended LED strip.

## JCORSAIR1: CORSAIR Connector

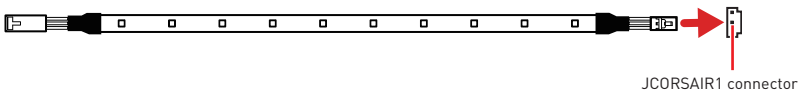
The JCORSAIR1 connector allows you to connect the CORSAIR Individually Addressable Lighting PRO RGB LED strips 5V or CORSAIR RGB fans with the CORSAIR fan hub. Once all items are connected properly, you can control the CORSAIR RGB LED strips and fans with MSI's software.



### CORSAIR RGB Fan Connection



### CORSAIR Lighting Node PRO Connection



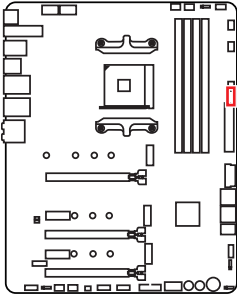
#### **!** Important





- Fans must start at 1 and continue in series. 1 > 2 > 3 > 4 > 5 > 6. Any fan not connected in series will break communication and the RGB LED lighting function will not work.
- Quantity of RGB LED Fans or RGB LED Lighting PRO strips supported may differ between models. Please refer to the motherboard specification.
- CORSAIR RGB LED Fan and CORSAIR Lighting Node PRO can't be used at the same time.

# Onboard LEDs

## EZ Debug LED

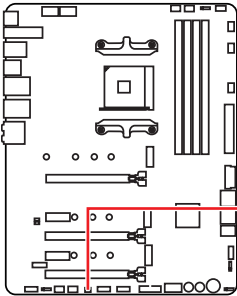
These LEDs indicate the debug status of the motherboard.



-  **CPU** - indicates CPU is not detected or fail.
-  **DRAM** - indicates DRAM is not detected or fail.
-  **VGA** - indicates GPU is not detected or fail.
-  **BOOT** - indicates the booting device is not detected or fail.

## JPWRLED1: LED power input

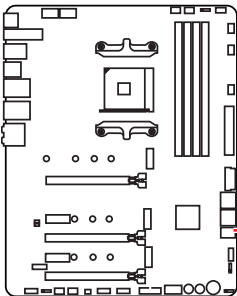
This connector is used by retailers to demonstrate onboard LED lights.



JPWRLED1 - LED power input

## Debug Code LED

The Debug Code LED displays progress and error codes during and after POST. Refer to the Debug Code LED table for details.



Debug Code LED

## Hexadecimal Character Table

Hexadecimal	0	1	2	3	4	5	6	7	8	9	A	B	C	D	E	F
Debug Code LED display	0	1	2	3	4	5	6	7	8	9	A	B	C	D	E	F

## Boot Phases

**Security (SEC)** – initial low-level initialization

**Pre-EFI Initialization (PEI)** – memory initialization

**Driver Execution Environment (DXE)** – main hardware initialization

**Boot Device Selection (BDS)** – system setup, pre-OS user interface & selecting a bootable device (CD/DVD, HDD, USB, Network, Shell, ...)

## Debug Code LED Table

### SEC Progress Codes

01	Power on. Reset type detection (soft/hard)
02	AP initialization before microcode loading
03	System Agent initialization before microcode loading
04	PCH initialization before microcode loading
06	Microcode loading
07	AP initialization after microcode loading
08	System Agent initialization after microcode loading
09	PCH initialization after microcode loading
0B	Cache initialization

### SEC Error Codes

0C - 0D	Reserved for future AMI SEC error codes
0E	Microcode not found
0F	Microcode not loaded

### PEI Progress Codes

10	PEI Core is started
11	Pre-memory CPU initialization is started
12 - 14	Pre-memory CPU initialization (CPU module specific)
15	Pre-memory System Agent initialization is started
16 - 18	Pre-Memory System Agent initialization (System Agent module specific)
19	Pre-memory PCH initialization is started
1A - 1C	Pre-memory PCH initialization (PCH module specific)
2B	Memory initialization. Serial Presence Detect (SPD) data reading



2C	Memory initialization. Memory presence detection
2D	Memory initialization. Programming memory timing information
2E	Memory initialization. Configuring memory
2F	Memory initialization (other)
31	Memory Installed
32	CPU post-memory initialization is started
33	CPU post-memory initialization. Cache initialization
34	CPU post-memory initialization. Application Processor(s) (AP) initialization
35	CPU post-memory initialization. Boot Strap Processor (BSP) selection
36	CPU post-memory initialization. System Management Mode (SMM) initialization
37	Post-Memory System Agent initialization is started
38 - 3A	Post-Memory System Agent initialization (System Agent module specific)
3B	Post-Memory PCH initialization is started
3C - 3E	Post-Memory PCH initialization (PCH module specific)
4F	DXE IPL is started

## PEI Error Codes

4B	Memory not installed (For Summit CPU)
E0	Memory not installed (For Bristol CPU)

## DXE Progress Codes

60	DXE Core is started
61	NVRAM initialization
62	Installation of the PCH Runtime Services
63	CPU DXE initialization is started
64 - 67	CPU DXE initialization (CPU module specific)
68	PCI host bridge initialization
69	System Agent DXE initialization is started
6A	System Agent DXE SMM initialization is started
6B - 6F	System Agent DXE initialization (System Agent module specific)
70	PCH DXE initialization is started
71	PCH DXE SMM initialization is started
72	PCH devices initialization
73 - 77	PCH DXE Initialization (PCH module specific)
78	ACPI module initialization
79	CSM initialization
7A - 7F	Reserved for future AMI DXE codes
90	Boot Device Selection (BDS) phase is started
91	Driver connecting is started
92	PCI Bus initialization is started

93	PCI Bus Hot Plug Controller Initialization
94	PCI Bus Enumeration 32
95	PCI Bus Request Resources
96	PCI Bus Assign Resources
97	Console Output devices connect
98	Console input devices connect
99	Super IO Initialization
9A	USB initialization is started
9B	USB Reset
9C	USB Detect
9D	USB Enable
9E -9F	Reserved for future AMI codes
A0	IDE initialization is started
A1	IDE Reset
A2	IDE Detect
A3	IDE Enable
A4	SCSI initialization is started
A5	SCSI Reset
A6	SCSI Detect
A7	SCSI Enable
A8	Setup Verifying Password
A9	Start of Setup
AB	Setup Input Wait
AD	Ready To Boot event
AE	Legacy Boot event
AF	Exit Boot Services event
B0	Runtime Set Virtual Address MAP Begin
B1	Runtime Set Virtual Address MAP End
B2	Legacy Option ROM Initialization
B3	System Reset
B4	USB hot plug
B5	PCI bus hot plug
B6	Clean-up of NVRAM
B7	Configuration Reset (reset of NVRAM settings)
B8 - BF	Reserved for future AMI codes

## **DXE Error Codes**

D0	CPU initialization error
D1	System Agent initialization error
D2	PCH initialization error

D3	Some of the Architectural Protocols are not available
D4	PCI resource allocation error. Out of Resources
D5	No Space for Legacy Option ROM
D6	No Console Output Devices are found
D7	No Console Input Devices are found
D8	Invalid password
D9	Error loading Boot Option (LoadImage returned error)
DA	Boot Option is failed (StartImage returned error)
DB	Flash update is failed
DC	Reset protocol is not available

### S3 Resume Progress Codes

E0	S3 Resume is started (S3 Resume PPI is called by the DXE IPL)
E1	S3 Boot Script execution
E2	Video repost
E3	OS S3 wake vector call
E4 - E7	Reserved for future AMI progress codes

### S3 Resume Error Codes

E8	S3 Resume Failed
E9	S3 Resume PPI not Found
EA	S3 Resume Boot Script Error
EB	S3 OS Wake Error
EC - EF	Reserved for future AMI error codes

### Recovery Progress Codes

F0	Recovery condition triggered by firmware (Auto recovery)
F1	Recovery condition triggered by user (Forced recovery)
F2	Recovery process started
F3	Recovery firmware image is found
F4	Recovery firmware image is loaded
F5 - F7	Reserved for future AMI progress codes

### Recovery Error Codes

F8	Recovery PPI is not available
F9	Recovery capsule is not found
FA	Invalid recovery capsule
FB - FF	Reserved for future AMI error codes

## ACPI States Codes

The following codes appear after booting and the operating system into ACPI modes.

<b>01</b>	System is entering S1 sleep state
<b>02</b>	System is entering S2 sleep state
<b>03</b>	System is entering S3 sleep state
<b>04</b>	System is entering S4 sleep state
<b>05</b>	System is entering S5 sleep state
<b>10</b>	System is waking up from the S1 sleep state
<b>20</b>	System is waking up from the S2 sleep state
<b>30</b>	System is waking up from the S3 sleep state
<b>40</b>	System is waking up from the S4 sleep state
<b>AC</b>	System has transitioned into ACPI mode. Interrupt controller is in PIC mode.
<b>AA</b>	System has transitioned into ACPI mode. Interrupt controller is in APIC mode.

# Installing OS, Drivers & Utilities

Please download and update the latest utilities and drivers at [www.msi.com](http://www.msi.com)

## Installing Windows® 10

1. Power on the computer.
2. Insert the Windows® 10 installation disc/USB into your computer.
3. Press the **Restart** button on the computer case.
4. Press **F11** key during the computer POST (Power-On Self Test) to get into Boot Menu.
5. Select the Windows® 10 installation disc/USB from the Boot Menu.
6. Press any key when screen shows **Press any key to boot from CD or DVD...** message.
7. Follow the instructions on the screen to install Windows® 10.

## Installing Drivers

1. Start up your computer in Windows® 10.
2. Insert MSI® Driver Disc into your optical drive.
3. Click the **Select to choose what happens with this disc** pop-up notification, then select **Run DVDSetup.exe** to open the installer. If you turn off the AutoPlay feature from the Windows Control Panel, you can still manually execute the **DVDSetup.exe** from the root path of the MSI Driver Disc.
4. The installer will find and list all necessary drivers in the **Drivers/Software** tab.
5. Click the **Install** button in the lower-right corner of the window.
6. The drivers installation will then be in progress, after it has finished it will prompt you to restart.
7. Click **OK** button to finish.
8. Restart your computer.

## Installing Utilities

Before you install utilities, you must complete drivers installation.

1. Open the installer as described above.
2. Click the **Utilities** tab.
3. Select the utilities you want to install.
4. Click the **Install** button in the lower-right corner of the window.
5. The utilities installation will then be in progress, after it has finished it will prompt you to restart.
6. Click **OK** button to finish.
7. Restart your computer.

# BIOS Setup

The default settings offer the optimal performance for system stability in normal conditions. You should **always keep the default settings** to avoid possible system damage or failure booting unless you are familiar with BIOS.



## **Important**

- *BIOS items are continuously update for better system performance. Therefore, the description may be slightly different from the latest BIOS and should be for reference only. You could also refer to the **HELP** information panel for BIOS item description.*
- *The pictures in this chapter are for reference only and may vary from the product you purchased.*
- *The BIOS items will vary with the processor.*

## Entering BIOS Setup

Press **Delete** key, when the **Press DEL key to enter Setup Menu, F11 to enter Boot Menu** message appears on the screen during the boot process.

### Function key

- F1:** General Help list
- F2:** Add/ Remove a favorite item
- F3:** Enter Favorites menu
- F4:** Enter CPU Specifications menu
- F5:** Enter Memory-Z menu
- F6:** Load optimized defaults
- F7:** Switch between Advanced mode and EZ mode
- F8:** Load Overclocking Profile
- F9:** Save Overclocking Profile
- F10:** Save Change and Reset\*
- F12:** Take a screenshot and save it to USB flash drive (FAT/ FAT32 format only).
- Ctrl+F:** Enter Search page

\* When you press F10, a confirmation window appears and it provides the modification information. Select between Yes or No to confirm your choice.

## Resetting BIOS

You might need to restore the default BIOS setting to solve certain problems. There are several ways to reset BIOS:

- Go to BIOS and press **F6** to load optimized defaults.
- Short the **Clear CMOS** jumper on the motherboard.



*Be sure the computer is off before clearing CMOS data. Please refer to the **Clear CMOS** jumper section for resetting BIOS.*

## Updating BIOS

### Updating BIOS with M-FLASH

Before updating:

Please download the latest BIOS file that matches your motherboard model from MSI website. And then save the BIOS file into the USB flash drive.

Updating BIOS:

1. Press Del key to enter the BIOS Setup during POST.
2. Insert the USB flash drive that contains the update file into the computer.
3. Select the **M-FLASH** tab and click on **Yes** to reboot the system and enter the flash mode.
4. Select a BIOS file to perform the BIOS update process.
5. After the flashing process is 100% completed, the system will reboot automatically.

### Updating the BIOS with MSI DRAGON CENTER

Before updating:

Make sure the LAN driver is already installed and the internet connection is set properly.

Updating BIOS:

1. Install and launch MSI DRAGON CENTER.
2. Select **BIOS Update**.
3. Click on **Scan** button.
4. Click on **Download** icon to download and install the latest BIOS file.
5. Click **Next** and choose **In Windows mode**. And then click **Next** and **Start** to start updating BIOS.
6. After the flashing process is 100% completed, the system will restart automatically.

## Updating BIOS with Flash BIOS Button

Before updating:

Please download the latest BIOS file that matches your motherboard model from MSI® website and rename the BIOS file to **MSI.ROM**. And then, save the **MSI.ROM** file to the root of USB flash drive.



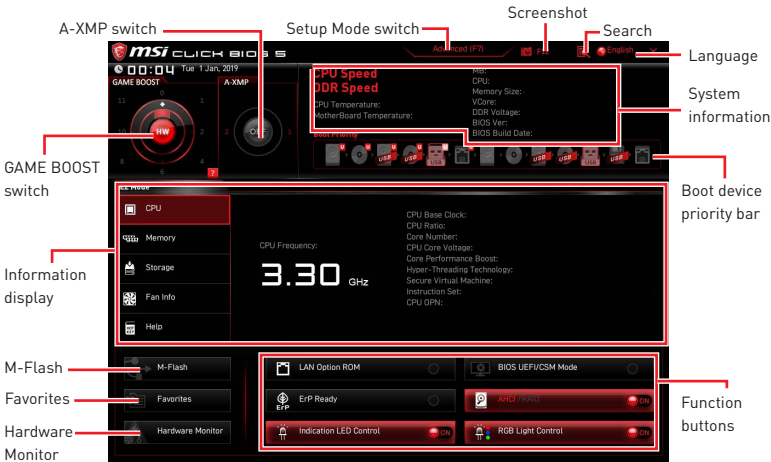
*Only the FAT32 format USB flash drive supports updating BIOS by **Flash BIOS Button**.*

1. Connect power supply to **CPU\_PWR1** and **ATX\_PWR1**. (No other components are necessary but power supply.)
2. Plug the USB flash drive that contains the MSI.ROM file into the **Flash BIOS** Port on rear I/O panel.
3. Press the **Flash BIOS** Button to flash BIOS, and the button LED starts flashing.
4. After the flashing BIOS process is 100% completed, the LED would be off simultaneously.



## EZ Mode

At EZ mode, it provides the basic system information and allows you to configure the basic setting. To configure the advanced BIOS settings, please enter the Advanced Mode by pressing the **Setup Mode switch** or **F7** function key.



- **GAME Boost switch (optional)** - click on the center button to switch the **GAME BOOST** be controlled by **software (SW)** or **hardware (HW)**. The inner circle represents the current stage of hardware GAME BOOST and the outer circle stands for software. You can read the abilities of GAME Boost by clicking on the **question mark** in the right-bottom corner. This function will only be available if the installed processor supports this function.

### **Important**

*Please don't make any changes in OC menu and don't load defaults to keep the optimal performance and system stability after activating the **GAME BOOST** function.*

- **A-XMP switch (optional)** - click on the inner circle to enable/disable the A-XMP. Switch the outer circle to select the memory profile if any. This switch will only be available if the installed processor and memory modules support A-XMP function.
- **Setup Mode switch** - press this tab or the **F7** key to switch between Advanced mode and EZ mode.
- **Screenshot** - click on this tab or the **F12** key to take a screenshot and save it to USB flash drive (FAT/ FAT32 format only).
- **Search** - click on this tab or the **Ctrl+F** keys to enter the search page. It allows you to search by BIOS item name. Move the mouse over a blank space and right click the mouse to exit the search page.

### **Important**

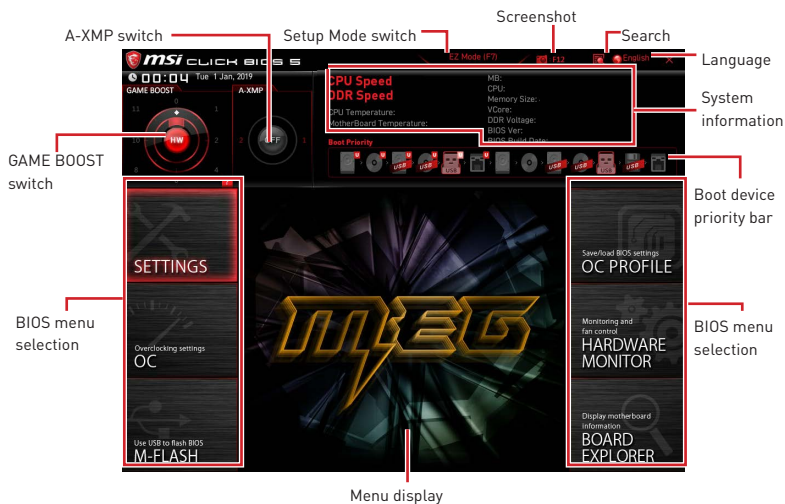
*In search page, only the F6, F10 and F12 function keys are available.*

- **Language** - allows you to select language of BIOS setup.
- **System information** - shows the CPU/ DDR speed, CPU/ MB temperature, MB/ CPU type, memory size, CPU/ DDR voltage, BIOS version and build date.

- **Boot device priority bar** - you can move the device icons to change the boot priority. The boot priority from high to low is left to right.
- **Information display** - click on the **CPU, Memory, Storage, Fan Info** and **Help** buttons on left side to display related information.
- **Function buttons** - enable or disable the **LAN Option ROM, ErP Ready, AHCI/ RAID, Indication LED Control, BIOS UEFI/CSM Mode** and **RGB Light Control** by clicking on their respective button.
- **M-Flash** - click on this button to display the **M-Flash** menu that provides the way to update BIOS with a USB flash drive.
- **Hardware Monitor** - click on this button to display the **Hardware Monitor** menu that allows you to manually control the fan speed by percentage.
- **Favorites** - press the **F3** key to enter **Favorites** menu. It allows you to create personal BIOS menu where you can save and access favorite/ frequently-used BIOS setting items.
  - **Default HomePage** - allows you to select a BIOS menu (e.g. SETTINGS, OC...,etc) as the BIOS home page.
  - **Favorite1~5** - allows you to add the frequently-used/ favorite BIOS setting items in one page.
  - **To add a BIOS item to a favorite page (Favorite 1~5)**
    1. Move the mouse over a BIOS item not only on BIOS menu but also on search page.
    2. Right-click or press **F2** key.
    3. Choose a favorite page and click on **OK**.
  - **To delete a BIOS item from favorite page**
    1. Move the mouse over a BIOS item on favorite page (Favorite 1~5)
    2. Right-click or press **F2** key.
    3. Choose **Delete** and click on **OK**.

## Advanced Mode

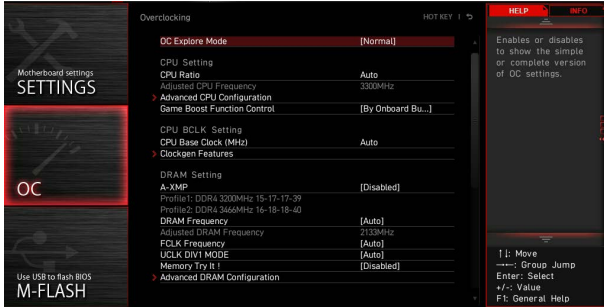
Press **Setup Mode switch** or **F7** function key can switch between EZ Mode and Advanced Mode in BIOS setup.



- **BIOS menu selection** - the following options are available:
  - **SETTINGS** - allows you to specify the parameters for chipset and boot devices.
  - **OC** - allows you to adjust the frequency and voltage. Increasing the frequency may get better performance.
  - **M-FLASH** - provides the way to update BIOS with a USB flash drive.
  - **OC PROFILE** - allows you to manage overclocking profiles.
  - **HARDWARE MONITOR** - allows you to set the speeds of fans and monitor voltages of system.
  - **BOARD EXPLORER** - provides the information of installed devices on this motherboard.
- **Menu display** - provides BIOS setting items and information to be configured.

## OC Menu

This menu is for advanced users who want to overclock the motherboard.



### Important

- Overclocking your PC manually is only recommended for advanced users.
- Overclocking is not guaranteed, and if done improperly, it could void your warranty or severely damage your hardware.
- If you are unfamiliar with overclocking, we advise you to use **GAME BOOST** function for easy overclocking.
- The BIOS items in OC menu will vary with the processor.

#### ► OC Explore Mode [Normal]

Enables or disables to show the normal or expert version of OC settings.

[Normal] Provides the regular OC settings in BIOS setup.

[Expert] Provides the advanced OC settings for OC expert to configure in BIOS setup.

Note: We use \* as the symbol for the OC settings of Expert mode.

#### ► CPU Ratio [Auto]

Sets the CPU ratio that is used to determine CPU clock speed. This item can only be changed if the processor supports this function.

#### ► Advanced CPU Configuration

Press **Enter** to enter the sub-menu. User can set the parameters about CPU power/ current. The system may become unstable or unbootable after changing the parameters. If it occurs, please clear the CMOS data and restore the default settings.

#### ► Game Boost Function Control [By Onboard Button]

Sets to enable the Game Boost Function by virtual button in BIOS or physical button on motherboard.

#### ► A-XMP [Disabled]

Please enable A-XMP or select a profile of memory module for overclocking the memory. This item will be available when the installed processor, memory modules and motherboard support this function.

► **DRAM Frequency [Auto]**

Sets the DRAM frequency. Please note the overclocking behavior is not guaranteed.

► **FCLK Frequency [Auto]**

Sets the FCLK frequency (Internal Data Fabric clock of DRAM). Please note the overclocking behavior is not guaranteed.

► **UCLK DIV1 Mode [Auto]**

Sets UCLK (Internal memory controller clock) mode.

► **Memory Try It ! [Disabled]**

It can improve memory compatibility or performance by choosing optimized memory preset.

► **Adjusted DRAM Frequency**

Shows the adjusted DRAM frequency. Read-only.

► **Advanced DRAM Configuration**

Press **Enter** to enter the sub-menu. User can set the memory timing for each/ all memory channel. The system may become unstable or unbootable after changing memory timing. If it occurs, please clear the CMOS data and restore the default settings. (Refer to the Clear CMOS jumper section to clear the CMOS data, and enter the BIOS to load the default settings.)

► **DigitALL Power**

Press **Enter** to enter the sub-menu. Controls the digital powers related to CPU PWM.

► **CPU Loadline Calibration Control [Auto]**

The CPU voltage will decrease proportionally according to CPU loading. Higher load-line calibration could get higher voltage and good overclocking performance, but increase the temperature of the CPU and VRM. If set to **Auto**, BIOS will configure this setting automatically.

► **CPU Over Voltage Protection [Auto]**

Sets the voltage limit for CPU over-voltage protection. If set to **Auto**, BIOS will configure this setting automatically. Higher voltage provides less protection and may damage the system.

► **CPU Under Voltage Protection [Auto]**

Sets the voltage limit for CPU under-voltage protection. If set to **Auto**, BIOS will configure this setting automatically. Higher voltage provides less protection and may damage the system.

► **CPU Over Current Protection [Auto]**

Sets the current limit for CPU over-current protection. If set to **Auto**, BIOS will configure this setting automatically.

[Auto] This setting will be configured automatically by BIOS.

[Enhanced] Extends the current range for over-current protection.

### ► CPU NB Loadline Calibration Control [Auto]

The CPU-NB voltage will decrease proportionally according to CPU-NB loading. Higher load-line calibration could get higher voltage and good overclocking performance, but increase the temperature. If set to **Auto**, BIOS will configure this setting automatically.

### ► CPU Voltages control [Auto]

These options allows you to set the voltages related to CPU. If set to **Auto**, BIOS will set these voltages automatically or you can set it manually.

### ► DRAM Voltages control [Auto]

These options allows you to set the voltages related to memory. If set to **Auto**, BIOS will set these voltages automatically or you can set it manually.

### ► Memory Changed Detect [Enabled]\*

Enables or disables the system to issue a warning message during boot when the memory has been replaced.

[Enabled] The system will issue a warning message during boot and then you have to load the default settings for new devices.

[Disabled] Disables this function and keeps the current BIOS settings.

### ► CPU Specifications

Press **Enter** to enter the sub-menu. This sub-menu displays the information of installed CPU. You can also access this information menu at any time by pressing [F4]. Read only.

#### ► CPU Technology Support

Press **Enter** to enter the sub-menu. The sub-menu shows the key features of installed CPU. Read only.

### ► MEMORY-Z

Press **Enter** to enter the sub-menu. This sub-menu displays all the settings and timings of installed memory. You can also access this information menu at any time by pressing [F5].

#### ► DIMMx Memory SPD

Press **Enter** to enter the sub-menu. The sub-menu displays the information of installed memory. Read only.

### ► CPU Features

Press **Enter** to enter the sub-menu.

#### ► Simultaneous Multi-Threading [Enabled] (optional)

Enables/ disables the AMD Simultaneous Multi-Threading. This item appears when the installed CPU supports this technology.

#### ► Global C-state Control [Enabled] (optional)

Enables/ disables IO based C-state generation and DF C-states.

### ► Opcache Control [Auto] (optional)

Enables/ disables Opcache. Opcache stores recent decode instruction to save the decoding time when the instruction is repeated. And it may increase the CPU performance and reduce the power consumption slightly.

### ► IOMMU Mode (optional)

Enables/disables the IOMMU (I/O Memory Management Unit) for I/O Virtualization.

### ► Spread Spectrum (optional)

This function reduces the EMI (Electromagnetic Interference) generated by modulating clock generator pulses.

[Enabled] Enables the spread spectrum function to reduce the EMI (Electromagnetic Interference) problem.

[Disabled] Enhances the overclocking ability of CPU Base clock.

### Important

• If you do not have any EMI problem, leave the setting at [Disabled] for optimal system stability and performance. But if you are plagued by EMI, select the value of Spread Spectrum for EMI reduction.

• The greater the Spread Spectrum value is, the greater the EMI is reduced, and the system will become less stable. For the most suitable Spread Spectrum value, please consult your local EMI regulation.

• Remember to disable Spread Spectrum if you are overclocking because even a slight jitter can introduce a temporary boost in clock speed which may just cause your overclocked processor to lock up.

### ► Relaxed EDC throttling [Auto] (optional)

Relaxed EDC throttling reduces the amount of time the processor will throttle the cores.

[Auto] AMD's recommendation

[Enabled] Reduce the amount of time the processor will throttle.

[Disabled] Part-specific EDC throttling protection enabled.

### ► AMD Cool' n' Quiet [Enabled]

The Cool' n' Quiet technology can effectively and dynamically lower CPU speed and power consumption.

### ► SVM Mode [Enabled]

Enables/ disables the AMD SVM (Secure Virtual Machine) Mode.

### ► BIOS PSP Support [Enabled] (optional)

Enables/ disables the BIOS PSP support. It manages PSP sub-items including all C2P/P2C mailbox, Secure S3, fTPM support.

### ► Power Supply Idle Control [Auto] (optional)

It allows you to select the power-saving control mode for the CPU when all cores are in a non-CO state. If set to **Auto**, BIOS will configure these settings.

---

---

---

---

---

---

---

---

---

---

---

---

---

---

---

---

---

---

---

---

---

---

---

---

---

---

---

---

---

---

---

---

---

---

---

---



# 目次

<b>安全に関する注意事項</b> .....	<b>3</b>
<b>仕様</b> .....	<b>4</b>
JCORSAIR1コネクターの仕様 .....	11
<b>パッケージの内容</b> .....	<b>11</b>
<b>リアI/Oパネル</b> .....	<b>12</b>
LANポートLED状態表 .....	12
オーディオポートの配置.....	12
Realtekオーディオコンソール .....	13
アンテナの取り付け .....	15
<b>コンポーネントの概要</b> .....	<b>16</b>
プロセッサソケット .....	17
DIMMスロット .....	18
PCI_E1~5: PCIe拡張スロット.....	19
M2_1~3: M.2スロット (Key M).....	21
SATA1~4: SATA 6Gb/sコネクタ .....	23
JFP1、JFP2: フロントパネルコネクタ .....	23
CPU_PWR1~2、ATX_PWR1: 電源コネクタ .....	24
OC1: GAME BOOSTつまみ .....	25
JAUD1: フロントオーディオコネクタ .....	26
JUSB1: USB 3.2 Gen 2 Type-Cコネクタ .....	27
JUSB2~3: USB 3.2 Gen1コネクタ .....	27
JUSB4~5: USB 2.0コネクタ .....	28
JTPM1: TPMモジュールコネクタ .....	28
CPU_FAN1、PUMP_FAN1、SYS_FAN1~5: ファンコネクタ .....	29
JCI1: ケース開放スイッチコネクタ .....	30
開放検知機能の使い方.....	30
JBAT1: クリアCMOS (BIOSリセット) ジャンパ.....	31
POWER1、RESET1: 電源ボタン、リセットボタン .....	31
JRGB1: RGB LEDコネクタ .....	32
JRAINBOW1~2: 追加のRGB LEDコネクタ .....	33
JCORSAIR1: CORSAIRコネクタ .....	34
<b>オンボードLED</b> .....	<b>35</b>
EZ Debug LED.....	35
JPWRLD1: LED電源入力 .....	35
Debug Code LED .....	35

16進文字一覧表 .....	36
ブートフェーズ.....	36
ACPIステータスコード .....	40
<b>OS、ドライバーおよびユーティリティのインストール.....</b>	<b>41</b>
Windows® 10のインストール.....	41
ドライバーのインストール.....	41
ユーティリティのインストール.....	41
<b>BIOSの設定 .....</b>	<b>42</b>
BIOSセットアップ画面の起動.....	42
BIOSのリセット .....	43
BIOSのアップデート方法.....	43
EZモード .....	45
アドバンスモード .....	47
OCメニュー .....	48

# 安全に関する注意事項

- 本パッケージ内のコンポーネントは静電放電(ESD)を受けやすいので、PCの組み立てを確実に成功させるために以下の注意事項を守ってください。
- コンポーネントがしっかりと全部接続され手いることを確認してください。確実に接続されていない場合、コンポーネントの認識不良や起動不良の原因となります。
- 繊細な部品に触れないよう、マザーボードのフチを持ってください。
- マザーボードを扱う際には、静電気破壊を防ぐために、静電放電 (ESD) リストストラップを着けることをお勧めします。ESDリストストラップが用意できない場合は、他の金属製のものに触れて静電気を逃してからマザーボードを扱ってください。
- 本品を取り付けない時は、静電気対策が施された箱か、または静電気防止パッド上で保管してください。
- コンピューターの電源を投入する前に、マザーボードのショートの原因となる、外れたネジや金属製の部品がマザーボード上またはPCケース内にはないか、よく確認して下さい。
- コンポーネントの破損やユーザーの怪我の原因となるおそれがあるため、組み立てが完了する前にPCを起動させないでください。
- PCの組立について不明な点がある場合は、販売店やメーカーのサポート窓口にご相談してください。
- PCパーツの取り付けおよび取り外しを行う前には、必ずPCの電源をオフに、コンセントから電源コードを抜いてください。
- 本ユーザーズガイドは大切に保存してください。
- 本マザーボードは湿気の少ない所で使用・保管してください。
- 電源ユニットをコンセントに接続する前に、電源ユニットに記載された電圧がコンセントの電圧に適合しているか確認してください。
- 電源コードは踏まれることがないように配線してください。電源コードの上に物を置かないでください。
- マザーボードに関するすべての注意と警告を遵守してください。
- 次のような場合は、販売店や代理店のサポート窓口にもマザーボードの点検を依頼してください。
  - PCに水をこぼした場合。
  - マザーボードが高い湿気にさらされた場合。
  - ユーザーズマニュアルに従って操作しても、マザーボードが正常に作動しない、または起動しない場合。
  - マザーボードが落ちて破損した場合。
  - マザーボードに目に見える破損がある場合。
- 本品を温度が60°C (140°F)より高い場所に置かないでください。マザーボードが破損することがあります。

# 仕様

CPU	ソケットAM4 第2/3世代AMD Ryzen™ / Radeon™ Vegaグラフィックス付きのRyzen™とRadeon™ グラフィックス付きの第2世代AMD Ryzen™デスクトッププロセッサをサポート
チップセット	AMD® X570チップセット
メモリ	<ul style="list-style-type: none"> <li>• DDR4 メモリスロット 4 本搭載、最大 128GB 搭載可能 * <ul style="list-style-type: none"> <li>▪ 第3世代AMD Ryzen™プロセッサは、JEDEC による DDR4 1866/ 2133/ 2400/ 2667/ 2800/ 2933/ 3000/ 3066/ 3200 MHz、および A-XMP OC MODE による 2667/ 2800 /2933 /3000 /3066 /3200 /3466 /3600/ 3733 /3866 /4000 /4133 /4266 /4400 /4533 /4600 MHz をサポート</li> <li>▪ 第2世代AMD Ryzen™プロセッサ、Radeon™ Vega グラフィックス付きの第1/2世代AMD Ryzen™プロセッサは、JEDEC による DDR4 1866/ 2133/ 2400/ 2667/ 2800/ 2933/ 3000/ 3066/ 3200 MHz、および A-XMP OC MODE による 2667 /2800 / 2933 /3000 /3066 /3200 /3466 /3600 MHz をサポート</li> </ul> </li> <li>• デュアルチャンネルメモリアーキテクチャ</li> <li>• Non-ECC UDIMMメモリをサポート</li> <li>• ECC UDIMM メモリをサポート (non-ECC モード)</li> <li>• Un-buffered メモリをサポート</li> </ul> <p>* 最新のメモリモジュール対応状況については、下記Webサイトをご参照ください。 www.msi.com</p>
拡張スロット	<ul style="list-style-type: none"> <li>• PCIe 4.0/ 3.0 x16スロット x2 (PCI_E1, PCI_E3) <ul style="list-style-type: none"> <li>▪ 第3世代AMD Ryzen™はPCIe 4.0 x16/x0, x8/x8モードをサポート</li> <li>▪ 第2世代AMD Ryzen™はPCIe 3.0 x16/x0, x8/x8モードをサポート</li> <li>▪ Radeon™ Vegaグラフィックス付きのRyzen™とRadeon™ グラフィックス付きの第2世代AMD Ryzen™はPCIe 3.0 x8 モードをサポート*</li> </ul> </li> <li>• PCIe 4.0/ 3.0 x16スロット x1 (PCI_E5、x4モードをサポート)</li> <li>• PCIe 4.0/ 3.0 x1スロット x2**</li> </ul> <p>* 第2/3世代AMD Ryzen™プロセッサの場合のみに、PCI_E3スロットは有効になります。</p> <p>** PCIe x1スロットは同時に使用されません。PCIeカードをPCI_E4スロットに取り付ける場合に、PCI_E2は無効になります。</p> <p>***速度はデバイスによって異なる場合があります。</p>
マルチGPU	<ul style="list-style-type: none"> <li>• 2-Way NVIDIA® SLI®テクノロジーをサポート</li> <li>• 3-Way AMD® CrossFire™テクノロジーをサポート</li> </ul>

次のページに続く

前のページから続く

LAN	Intel® WGI211AT Gigabit LANコントローラー x1 Realtek® RTL8125 2.5 Gbps LANコントローラー x1
ワイヤレスLAN & Bluetooth®	Intel® Wi-Fi 6 AX200 <ul style="list-style-type: none"><li>▪ 802.11 a/b/g/n/ac/ax, MU-MIMO Rx, 2.4GHz- 5GHz (160MHz) をサポート、最大2.4Gbpsまでの速度をサポート</li><li>▪ Bluetooth® 5をサポート</li><li>▪ ワイヤレスカードはM2_4 (Key-E)スロットにプレインストールされます。</li></ul>
オーディオ	Realtek® ALC1220コーデック <ul style="list-style-type: none"><li>• 7.1チャンネルHDオーディオ</li><li>• オプションのS/PDIF出力をサポート</li></ul>
ストレージ	AMD® X570チップセット <ul style="list-style-type: none"><li>• SATA 6Gb/sポート x4</li><li>• M.2スロット x2 (M2_2/ M2_3, Key M)*<ul style="list-style-type: none"><li>▪ PCIe 4.0/ 3.0 x4とSATA 6Gb/sをサポート</li><li>▪ 2242/ 2260 /2280ストレージデバイスをサポート</li></ul></li></ul> AMD® プロセッサ <ul style="list-style-type: none"><li>• M.2スロット x1 (M2_1, Key M)*<ul style="list-style-type: none"><li>▪ PCIe 4.0 x4をサポート (第3世代AMD Ryzen™)</li><li>▪ PCIe 3.0 x4をサポート (第2世代AMD Ryzen™/ Radeon™ Vegaグラフィックス付きのRyzen™とRadeon™グラフィックス付きの第2世代AMD Ryzen™)</li><li>▪ 2242/ 2260 /2280/ 22110ストレージデバイスをサポート</li></ul></li></ul> *速度はデバイスによって異なる場合があります。
RAID	AMD® X570チップセット <ul style="list-style-type: none"><li>• RAID 0、RAID 1およびRAID 10をサポート</li></ul>

次のページに続く

前のページから続く

USB	<p>AMD® X570チップセット</p> <ul style="list-style-type: none"><li>▪ USB 3.2 Gen2 (SuperSpeed USB 10Gbps)ポート x3 (バックパネルに2 Type-Aポート、1 Type-C内部コネクタ)</li><li>▪ USB 3.2 Gen1 (SuperSpeed USB)ポート x4、内部USB 3.2 Gen1コネクタ経由で利用可能</li><li>▪ USB 2.0 (High-speed USB)ポート x6 (バックパネルに2 Type-Aポート、内部USB 2.0コネクタ経由で4ポート利用可能)</li></ul> <p>AMD®プロセッサ</p> <ul style="list-style-type: none"><li>▪ バックパネルにUSB 3.2 Gen2 (第3世代AMD Ryzen™)またはUSB 3.2 Gen1 (第2世代AMD Ryzen™/ Radeon™ Vegaグラフィックス付きのRyzen™とRadeon™ グラフィックス付きの第2世代AMD Ryzen™)ポート x2 (1x Type-A &amp; 1x Type-C)</li><li>▪ バックパネルにUSB 3.2 Gen1 (SuperSpeed USB) Type-Aポート x2</li></ul>
I/Oコントローラー	NUVOTON NCT6797コントローラーチップ
ハードウェアモニター	<ul style="list-style-type: none"><li>• CPU/システム/チップセット温度の検知</li><li>• CPU/システム/チップセット回転速度の検知</li><li>• CPU/システム/チップセット回転速度のコントロール</li></ul>
寸法	<ul style="list-style-type: none"><li>• ATXフォームファクタ</li><li>• 12 in. x 9.6 in. (30.5 cm x 24.4 cm)</li></ul>

次のページに続く

前のページから続く

内部コネクタ

- 24ピンATXメイン電源コネクタ x1
- 8ピンATX 12V電源コネクタ x2
- SATA 6Gb/sコネクタ x4
- USB 2.0コネクタ x2 (4基の追加USB 2.0ポートをサポート)
- USB 3.2 Gen 1コネクタ x2 (4基の追加USB 3.2 Gen 1ポートをサポート)
- USB 3.2 Gen 2 Type-Cポート x1
- 4ピンCPUファンコネクタ x1
- 4ピンシステムファンコネクタ x5
- 4ピンウォーターポンプコネクタ x1
- フロントパネルオーディオコネクタ x1
- システムパネルコネクタ x2
- TPMモジュールコネクタ x1
- クリアCMOSジャンパ x1
- ケース開放スイッチコネクタ x1
- 電源ボタン x1
- リセットボタン x1
- Game Boostつまみ x1
- 4ピンRGB LEDコネクタ x1
- 3ピンRAINBOW LEDコネクタ x2
- 3ピンCORSAIRコネクタ x1
- 2ピンLED電源入力 x1
- Debug Code LED x1
- EZ Debug LED x4

次のページに続く

前のページから続く

<b>バックパネルコネクタ</b>	<ul style="list-style-type: none"><li>• クリアCMOSボタン x1</li><li>• Flash BIOSボタン x1</li><li>• WiFi/ Bluetoothモジュール x1</li><li>• PS/2 キーボード/ マウスコンボポート x1</li><li>• USB 2.0ポート x2</li><li>• USB 3.2 Gen 1ポート x2</li><li>• LAN(RJ45)ポート x2</li><li>• USB 3.2 Gen 2/ 1 Typeポート x1</li><li>• USB 3.2 Gen 2/ 1 Typeポート x1</li><li>• USB 3.2 Gen 2 Type Aポート x2</li><li>• OFCオーディオジャック x5</li><li>• 光角型S/PDIF出力コネクタ x1</li></ul>
<b>BIOSの機能</b>	<ul style="list-style-type: none"><li>• 256 Mbフラッシュ x1</li><li>• UEFI AMI BIOS</li><li>• ACPI 6.1, SM BIOS 2.8</li><li>• 多言語対応</li></ul>
<b>ソフトウェア</b>	<ul style="list-style-type: none"><li>• デバイスドライバー</li><li>• DRAGON CENTER</li><li>• Nahimic Audio</li><li>• CPU-Z MSI GAMING</li><li>• MSI App Player (BlueStacks)</li><li>• Google Chrome™ ,Google Toolbar, Google Drive</li><li>• Norton™ Internet Security Solution</li></ul>
<b>ドラゴンセンター機能</b>	<ul style="list-style-type: none"><li>• DRAGON OPTIMIZATION</li><li>• OCパフォーマンス</li><li>• ハードウェアモニター</li><li>• Trueクーラー</li><li>• LANマネージャー</li><li>• Mystic Light</li><li>• Live Update</li></ul> <div data-bbox="726 1129 855 1257"></div> <p data-bbox="657 1270 921 1326">詳細については<a href="http://download.msi.com/manual/mb/DRAGONCENTER2.pdf">http://download.msi.com/manual/mb/DRAGONCENTER2.pdf</a>からご参照ください。</p>

次のページに続く



前のページから続く

MSI独自の機能

- オーディオ
  - Audio Boost HD
  - Nahimic3
  - Voice Boost
- ネットワーク
  - Gaming LAN Manager付きのGAMING LAN
  - Dual LAN (2.5G+1G)
  - Intel WiFi
- ストレージ
  - Lightning Gen 4 M.2
  - Triple M.2
- 冷却
  - Zero Frozrテクノロジー
  - Frozr Heatsinkデザイン
  - Propeller Bladeテクノロジー
  - M.2 Shield Frozr
  - ポンプファン
  - Gamingファンコントロール
- LED
  - Mystic Light Infinity
  - Mystic Light 3
  - Mystic Light拡張 (RGB)
  - Mystic Light拡張 (RAINBOW)
  - Mystic Light拡張 (CORSAIR)
  - Mystic light SYNC
  - EZ DEBUG LED
- 保護
  - DDR4 Steel Armor
  - PCI-E Steel Armor
  - プレーインストールしたI/Oシールド

次のページに続く

前のページから続く

MSI独自の機能

- パフォーマンス
  - Lightning Gen 4 PCI-Eスロット
  - マルチGPU-SLIテクノロジー
  - マルチGPU-CrossFireテクノロジー
  - DDR4 Boost
  - Core Boost
  - GAME Boost (8モード)
  - GAME Boost
  - OC Engine (Clock gen)
  - タイプA+C付きのUSB
  - AMD Turbo USB 3.2 Gen 2
  - フロントUSB Type-C
  - デュアルCPU電源
- ゲーマー体験
  - DRAGON CENTER
  - GAMING HOTKEY
  - GAMING MOUSE Control
  - USB SPEED UP
  - Total Fan control
  - Live Update
  - APP Player
- BIOS
  - Click BIOS 5
  - Flash BIOSボタン

## JCORSAIR1コネクターの仕様

対応のCORSAIR RGB製品	最大のコネクター
Lighting PRO RGB LEDストリップ	20* * LEDストリップの数が8以上の場合に、20%輝度がお勧めされます。
HD120 RGBファン	6
SP120 RGBファン	6
LL120 RGBファン	6

## パッケージの内容

パッケージにすべての添付品が含まれていることをご確認ください。

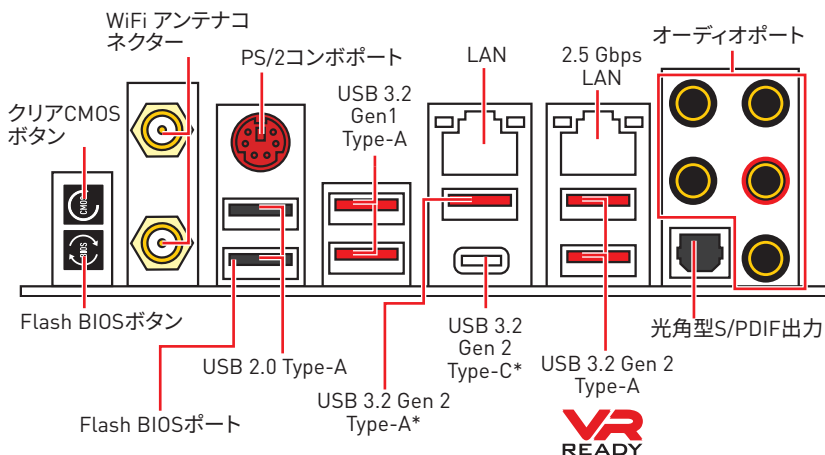
マザーボード本体	MEG X570 ACE	
ケーブル	SATA 6Gb/sケーブル	4
	1~2 RGB LED延長Yケーブル80cm	1
	CORSAIR RGB LED延長ケーブル50cm	1
	RAINBOW RGB LED延長ケーブル80cm	1
付属品	アンテナセット	1
	8.5H M.2ねじ	3
	ケースのバッジ	1
	SATAケーブルラベル	1
	製品登録カード	1
アプリケーションDVD	ドライバーDVD	
ドキュメンテーション	ユーザーズマニュアル	1
	クイック取り付けガイド	1



**注意**

欠品または破損がある場合は、直ちにご購入された販売店へ連絡して下さい。

# リアI/Oパネル



\*USB 3.2 Gen2 (第3世代AMD Ryzen™)またはUSB 3.2 Gen1 (第2世代AMD Ryzen™/Radeon™ Vegaグラフィックス付きのRyzen™とRadeon™ グラフィックス付きの第2世代AMD Ryzen™)

● **クリアCMOSボタン** - このボタンの使用前には、必ずPCの主電源をオフにしてください。クリアCMOSボタンを5-10秒押したままにすると、BIOSがリセットされ、工場出荷時の設定に戻ります。

● **Flash BIOS ポート/ボタン** - Flash BIOSボタンでのBIOSのアップデートについては、44ページをご参照ください。

## LANポートLED状態表

リンク/ アクティビティLED		状態	スピードLED	
状態	解説		Gigabit LAN	2.5 Gbps LAN
Off	リンクしていません	Off	10 Mbps	10 Mbps
黄色	リンクしています	緑色	100 Mbps	100 Mbps / 1 Gbps
点滅	データ通信中です	オレンジ	1 Gbps	2.5 Gbps

## オーディオポートの配置

オーディオポート	チャンネル			
	2	4	6	8
センター/ サブウーファー出力			●	●
リアスピーカー出力		●	●	●
ライン入力/ サイドスピーカー出力				●
ライン出力/ フロントスピーカー出力	●	●	●	●
マイク入力				

(●: 接続、空白: 非接続)

## Realtekオーディオコンソール

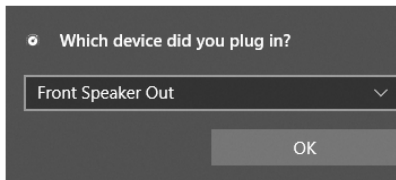
Realtekオーディオコンソールをインストールした後、優れた音声体験のために音声設定を変更します。



- **デバイス選択** - オーディオ出力ソースを選択し、関連のオプションを変更することができます。チェックサインはそのデバイスがデフォルトであることを示します。
- **アプリケーション拡張** - 多数のオプションは、出力デバイスと入力デバイスの両方に期待されるサウンドエフェクトの完全なガイダンスを提供します。
- **メインボリューム** - バーを調整することでフロントまたはリアパネルに接続されたスピーカーの左右のバランスやボリュームをコントロールします。
- **ジャック状態** - PCに現在接続されている全てのレンダーとキャプチャーデバイスを示します。
- **接続設定** - 接続設定を行います。

### オートポップアップダイアログ

オーディオジャックにデバイスが挿し込まれると、接続されたデバイスがどれであるか尋ねるダイアログウィンドウがポップアップします。



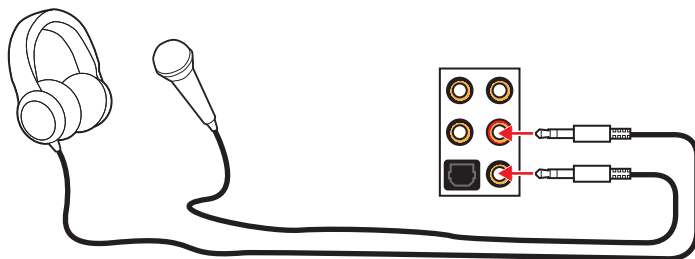
それぞれのジャックとデフォルト設定の対応は、次頁で示す通りです。



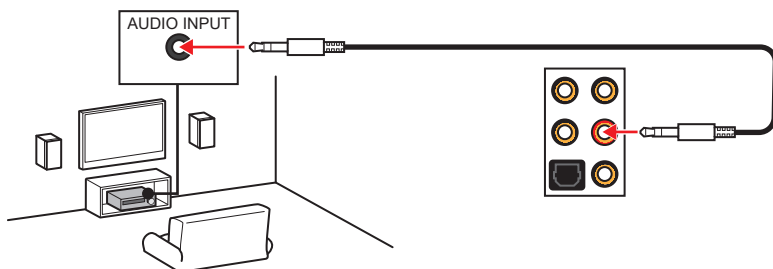
**注意**

上図は参照用だけです。ご購入した製品はモデルと異なる場合がありますので、ご注意ください。

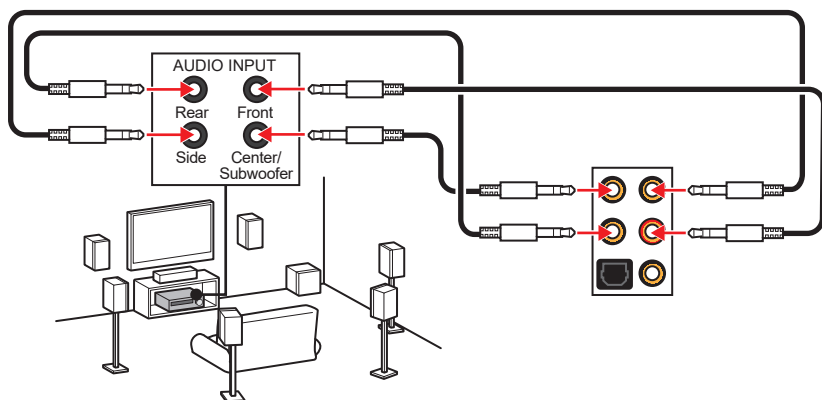
## ヘッドフォンとマイクの接続方法



## ステレオスピーカーの接続方法

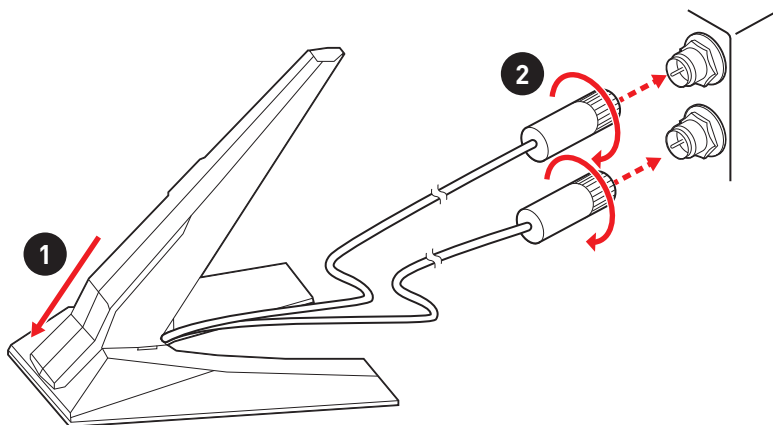


## 7.1チャンネルスピーカーの接続方法

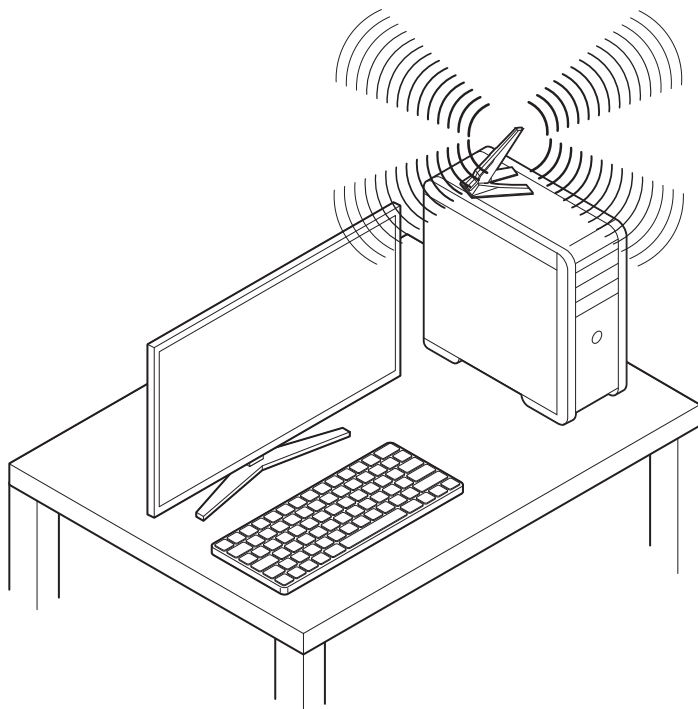


## アンテナの取り付け

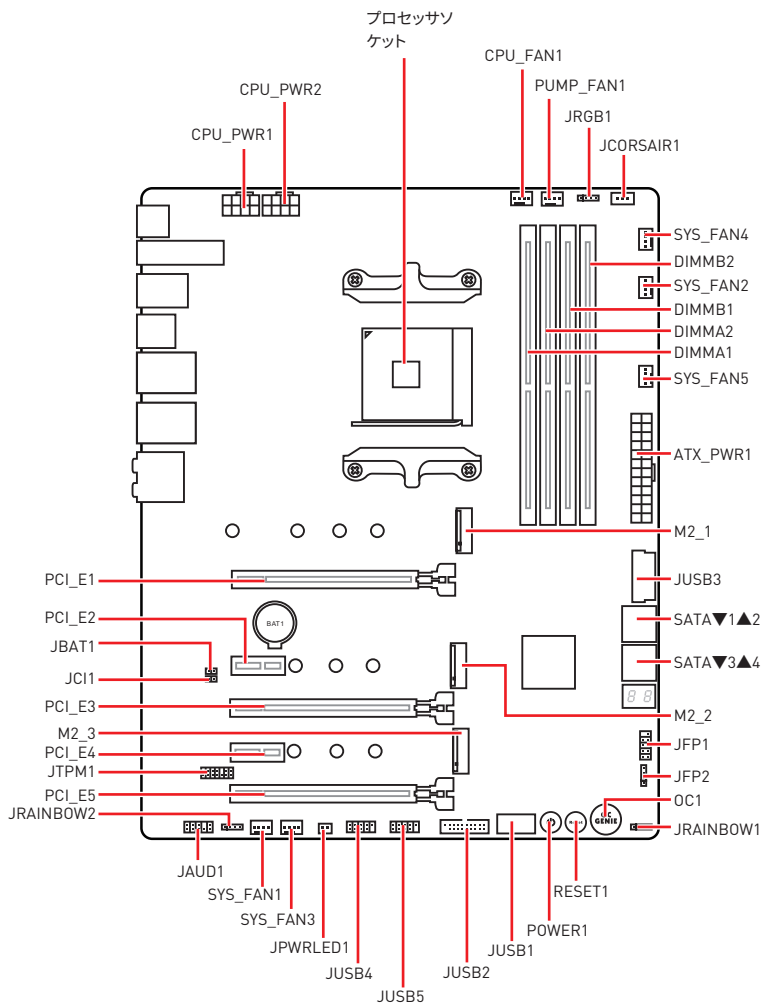
1. 台座でアンテナを組合わせませす。
2. 下図のように2枚のアンテナケーブルをしっかりとWiFiアンテナコネクターに固定します。



3. アンテナをできるだけ高く置きます。

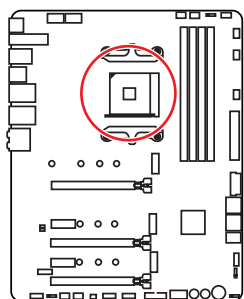


# コンポーネントの概要

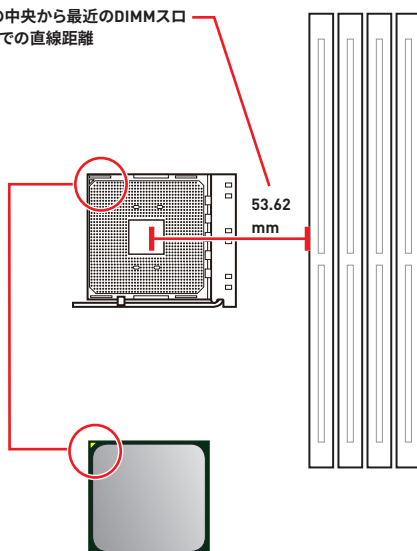




## プロセッサソケット



CPUの中央から最近のDIMMSロットまでの直線距離



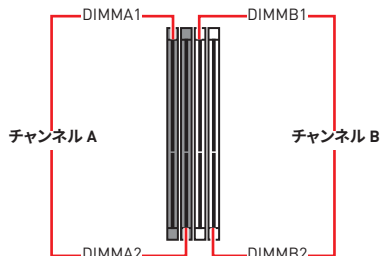
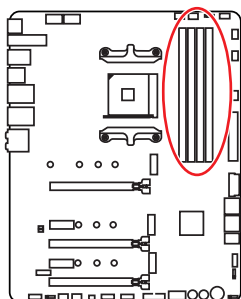
### AM4 CPUについて

AM4 CPUには黄色い三角印一個があります。黄色い三角印の方向をピン1の方向に向けて装着します。

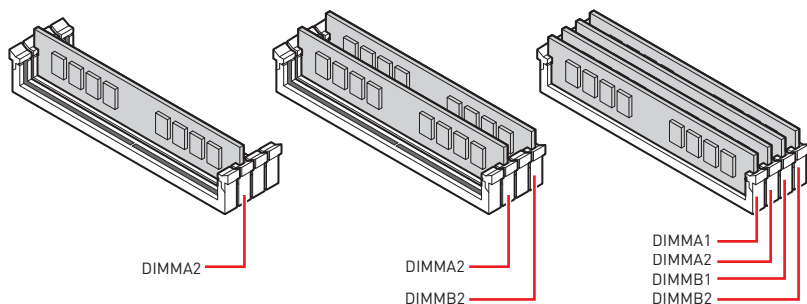
### ⚠ 注意

- CPUの脱着は、必ず電源をオフにし、コンセントから電源ケーブルを抜いてから行ってください。
- CPUを取り付けた後、CPUソケットに取り付けられていたCPUソケットカバーは絶対に捨てないでください。本製品の修理を依頼される際に、CPUソケットカバーがCPUソケットに取り付けられていない場合は修理をお断りすることがございます。
- CPUを取り付ける際は、必ずCPUクーラーも取り付けてください。CPUクーラーは過熱を防ぎ、システムの安定を保つために必要です。
- システムを起動する前に、CPUクーラーがCPUとしっかりと密着していることを確認してください。
- CPUの過熱はCPU自身やマザーボードに深刻なダメージを与えるおそれがあります。システム組み立て後初回起動時に必ずCPUファンが正常に動作していることを確認してください。CPUクーラーをマザーボードへ装着する際、CPUとの接触面に適切な量の熱伝導性ペーストを塗布するか、または熱伝導性シートを挟んでください。
- CPUとは別にCPUクーラーを購入された場合は、CPUクーラーに添付されている文書を参照して取り付け方法の詳細を確認して下さい。
- このマザーボードはオーバークロックをサポートしています。オーバークロックを試みる前に、マザーボード以外のすべてのパーツがオーバークロックに耐えるか確認してください。製品の仕様を超えるいかなる試みも推奨しません。製品の仕様を超えた不適切な取り扱いによって生じた損害やリスクをMSIは保証しません。

## DIMMスロット



### メモリモジュールの推奨取付順序



### ⚠ 注意

- メモリスロットは**DIMMA2**を最優先に使用して下さい。
- チップセットのリソース使用方法により、利用可能なメモリ容量は実際に取り付けたメモリの容量より若干少なくなります。
- チップセットの仕様に基づき、CPUの保護のために1.35V以下のメモリDIMM電圧をお薦めします。
- メモリの動作周波数はSPDに依存するため、オーバークロックの際に公称値より低い周波数で動作するメモリがあります。メモリを公称値かそれ以上の周波数で動作させたい場合は、BIOSメニューのDRAM Frequency!の項目で動作周波数を設定してください。
- 全てのDIMMスロットを使用する場合やオーバークロックをする場合はより効率的なメモリ冷却システムの使用をお薦めします。
- オーバークロック時の、メモリの安定性と互換性は取り付けられたCPUとデバイスに依存します。
- AM4 CPU/メモリコントローラーの公式の仕様の制限のために、メモリモジュールは公称値以下の周波数で動作する恐れがあります。互換性があるのメモリについての詳細は[www.msi.com](http://www.msi.com)からご参照ください。

## PCI\_E1~5: PCIe拡張スロット

スロット	第3世代AMD Ryzen™	第2世代AMD Ryzen™	Radeon™ Vegaグラフィックス付きのRyzen™とRadeon™グラフィックス付きの第2世代AMD Ryzen™
PCI_E1	PCIe 4.0 x16	PCIe 3.0 x16	PCIe 3.0 x8
PCI_E2	PCIe 4.0 x1	PCIe 3.0 x1	PCIe 3.0 x1
PCI_E3	PCIe 4.0 x8	PCIe 3.0 x8	Unavailable
PCI_E4	PCIe 4.0 x1	PCIe 3.0 x1	PCIe 3.0 x1
PCI_E5	PCIe 4.0 x4	PCIe 3.0 x4	PCIe 3.0 x4



### 注意

- 大型且つ重いグラフィックスカードをインストールすると、スロットの変形を防止するために、**MSI Gaming Series Graphics Card Bolster**のようなツールを使用することが必要です。
- 一枚のPCIe x16拡張カードを最適な性能で動作させたい場合は、**PCI\_E1**スロットの使用をお勧めします。
- 拡張カードの着脱は、必ず電源をオフにし、コンセントから電源ケーブルを抜いてから行ってください。ハードウェアまたはソフトウェアにどのような変更が必要であるかは、拡張カードのドキュメントでご確認ください。
- PCIe x1スロットが同時に使用されません。PCIeカードをPCI\_E4スロットに取り付ける場合に、PCI\_E2は無効になります。

## PCIe帯域幅一覧表

下表を参照してPCIeデバイスをインストールしてください。

### 第3世代AMD Ryzen™の場合

スロット	シングル		2-Way		3-Way*	
PCI_E1 (CPU)	@4.0 x16		@4.0 x8		@4.0 x8	
PCI_E2 (PCH)	4.0 x1	—	4.0 x1	—	4.0 x1	—
PCI_E3 (CPU)	—		@4.0 x8		@4.0 x8	
PCI_E4 (PCH)	—	4.0 x1	—	4.0 x1	—	4.0 x1
PCI_E5 (PCH)	4.0 x4		4.0 x4		@4.0 x4	

[—: 無効, @: グラフィックスカード, \*: CrossFireのみ]

## 第2世代AMD Ryzen™の場合

スロット	シングル		2-Way		3-Way*	
PCI_E1 (CPU)	@3.0 x16		@3.0 x8		@3.0 x8	
PCI_E2 (PCH)	3.0 x1	—	3.0 x1	—	3.0 x1	—
PCI_E3 (CPU)	—		@3.0 x8		@3.0 x8	
PCI_E4 (PCH)	—	3.0 x1	—	3.0 x1	—	3.0 x1
PCI_E5 (PCH)	3.0 x4		3.0 x4		@3.0 x4	

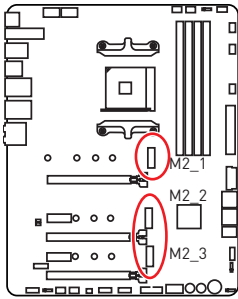
(—: 無効, @: グラフィックスカード, \*: CrossFireのみ)

## Radeon™ Vegaグラフィックス付きのRyzen™とRadeon™グラフィックス付きの第2世代AMD Ryzen™の場合

スロット	シングル		2-Way*	
PCI_E1 (CPU)	@3.0 x8		@3.0 x8	
PCI_E2 (PCH)	3.0 x1	—	3.0 x1	—
PCI_E3 (CPU)	—		—	
PCI_E4 (PCH)	—	3.0 x1	—	3.0 x1
PCI_E5 (PCH)	3.0 x4		@3.0 x4	

(—: 無効, @: グラフィックスカード, \*: CrossFireのみ)

## M2\_1~3: M.2スロット (Key M)

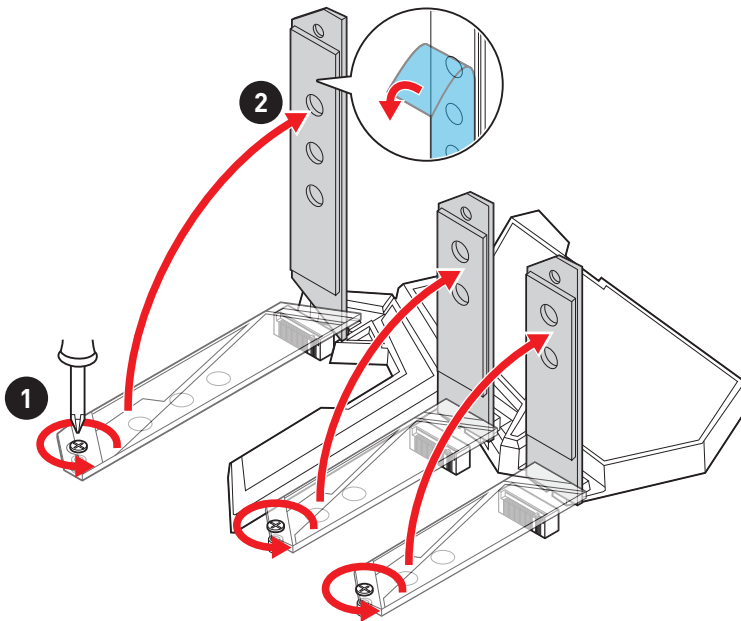


下表はM.2スロットとプロセッサのPCIe帯域幅の関係を解説します。

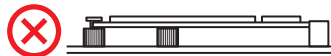
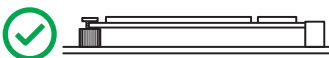
スロット	第3世代AMD Ryzen™	第2世代AMD Ryzen™	Radeon™ Vegaグラフィックス付きのRyzen™とRadeon™グラフィックス付きの第2世代AMD Ryzen™
M2_1	PCIe 4.0 x4	PCIe 3.0 x4	PCIe 3.0 x4
M2_2	PCIe 4.0 x4	PCIe 3.0 x4	PCIe 3.0 x4
M2_3	PCIe 4.0 x4	PCIe 3.0 x4	PCIe 3.0 x4

### M.2モジュールの取り付け

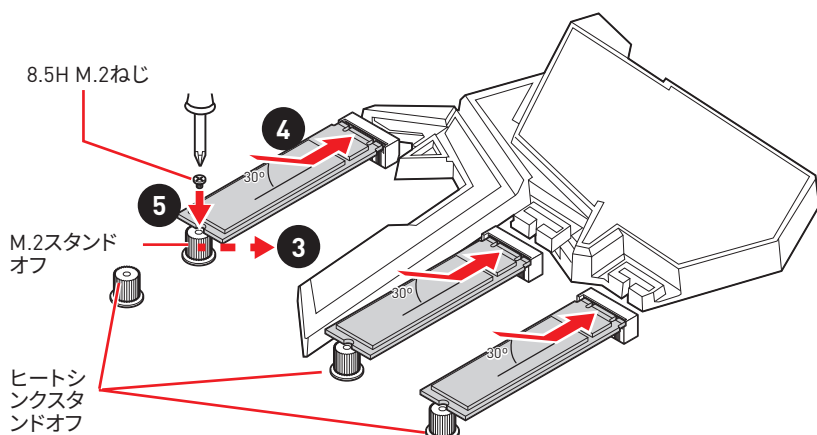
1. M.2 SHIELD FROZRヒートシンクのねじを緩めます。
2. M.2 SHIELD FROZRヒートシンクを持ち上げ、熱パッドから保護膜を取り外します。



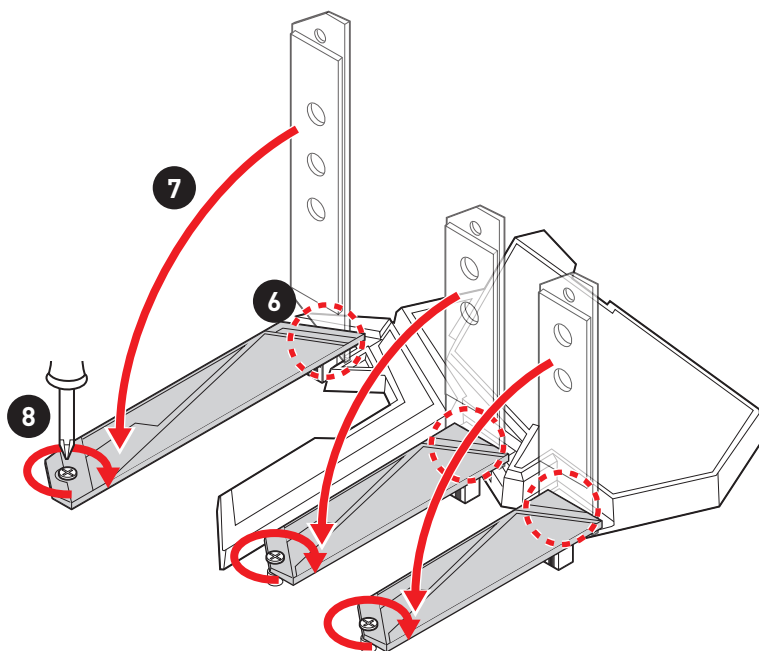
3. M.2 SSDの取り付け時に、M.2スタンドオフを移動して適切な位置に固定します。M.2 SSDに損害を防止するために、M.2 SSDの下にM.2スタンドオフがないことを確認してください。



4. 30°の角度でM.2 SSDをM.2スロットに挿入します。
5. M.2 SSDがM.2 SHIELD FROZRヒートシンクより短い場合に、8.5H M.2ねじでM.2 SSDを固定します。M.2 SSDの長さがM.2 SHIELD FROZRヒートシンクに等しい場合、このステップを飛ばします。

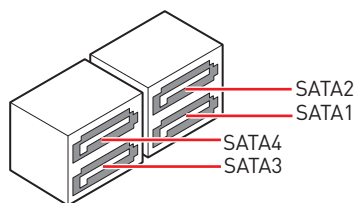
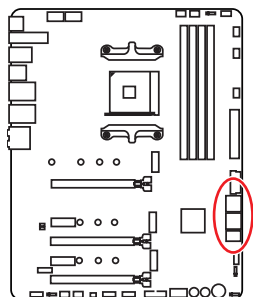


6. M.2 SHIELD FROZRヒートシンクシャフトを溝に挿入します。
7. M.2 SHIELD FROZRヒートシンクを下に押しします。
8. M.2 SHIELD FROZRヒートシンクをヒートシンクスタンドオフに固定します。



## SATA1~4: SATA 6Gb/sコネクタ

これらのコネクタは SATA 6Gb/s インターフェースポートです。一つのコネクタにつき、一つの SATA デバイスを接続できます。

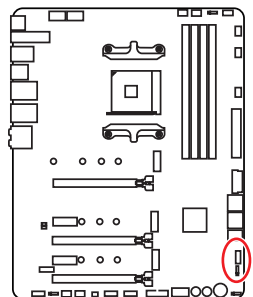


### ⚠ 注意

- SATAケーブルは90度以下の角度に折り曲げないでください。データ損失を起こす恐れがあります。
- SATAケーブルは両端に同一のプラグを備えています。然し、スペースの確保のためにマザーボードにはストレートタイプのコネクタを接続されることをお勧めします。

## JFP1、JFP2: フロントパネルコネクタ

これらのコネクタにはフロントパネルのスイッチとLEDを接続します。



JFP1	
10	9
Reserved	Reserved
Power Switch	Reset Switch
Power LED	HDD LED
2	1

1	HDD LED +	2	Power LED +
3	HDD LED -	4	Power LED -
5	Reset Switch	6	Power Switch
7	Reset Switch	8	Power Switch
9	Reserved	10	No Pin

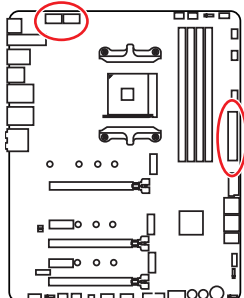
JFP2	
Buzzer	Speaker
1	1

1	Speaker -	2	Buzzer +
3	Buzzer -	4	Speaker +

## CPU\_PWR1~2、ATX\_PWR1: 電源コネクター

これらのコネクターにはATX電源を接続します。



1	Ground	5	+12V
2	Ground	6	+12V
3	Ground	7	+12V
4	Ground	8	+12V

1	+3.3V	13	+3.3V
2	+3.3V	14	-12V
3	Ground	15	Ground
4	+5V	16	PS-ON#
5	Ground	17	Ground
6	+5V	18	Ground
7	Ground	19	Ground
8	PWR OK	20	Res
9	5VSB	21	+5V
10	+12V	22	+5V
11	+12V	23	+5V
12	+3.3V	24	Ground



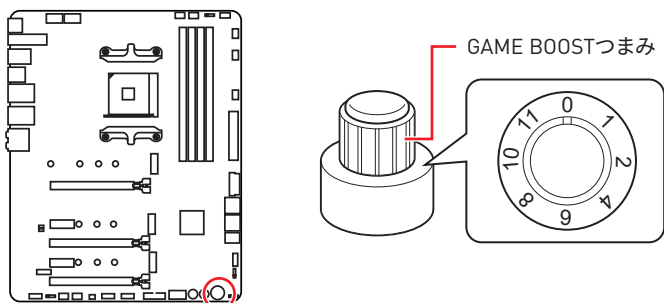
**注意**

マザーボードの安定した動作を確実にするために、全ての電源ケーブルが適切なATX電源ユニットにしっかりと接続されていることを確認して下さい。



## OC1: GAME BOOSTつまみ

このつまみは手動で0 (デフォルト) から11 (極限) までの中から段階を選択することで、プロセッサをオーバークロックできます。電源オンになると、プロセッサの電圧と動作周波数が自動的に調整されます。インストールされたプロセッサが本機能をサポートの場合のみに有効です。



### GAME BOOSTつまみの使い方

GAME BOOSTつまみの設定手順は下記の通りです。

1. BIOSセットアップ画面にGAME BOOSTつまみをハードウェアモードに設定します。
2. システムの電源をオフにします。
3. **GAME BOOSTつまみのオーバークロックステージ表**を参照して、GAME BOOSTつまみを回し、希望のオーバークロックレベルを選択します。

ステージ	CPU周波数 (GHz)					
	Ryzen 7		Ryzen 5		Ryzen 3	
	2700X	2700	2600X	2600	2400G	2200G
0	3.7	3.2	3.6	3.4	3.6	3.2
1	4.1	3.6	4	3.8	3.8	3.6
2	4.15	3.65	4.05	3.85	3.85	3.65
4	4.2	3.7	4.1	3.9	3.9	3.7
6	4.25	3.75	4.15	3.95	3.95	3.75
8	4.3	3.8	4.2	4	4	3.8
10	4.35	3.85	4.25	4.05	4.05	3.85
11	4.4	3.9	4.3	4.1	4.1	3.9

4. システム起動後に、選択したレベルに基づいてGAME BOOSTがCPUを自動的にオーバークロックします。

GAME BOOSTを無効にする方法:

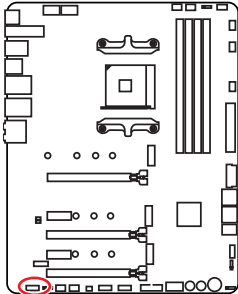
1. BIOSセットアップ画面にGAME BOOSTつまみをハードウェアモードに設定します。
2. システムの電源をオフにします。
3. GAME BOOSTつまみを0に回してから、電源を投入します。オーバークロックのために自動的に設定されたパラメータが通常の値に戻ります。

## ⚠ 注意

- BIOSのセットアップ画面にはまたはMSI DRAGON CENTERソフトウェアでGAME BOOST機能をコントロールできます。
- パフォーマンスの最適化とシステムの安定性の改善のために、GAME BOOST機能の有効時にはBIOSセットアップ画面のOCメニュー内の項目は変更しないでください。
- オーバークロックの成否はお使いのPCパーツに依存します。
- GAME BOOSTによるオーバークロックの成否は保証致しません。オーバークロックによって生じたいかなる損害についてもMSIは保障しません。
- GAME BOOST機能のご使用の際は、より良い互換性のためにMSI製PCパーツのご使用をお薦めします。

## JAUD1: フロントオーディオコネクタ

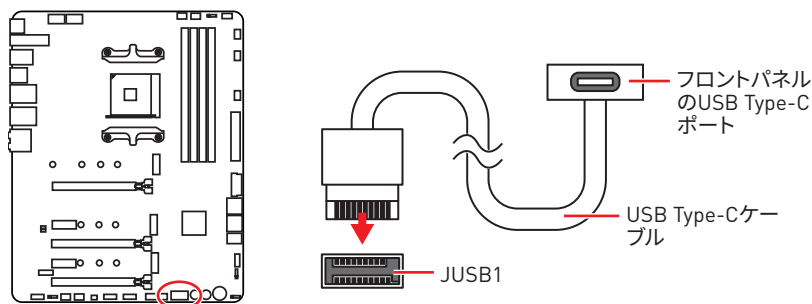
このコネクタにはフロントパネルのオーディオジャックを接続します。



1	MIC L	2	Ground
3	MIC R	4	NC
5	Head Phone R	6	MIC Detection
7	SENSE_SEND	8	No Pin
9	Head Phone L	10	Head Phone Detection

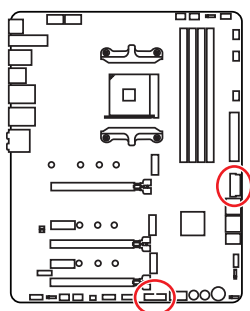
## JUSB1: USB 3.2 Gen 2 Type-Cコネクタ

これらのコネクタにはフロントパネルのUSB 3.2 Gen2 Type-Cコネクタを接続します。このコネクタは確実なデザインを持っています。ケーブルを接続すると、対応方向で接続することを確認してください。



## JUSB2~3: USB 3.2 Gen1コネクタ

これらのコネクタにはフロントパネルのUSB 3.2 Gen1ポートを接続します。



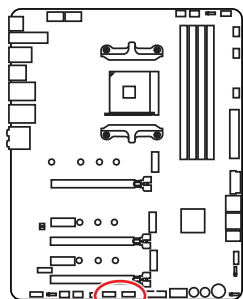
JUSB3		JUSB2	
10	11	1	10
1	20	20	11
1	Power	11	USB2.0+
2	USB3_RX_DN	12	USB2.0-
3	USB3_RX_DP	13	Ground
4	Ground	14	USB3_TX_C_DP
5	USB3_TX_C_DN	15	USB3_TX_C_DN
6	USB3_TX_C_DP	16	Ground
7	Ground	17	USB3_RX_DP
8	USB2.0-	18	USB3_RX_DN
9	USB2.0+	19	Power
10	NC	20	No Pin

### ⚠️ 注意

電源とグランドピンは必ず接続してください。正しく接続されていない場合、機器が損傷するおそれがあります。

## JUSB4~5: USB 2.0コネクター

これらのコネクターにはフロントパネルのUSB 2.0ポートを接続します。



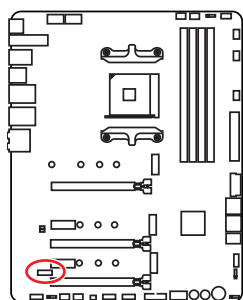
1	VCC	2	VCC
3	USB0-	4	USB1-
5	USB0+	6	USB1+
7	Ground	8	Ground
9	No Pin	10	NC

### ⚠ 注意

- VCCピンとグランドピンは必ず接続してください。正しく接続されていない場合、機器が損傷するおそれがあります。
- これらのUSBポートでiPad、iPhoneとiPodを再充電するには、MSI® DRAGON CENTERユーティリティをインストールしてください。

## JTPM1: TPMモジュールコネクター

このコネクターはTPM (Trusted Platform Module)を接続します。詳細についてはTPMセキュリティプラットフォームマニュアルを参照して下さい。

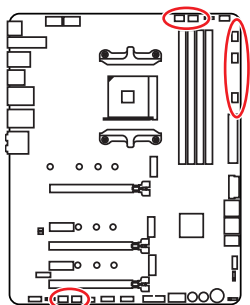


1	LPC Clock	2	3V Standby power
3	LPC Reset	4	3.3V Power
5	LPC address & data pin0	6	Serial IRQ
7	LPC address & data pin1	8	5V Power
9	LPC address & data pin2	10	No Pin
11	LPC address & data pin3	12	Ground
13	LPC Frame	14	Ground

## CPU\_FAN1、PUMP\_FAN1、SYS\_FAN1~5: ファンコネクタ

ファンコネクタはPWM (パルス幅変調)モードとDCモードに分類されます。PWMモードファンコネクタには常時12Vが出力されており、スピードコントロール信号によってファンスピードを調整します。DCモードファンコネクタは電圧出力を変えることでファンスピードをコントロールします。本製品はPWMとDCモードを自動的に検知できます。下記の説明に従って手動でファンコネクタをPWMまたはDCモードに調整できます。

### デフォルトPWMモードファンコネクタ



CPU\_FAN1 / PUMP\_FAN1

### デフォルトDCモードファンコネクタ



SYS\_FAN1 & 3

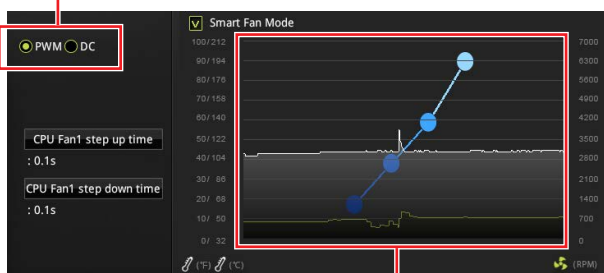


SYS\_FAN2, 4 & 5

## ファンモードの切り替えとファンスピードの調整

BIOS > **HARDWARE MONITOR**で、PWMモードとDCモードの間に切り替えることができ、ファンスピードを調整します。

PWM/DC モードを選択します。



ファンスピードの傾斜ポイントはCPUの温度との関連のファンスピードを調整します。

### **!** 注意

PWM/ DCモードを切り替えた後、ファンが正しく動作していることを確認してください。

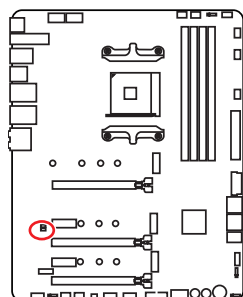
## ファンコネクタのピンの定義

PWMモードのピンの定義			
1	Ground	2	+12V
3	Sense	4	Speed Control Signal


DCモードのピンの定義			
1	Ground	2	Voltage Control
3	Sense	4	NC

## JCI1: ケース開放スイッチコネクター

このコネクターにはケース開放スイッチケーブルを接続します。



  
正常  
(デフォルト)

  
ケース開放イベントト  
リガー有効

### 開放検知機能の使い方

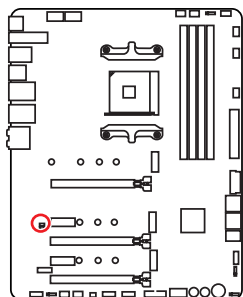
1. JCI1コネクターをケース開放スイッチ/センサーに接続します。
2. ケースのカバーを閉じます。
3. BIOS > SETTINGS > Security > Chassis Intrusion Configurationに入ります。
4. Chassis IntrusionをEnabledに設定します。
5. F10を押すと、設定を保存して終了するかメッセージが出ますので、Enterキーを押してYesを選択します。
6. ケースが開けられるとシステムに開放の情報が記録され、次のシステム起動時に警告メッセージが表示されます。

### ケース開放警告のリセット

1. BIOS > SETTINGS > Security > Chassis Intrusion Configurationに入ります。
2. Chassis IntrusionをResetに設定します。
3. F10を押すと、設定を保存して終了するかメッセージが出ますので、Enterキーを押してYesを選択します。

## JBAT1: クリアCMOS (BIOSリセット) ジャンパ

本製品はシステムの設定情報を保持するCMOSメモリを搭載しており、マザーボード上のボタン型電池から電力が供給されます。システムの設定をクリアしたい場合は、CMOSメモリをクリアするためにジャンパピンにジャンパブロックを取り付けてください。



データを保持  
(デフォルト)



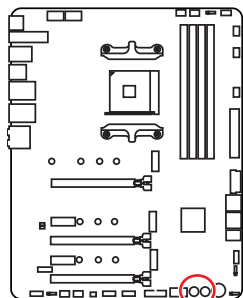
CMOSをクリア/  
BIOSをリセット

### BIOSをデフォルト値にリセットする

1. PCの電源をオフにし、コンセントから電源コードを抜いて下さい。
2. ジャンパブロックでJBAT1を5-10秒ぐらいショットします。
3. JBAT1からジャンパブロックを取り外します。
4. 電源コードをコンセントに元通りに接続し、電源を投入します。

## POWER1、RESET1: 電源ボタン、リセットボタン

電源/リセットボタンでPCをオン/リセットできます。



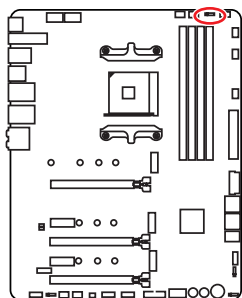
電源ボタン



リセットボタン

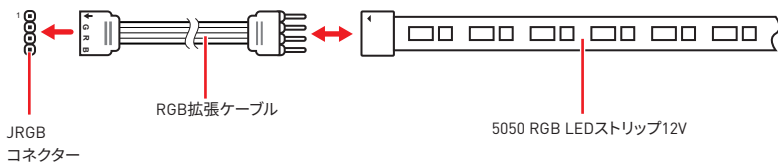
## JRGB1: RGB LEDコネクター

JRGBコネクターは5050 RGB LEDストリップ12Vを接続します。

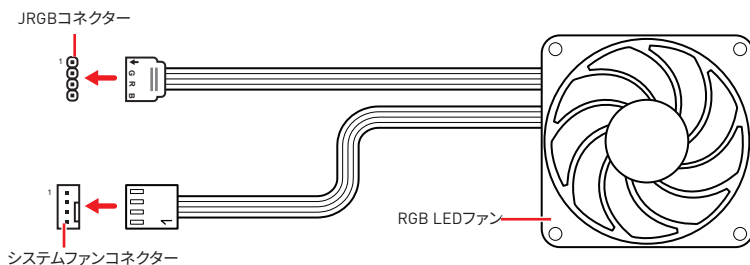


1			
1	+12V	2	G
3	R	4	B

## RGB LEDストリップコネクター



## RGB LEDファンコネクター



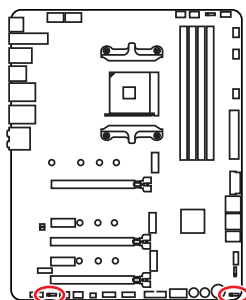
### ⚠ 注意

- JRGB コネクターは長さ2m以下のものを御使用ください。定格最大出力は3A (12V) で、5050 RGB LEDストリップ(12V/G/R/B)をサポートします。
- RGB LEDストリップの着脱は、必ず電源ユニットのスイッチをオフにして電源コードを抜いた状態で実施してください。
- MSIのソフトウェアで拡張 LEDストリップをコントロールします。



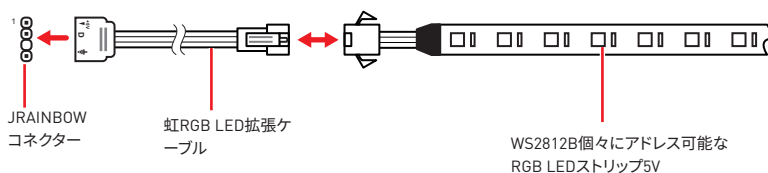
## JRAINBOW1~2: 追加のRGB LEDコネクター

JRAINBOWコネクターは WS2812B個々にアドレス可能なRGB LEDストリップ5Vを接続することができます。

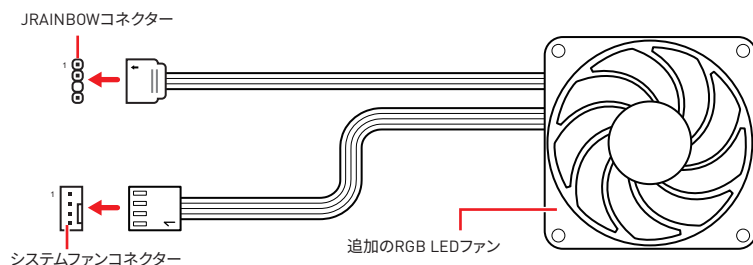


1			
1	+5V	2	Data
3	No Pin	4	Ground

### 追加のRGB LEDストリップコネクター



### 追加のRGB LEDファンコネクター



### 警告

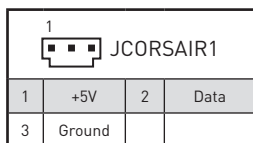
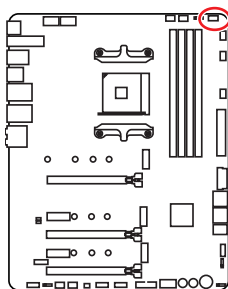
間違ったタイプのLEDストリップを接続しないでください。JRGBコネクターとJRAINBOW1コネクターは異なる電圧を供給し、5V LEDストリップをJRGBコネクターに接続すると、LEDストリップが損傷します。

### 注意

- JRAINBOWコネクターの定格最大出力は3A (5V)で、75 LED WS2812B個々にアドレス可能なRGB LEDストリップ (5V/Data/Ground)をサポートします。20%の輝度の場合には、コネクターは最大200 LEDをサポートします。
- RGB LEDストリップの着脱は、必ず電源ユニットのスイッチをオフにして電源コードを抜いた状態で実施してください。
- MSIのソフトウェアで拡張LEDストリップをコントロールします。

## JCORSAIR1: CORSAIRコネクター

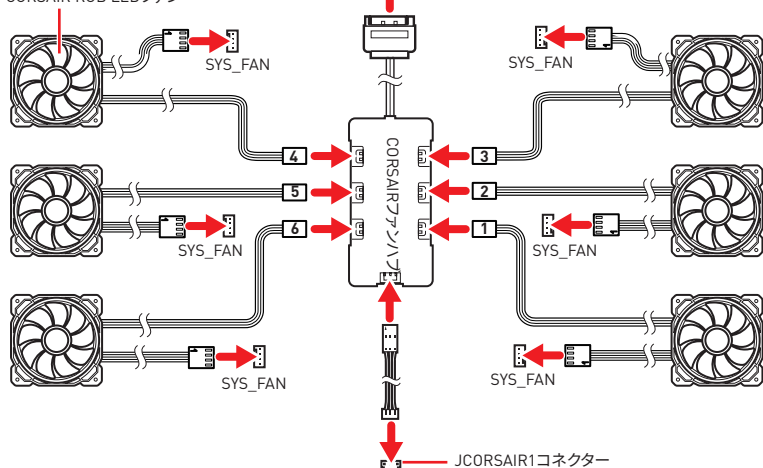
JCORSAIR1コネクターはCORSAIRファンハブでCORSAIR個々にアドレス可能なLighting PRO RGB LEDストリップ5VまたはCORSAIR RGBファンを接続することができます。全ての項目が正しく接続されると、MSIのソフトウェアでCORSAIR RGB LEDストリップとファンをコントロールできます。



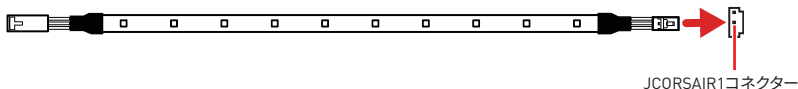
### CORSAIR RGBファンコネクター



CORSAIR RGB LEDファン



### CORSAIR Lighting Node PROの接続



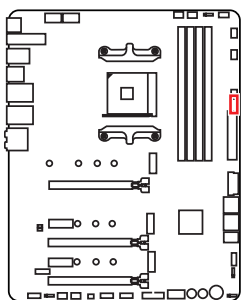
#### 注意

- ファンは1から始まり、1 > 2 > 3 > 4 > 5 > 6の順に直列に接続する必要があります。直列に接続されないファンは通信を断絶し、RGB LEDライティングの機能が動作しない恐れがあります。
- RGB LEDファンの数またはサポートのRGB LED Lighting PROストリップはモデルによって異なる場合があります。マザーボードの仕様をご参照ください。
- CORSAIR RGB LEDファンとCORSAIR Lighting Node PRO ストリップが同時に使用されません。

# オンボードLED

## EZ Debug LED

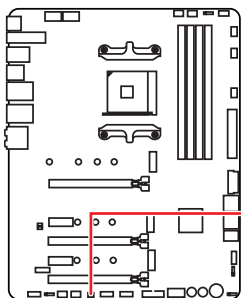
これらのLEDはマザーボードのデバッグ状態を表示します。



- CPU** - CPUが検出されないか、または認識に失敗したことを示します。
- DRAM** - DRAMが検出されないか、または認識に失敗したことを示します。
- VGA** - GPUが検出されないか、または認識に失敗したことを示します。
- BOOT** - ブートデバイスが検出されないか、または認識に失敗したことを示します。

## JPWRLED1: LED電源入力

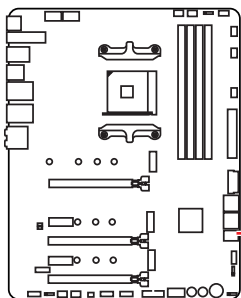
このコネクタは販売店よりオンボードLEDの照明効果を示します。



JPWRLED1 - LED電源入力

## Debug Code LED

デバッグコードLEDにはPOST中・POST後の進行状況とエラーコードが表示されます。詳細についてはデバッグコードLED一覧表をご参照ください。



Debug Code LED

## 16進文字一覧表

16進数	0	1	2	3	4	5	6	7	8	9	A	B	C	D	E	F
デバッグコードLED表示	0	1	2	3	4	5	6	7	8	9	A	b	c	d	e	F

## ブートフェーズ

**Security (SEC)** - 初期のローレベル初期化

**Pre-EFI Initialization (PEI)** - メモリ初期化

**Driver Execution Environment (DXE)** - メインハードウェア初期化

**Boot Device Selection (BDS)** - システムセットアップ、pre-OSユーザーインターフェースおよび起動可能なデバイスの選択 (CD/DVD、HDD、USB、ネットワーク、Shell、…)

## デバッグコードLED一覧表

### SEC進行コード

01	電源オン。タイプ検出をリセット (ソフト/ハード)
02	マイクロコードロード前のAP初期化
03	マイクロコードロード前のシステムエージェント初期化
04	マイクロコードロード前のPCH初期化
06	マイクロコードロード
07	マイクロコードロード後のAP初期化
08	マイクロコードロード後のシステムエージェント初期化
09	マイクロコードロード後のPCH初期化
0B	キャッシュ初期化

### SECエラーコード

0C - 0D	未定義 (SECエラーコード用に予約済み)
0E	マイクロコードが見つからない
0F	マイクロコードがロードされていない

### PEI進行コード

10	PEIコア開始
11	Pre-memory CPU初期化開始
12 - 14	Pre-memory CPU初期化 (CPUモジュール固有)
15	Pre-memoryシステムエージェント初期化開始
16 - 18	Pre-Memoryシステムエージェント初期化 (システムエージェントモジュール固有)
19	Pre-memory PCH初期化開始
1A - 1C	Pre-memory PCH初期化 (PCHモジュール固有)
2B	メモリ初期化:SPD(Serial Presence Detect)データの読み込み

2C	メモリ初期化:メモリ存在確認
2D	メモリ初期化:メモリタイミング情報のプログラミング
2E	メモリ初期化:メモリ設定
2F	メモリ初期化:その他
31	メモリが装着された
32	CPU post-memory初期化開始
33	CPU post-memory初期化:キャッシュ初期化
34	CPU post-memory初期化:アプリケーションプロセッサ(AP)初期化
35	CPU post-memory初期化:ブートストラッププロセッサ(BSP)選択
36	CPU post-memory初期化:システムマネジメントモード(SMM)初期化
37	Post-Memoryシステムエージェント初期化開始
38 - 3A	Post-Memoryシステムエージェント初期化 (システムエージェントモジュール固有)
3B	Post-Memory PCH初期化開始
3C - 3E	Post-Memory PCH初期化 (PCHモジュール固有)
4F	DXE IPL開始

## PEIエラーコード

4B	メモリが取り付けられない (Summit CPUの場合)
E0	メモリが取り付けられない (Bristol CPUの場合)

## DXE進行コード

60	DXEコア開始
61	NVRAM初期化
62	PCHランタイムサービスのインストール
63	CPU DXE初期化開始
64 - 67	CPU DXE初期化 (CPUモジュール固有)
68	PCIホストブリッジ初期化
69	システムエージェントDXE初期化開始
6A	システムエージェントDXE SMM初期化開始
6B - 6F	システムエージェントDXE初期化 (システムエージェントモジュール固有)
70	PCH DXE初期化開始
71	PCH DXE SMM初期化開始
72	PCHデバイス初期化
73 - 77	PCH DXE初期化 (PCHモジュール固有)
78	ACPIモジュール初期化
79	CSM初期化
7A - 7F	未定義 (DXEコード用に予約済み)
90	ブートデバイス選択フェーズ開始
91	ドライバー接続開始
92	PCIバス初期化開始
93	PCIバスホットプラグコントローラー初期化

94	PCIバス Enumeration 32
95	PCIバス リソース要求
96	PCIバス リソース割り当て
97	コンソール出力デバイスの接続
98	コンソール入力デバイスの接続
99	スーパーIO初期化
9A	USB初期化開始
9B	USBリセット
9C	USB検出
9D	USB有効
9E -9F	未定義 (予約済み)
A0	IDE初期化開始
A1	IDEリセット
A2	IDE検出
A3	IDE有効
A4	SCSI初期化開始
A5	SCSIリセット
A6	SCSI検出
A7	SCSI有効
A8	パスワード確認のセットアップ
A9	セットアップの開始
AB	入力ウェイトのセットアップ
AD	ブートイベント準備完了
AE	レガシーブートイベント
AF	ブートサービスイベント終了
B0	ランタイムセット仮想アドレスMAP開始
B1	ランタイムセット仮想アドレスMAP終了
B2	レガシーOption ROM初期化
B3	システムリセット
B4	USBホットプラグ
B5	PCIバスホットプラグ
B6	NVRAMのクリナップ
B7	設定リセット (NVRAM設定のリセット)
B8 - BF	未定義 (予約済み)

## DXEエラーコード

D0	CPU初期化エラー
D1	システムエージェント初期化エラー。
D2	PCH初期化エラー
D3	有効でないアーキテクチャプロトコルがある

D4	PCIリソース割り当てエラー。リソースが不足している。
D5	レガシーOption ROM用のスペースがない
D6	コンソール出力デバイスが見つからない
D7	コンソール入力デバイスが見つからない
D8	無効パスワード
D9	ブートオプションロード中のエラー (LoadImageがエラーを返した)
DA	ブートオプション失敗 (StartImageがエラーを返した)
DB	フラッシュアップデート失敗
DC	リセットプロトコルが有効でない

### S3レジューム進行コード

E0	S3レジューム開始 (S3 Resume PPIがDXE IPLによってコールされた)
E1	S3ブートスクリプト実行
E2	ビデオリポスト
E3	OS S3 wakeベクトルコール
E4 - E7	未定義 (予約済み)

### S3レジュームエラーコード

E8	S3レジューム失敗
E9	S3レジュームPPIが見つからなかった
EA	S3レジュームブートスクリプトエラー
EB	S3 OS Wakeエラー
EC - EF	未定義 (予約済み)

### リカバリー進行コード

F0	ファームウェアによるリカバリー条件 (自動リカバリー)
F1	ユーザーによるリカバリー条件 (強制リカバリー)
F2	リカバリープロセス開始
F3	リカバリーファームウェアイメージが見つかった
F4	リカバリーファームウェアイメージがロードされた
F5 - F7	未定義 (予約済み)

### リカバリーエラーコード

F8	リカバリーPPIが有効でない
F9	リカバリーカプセルが見つからない
FA	無効なりカバリーカプセル
FB - FF	未定義 (予約済み)

## ACPIステータスコード

下記のコードはOSがACPIモードに入っている際に表示されます。

01	システムがS1スリープ状態です
02	システムがS2スリープ状態です
03	システムがS3スリープ状態です
04	システムがS4スリープ状態です
05	システムがS5スリープ状態です
10	システムがS1スリープ状態から復帰中です
20	システムがS2スリープ状態から復帰中です
30	システムがS3スリープ状態から復帰中です
40	システムがS4スリープ状態から復帰中です
AC	システムはACPIモードに移行中です。割り込みコントローラーはAPICモードです。
AA	システムがACPIモードに推移しております。割り込みコントローラーがAPICモードです。



# OS、ドライバーおよびユーティリティのインストール

www.msi.comから最新のユーティリティとドライバーをダウンロードしてアップデートしてください。

## Windows® 10のインストール

1. PCの電源をオンにします。
2. Windows® 10のインストールメディアを光学ドライブに挿入します。
3. PCケースの**Restart**ボタンを押します。
4. POST (Power-On Self Test)中に**F11**キーを押し、ブートメニューに入ります。
5. ブートメニューから光学ドライブを選択します。
6. **Press any key to boot from CD or DVD...** というメッセージが表示されたら、任意のキーを押します。(スペースキーやEnterキーが無難です。)
7. 画面に表示される説明に従ってWindows® 10をインストールします。

## ドライバーのインストール

1. Windows® 10を起動させます。
2. MSI®ドライバーディスクを光学ドライブに挿入します。
3. 「**Select to choose what happens with this disc**」ポップアップ通知をクリックし、それから**Run DVDSetup.exe** を選択してインストーラーを開きます。Windowsコントロールパネルからの自動再生機能をオフにすると、ユーザーはまだMSIドライバーディスクのルートパスから**DVDSetup.exe**を手動で実行します。
4. インストーラーが自動的に起動し、必要なドライバーを全部リストアップします。
5. **Install**ボタンをクリックします。
6. ソフトウェアのインストールが始まります。完了した後にシステムの再起動を促されません。
7. **OK** ボタンを押して、インストールを完了させます。
8. PCを再起動させます。

## ユーティリティのインストール

ユーティリティをインストールする前に、ドライバーのインストールが完了している必要があります。

1. インストーラーが自動的に起動します。
2. **Utilities**タブをクリックします。
3. インストールしたいユーティリティを選択します。
4. **Install** ボタンをクリックします。
5. ユーティリティのインストールが始まります。完了した後にシステムの再起動を促されます。
6. **OK** ボタンを押して、インストールを完了させます。
7. PCを再起動させます。

# BIOSの設定

BIOSのデフォルト設定は、通常の使用においてシステムの安定性のために最適な性能を提供します。ユーザーがBIOSに精通していない場合は、起こり得るシステムへのダメージや起動の失敗を防ぐために、常にデフォルト設定のままにすべきです。



## 注意

- BIOSは性能の向上のために、継続的に変更と修正が行われています。最新のBIOSと本書の内容に齟齬が発生してしまう場合があります。あらかじめご承知おきください。BIOSの設定項目の詳細はHELP情報パネルを参照してください。

本章の図はあくまでも一例です。お買い上げの製品と異なる場合がありますので、ご承知おきください。

- プロセッサによってBIOSの項目は異なる場合があります。

## BIOSセットアップ画面の起動

起動中に、「Press DEL key to enter Setup Menu, F11 to enter Boot Menu」というメッセージが表示されている間に、<Delete>キーを押してください。

### 機能キー

F1: ヘルプを参照する

F2: Favorites項目を追加/ 削除する

F3: Favorites メニューに入る

F4: CPU仕様メニューに入る

F5: Memory-Zメニューに入る

F6: Optimized defaultsをロードする

F7: アドバンスモードとEZモードの間に切り替える

F8: OCプロファイルをロードする

F9: OCプロファイルをセーブする

F10: 設定を保存して再起動させる\*

F12: スクリーンショットが撮られ、USBメモリに保存されます (FAT/ FAT32フォーマットのみ)

Ctrl+F: 検索ページに入る

\* <F10>キーを押すと確認ウィンドウが表示され、修正情報が表示されます。YesまたはNoを選択して確認してください。

## BIOSのリセット

特定の問題を解決するために、BIOSをセファルト設定に戻す必要があります。BIOSのリセットにはいくつかの方法があります。

- BIOSセットアップ画面で<F6>キーを押してOptimized defaultsをロードする。
- マザーボード上の**クリアCMOS** ジャンパをショートする。



**注意**

CMOSデータをクリアする前に、必ずPCの電源がオフであることを確認してください。BIOSのリセットについては**クリアCOMS**ジャンパセクションをご参照ください。

## BIOSのアップデート方法

### M-FLASH での BIOS アップデート

アップデートの前に:

MSI の WEB サイトから最新の BIOS ファイルをダウンロードし、USB メモリのルートフォルダにコピーします。

BIOSのアップデート

1. POST中に<Delete>キーを押してBIOSセットアップ画面に入ります。
2. アップデートするBIOSイメージファイルを含むUSBメモリをマザーボードのUSBポートに挿入します。
3. **M-FLASH**タブを選択し、**Yes**をクリックしてシステムを再起動させ、フラッシュモードに入ります。
4. BIOSイメージファイルを一つ選択し、BIOSアップデートのプロセスを開始させます。
5. アップデートプロセスが完了した後、システムが自動的に再起動します。

### MSI DRAGON CENTER での BIOS アップデート

アップデートの前に:

LAN ドライバーがインストールされ、インターネット接続が正しく設定されていることを確認してください。

BIOS のアップデート:

1. MSI DRAGON CENTER をインストールして起動させます。
2. **BIOS アップデート**を選択します。
3. 「**スキャン**」 ボタンをクリックします。
4. ダウンロードアイコンをクリックし、最新のBIOSファイルをダウンロードしてインストールします。
5. **Next** をクリックして **In Windows mode** を選択します。それから、**Next** と **Start** をクリックして BIOS のアップデートを始めます。
6. アップデートプロセスが完了した後、システムが自動的に再起動します。

## Flash BIOSボタンでのBIOSアップデート

アップデートの前に:

MSIのWEBサイトから最新のBIOSファイルをダウンロードし、BIOSファイルの名前をMSI.ROMに変更します。それをUSBメモリのルートフォルダにコピーします。



**Flash BIOSボタン**で使用できるのは、FAT32フォーマットされたUSBメモリのみです。

1. 電源を **CPU\_PWR1**と**ATX\_PWR1**コネクタに接続します。[電源ユニット以外を取り付ける必要はありません。]
2. MSI.ROMファイルを含むUSBメモリをマザーボードの**Flash BIOS**ポートに挿入します。
3. **Flash BIOS**ボタンを押すとBIOSの書き込みが始まり、LEDが点滅し始めます。
4. BIOSアップデートが完了するとLEDの点滅が止まり、オフになります。

## EZモード

EZモードには、基本的なシステム情報が表示され、ユーザーは基本的な設定を行うことができます。詳細なBIOS設定を行う場合には、**Setup Modeスイッチ**または<F7>キーを押してアドバンスモードに入ります。



● **Game Boostスイッチ (オプション)** - 中央のボタンをクリックして、ソフトウェア (SW)とハードウェア (HW)のどちらで行うかを切り替えます。内側の円はハードウェアによるGAME BOOSTの現在のレベルを表し、外側の円はソフトウェア出の状態を表します。右隅の疑問符をクリックすることで、GAME BOOSTの能力を確認できます。

### ⚠ 注意

GAME BOOST機能の有効時には、最適のパフォーマンスとシステムの安定性を維持するために、OCメニュー内の設定を変更しないでください。またデフォルト設定をロードしないでください。

● **A-XMPスイッチ (オプション)** - 内側の円をクリックして、A-XMPを有効または無効にします。外側の円に切り替えると、メモリプロファイルを選択します。装着されたメモリモジュールが本機能をサポートする場合に、このスイッチが利用可能です。

● **Setup Modeスイッチ** - このタブまたは<F7>キーを押すことで、アドバンスモードとEZモードを切り替えます。

● **スクリーンショット** - このタブまたは<F12>キーを押すことで、スクリーンショットが撮られ、USBメモリに保存されます。(FAT/ FAT32フォーマットのみ)

● **検索** - このタブまたはCtrl+Fをクリックすると、検索ページが表示されます。BIOS項目の名前で検索でき、項目の名前を入力して項目のリストを見つけます。マウスを空欄に移動し、マウスを右クリックして検索ページから終了します。

### ⚠ 注意

検索ページには、F6、F10およびF12機能キーのみが利用可能です。

● **Language(言語)** - BIOSセットアップ画面で使用する言語を選択します。

● **システム情報** - CPU/ DDRスピード、CPU/ MB温度、MB/ CPUのタイプ、メモリのサイズ、CPU/ DDR電圧、BIOSバージョンと作成日を表示されます。

● **ブートデバイス優先順位バー** - デバイスアイコンを移動させることで、ブートデバイスの優先順序を変更できます。優先順序は最も左にあるものが一番高く、右へ行くほど低くなります。

● **情報ディスプレイ** - 左側の**CPU、Memory、Storage、Fan Info**および**Help** ボタンを押すと、関連した情報が表示されます。

● **ファンクションボタン** - 各ボタンをクリックすることで、**ROM、ErP Ready、AHCI/RAID、Indication LED Control、BIOS UEFI/CSM Mode**および**RGB Light Control**を有効または無効にします。

● **M-Flash** - このボタンを押すと、**M-Flash**メニューが表示されます。USBメモリを使ってBIOSをアップデートする方法を提供します。

● **ハードウェアモニター** - このボタンを押すと、**Hardware Monitor** メニュー表示されます。パーセンテージでファンのスピードを手動でコントロールできます。

● **Favorites menu【お気に入り】** - **Favorites**タブまたは**<F3>**キーを押すと、**Favorites**メニューが表示されます。個人用BIOSメニューを作成し、その中でユーザーのお気に入りや頻繁に使用するBIOSの設定項目を保存してアクセスできます。

▪ **Default HomePage** - 特定のBIOSメニューをBIOSのホームページとして選択できません。(例:SETTINGS, OC, その他)

▪ **Favorite1~5** - 一つのページにお気に入りや頻繁に使用するBIOS設定項目を加えます。

#### ▪ BIOS設定項目をFavoriteページに追加する (Favorite 1~5)

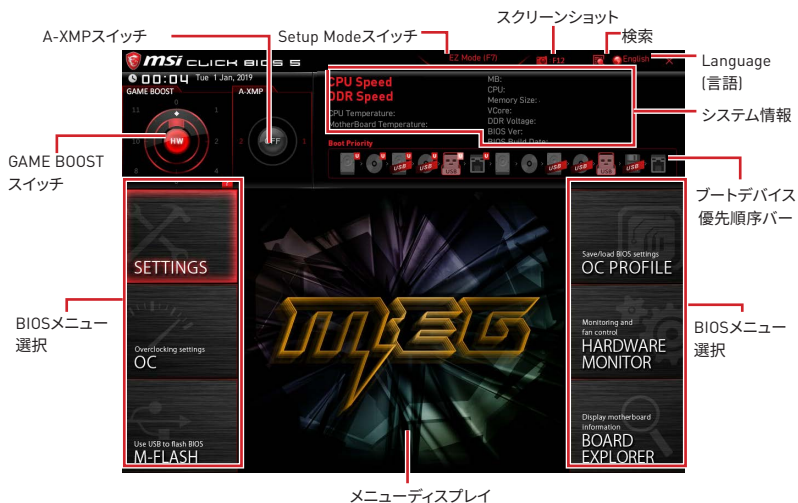
1. BIOSメニューにだけでなく検索ページにもマウスをBIOS項目に移動します。
2. 右クリックをするか、または**<F2>**キーを押します。
3. Favoriteページを一つ選択して**OK**をクリックします。

#### ▪ BIOS設定項目をFavoriteページから削除する

1. Favoriteページ内のBIOS項目を選択します。(Favorite 1~5)
2. 右クリックをするか、または**<F2>**キーを押します。
3. **Delete**を選択し**OK**をクリックします。

## アドバンスモード

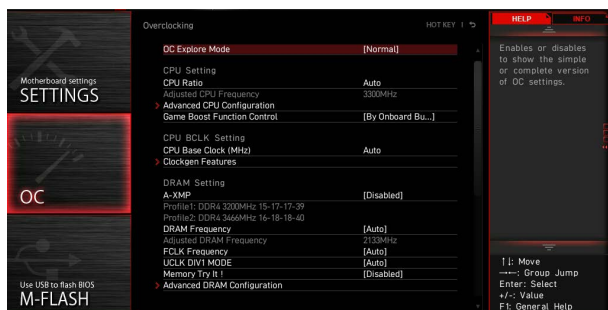
Setup Modeスイッチまたは <F7>キーを押すと、BIOSのセットアップ画面においてEZモードとアドバンスモードが切り替わります。



- **BIOSメニュー選択** - 以下のメニューが利用できます：
  - **SETTINGS** - チップセットのパラメータとブートデバイスを指定できます。
  - **OC** - 周波数の引き上げによって、より良いパフォーマンスが得られるでしょう。
  - **M-FLASH** - USBを使用してBIOSをアップデートできます。
  - **OC PROFILE** - OCプロファイルを管理します。
  - **HARDWARE MONITOR** - ファンの回転速度の設定とシステムの各電圧値のモニタができます。
  - **BOARD EXPLORER** - マザーボードに取り付けられたデバイスの情報を表示します。
- **メニューディスプレイ** - 設定されたBIOSの設定項目と情報が表示されます。

## OCメニュー

マザーボードのオーバークロックを行いたい上級者向けのメニューです。



### 注意

- 手動でのオーバークロックは上級者以外にはお薦めしません。
- オーバークロックによる故障は製品保証の対象外となりますのでご注意ください。不適切な操作は製品の保証を無効にさせ、またハードウェアに深刻なダメージを与えるおそれがあります。
- オーバークロックに精通していない場合は、**GAME BOOST**機能による簡単なオーバークロックをお薦めします。
- プロセッサによりBIOSの項目は異なる場合があります。

#### ▶ OC Explore Mode [Normal]

OC設定の表示項目をnormal(通常)またはexpert(専門)のどちらにするか設定します。

[Normal] BIOS設定に通常のOC設定項目を使用します。

[Expert] BIOS設定にOC上級者向けの詳細なOC設定項目を使用します。

注意: 以降の説明ではExpertモードのみで表示される設定項目に"\*" (アスタリスク)を使用します。

#### ▶ CPU Ratio [Auto]

CPU倍率を設定し、CPUクロックの速度を変更します。プロセッサがこの設定をサポートする場合にのみこの項目は変更できます。

#### ▶ Advanced CPU Configuration

<Enter>キーを押すと、サブメニューが表示されます。CPU電源/電流に関するパラメーターを設定できます。パラメーターを変更した後、システムが不安定になったり、起動しなくなったりすることがあります。その場合は、CMOSデータをクリアし、デフォルト設定に戻してください。

#### ▶ Game Boost Function Control [By Onboard Button]

BIOSに仮想ボタンまたはマザーボードの物理的なボタンでGAME BOOSTを有効にします。

#### ▶ A-XMP [Disabled]

メモリをオーバークロックのために、A-XMPを有効にし、メモリモジュールのプロファイルを選択してください。装着したプロセッサ、メモリモジュール、マザーボードが本機能をサポートする場合に、この項目は利用可能になります。



### ▶ DRAM Frequency [Auto]

DRAM周波数を設定します。オーバークロック時の動作は保証されませんのでご注意ください。

### ▶ FCLK Frequency [Auto]

FCLK(Internal Data Fabric clock of DRAM)周波数を設定します。オーバークロック時の動作は保証されませんのでご注意ください。

### ▶ UCLK DIV1 Mode [Auto]

UCLK (Internal memory controller clock)モードを設定します。

### ▶ Memory Try It ! [Disabled]

**Memory Try It!**は最適なメモリプリセットを選択することにより、メモリの互換性または性能を改善します。

### ▶ Adjusted DRAM Frequency

調整後のDRAM周波数を表示します。読み取り専用です。

### ▶ Advanced DRAM Configuration

<Enter>キーを押すと、サブメニューが表示されます。個別または全てのメモリチャンネルに対してメモリタイミングを設定できます。メモリタイミングを変更した後、システムが不安定になったり、起動しなくなったりすることがあります。その場合は、CMOSデータをクリアし、デフォルト設定に戻してください。[クリアCMOSジャンパ/ボタンの節を参照してCMOSのクリアを行い、クリア後BIOSの設定画面でデフォルト設定をロードしてください。]

### ▶ DigitALL Power

<Enter>キーを押すと、サブメニューが表示されます。CPU PWM関連のデジタルパワーをコントロールします。

#### ▶ CPU Loadline Calibration Control [Auto]

CPU電圧がCPUの負荷に比例して低下します。高いパーセンテージほどより高い電圧と優れたオーバークロック性能を得ることができますが、CPUとVRMの温度が高くなる可能性があります。“Auto”に設定すると、BIOSによって自動的に設定されます。

#### ▶ CPU Over Voltage Protection [Auto]

CPU過電圧保護の電圧限度を設定します。“Auto”に設定すると、BIOSが自動的に設定します。より高い電圧を設定した場合、保護機能が働くまでの余度が少なくなるため、システムに損害を与えるおそれがあります。

#### ▶ CPU Under Voltage Protection [Auto]

CPU低電圧保護の電圧限度を設定します。“Auto”に設定すると、BIOSが自動的に設定します。より高い電圧を設定した場合、保護機能が働くまでの余度が少なくなるため、システムに損害を与えるおそれがあります。

#### ▶ CPU Over Current Protection [Auto]

CPU過電流保護の電流限度値を設定します。“Auto”に設定すると、BIOSが自動的に行います。

[Auto] BIOSにより自動的に設定を行います。

[Enhanced] 過電流保護の電流範囲を拡張します。

#### ▶ CPU NB Loadline Calibration Control [Auto]

CPU-NB電圧がCPU-NBの負荷に比例して低下します。高いパーセンテージほどより高い電圧と優れたオーバークロック性能を得ることができますが、CPU-NBとVRMの温度が高くなる可能性があります。“Auto”に設定すると、BIOSによって自動的に設定されます。

#### ▶ CPU Voltages control [Auto]

これらのオプションでCPUに関連した電圧を設定できます。“Auto”に設定すると、BIOSが自動的に設定を行います。ユーザーも手動で設定を行うことができます。

#### ▶ DRAM Voltages control [Auto]

これらのオプションでメモリに関連した電圧を設定できます。“Auto”に設定すると、BIOSが自動的に設定を行います。ユーザーも手動で設定を行うことができます。

#### ▶ Memory Changed Detect [Enabled]\*

CPUまたはメモリが交換された場合、システムのブート中に警告メッセージを表示する機能を有効または無効にします。

[Enabled] システムのブート中に警告メッセージを表示させます。新しいデバイスのためにデフォルト設定をロードする必要があります。

[Disabled] この機能を無効にし、現在のBIOS設定を保持します。

#### ▶ CPU Specifications

<Enter>キーを押すと、サブメニューに入ります。サブメニューには取り付けられたCPUの情報が表示されます。<F4>キーを押すことで、いつでもこの情報メニューにアクセスできます。読み取り専用です。

#### ▶ CPU Technology Support

<Enter>キーを押すと、サブメニューが表示されます。取り付けられたCPUがサポートするテクノロジーが表示されます。読み取り専用です。

#### ▶ MEMORY-Z

<Enter>キーを押すと、サブメニューに入ります。サブメニューには取り付けられたメモリの設定とタイミングが全て表示されます。<F5>キーを押すと、いつでもこの情報メニューにアクセスできます。

#### ▶ DIMMx Memory SPD

<Enter>キーを押すと、サブメニューに入ります。取り付けられたメモリの情報が表示されます。読み取り専用です。

#### ▶ CPU Features

<Enter>キーを押すと、サブメニューに入ります。

#### ▶ Simultaneous Multi-Threading [Enabled] (オプション)

AMD Simultaneous Multi-Threadingを有効または無効にします。この項目はCPUがこのテクノロジーをサポートする場合にのみ表示されます。

#### ▶ Global C-state Control [Enabled] (オプション)

C-stateジェネレーションに基づきのIOとDF C-statesを有効または無効にします。

### ▶ Opcache Control [Auto] (オプション)

Opcacheを有効または無効にします。Opcacheは直近のデコード命令を保存し、命令が繰り返された場合のデコード時間を節約します。CPUパフォーマンスを向上させ、電力消費を軽減することもできます。

### ▶ IOMMU Mode (オプション)

I/O仮想化のためにIOMMU (I/O メモリ管理装置)を有効または無効にします。

### ▶ Spread Spectrum (オプション)

本機能はクロック変換器パルスを変調することで、電磁妨害を軽減する効果があります。

[Enabled] Spread spectrum機能を有効にして、電磁妨害を軽減します。

[Disabled] CPUベースクロックのオーバークロック能力を向上します。



### 注意

- 特に電波障害などの問題が無い場合は、システムの安定性と性能を確保するために [Disabled] に設定して下さい。また、電波障害などが発生した場合は、必ず [Enabled] に設定して障害の軽減に努めて下さい。
- Spread Spectrumの値が大きければ大きいほどノイズ除去効果が高まりますが、システムの安定度は低下します。
- オーバークロック動作実験をする場合は、必ず [Disabled] に設定して下さい。

### ▶ Relaxed EDC throttling [Auto] (オプション)

Relaxed EDC throttlingは、プロセッサがコアを抑制の時間を減少します。

[Auto] AMDの推薦。

[Enabled] プロセッサが抑える時間を減少します。

[Disabled] 部分指定のEDC絞り保護を有効にします。

### ▶ AMD Cool' n' Quiet [Enabled]

Cool' n' QuietテクノロジーはCPUの速度と電力消費を効果的に、それにダイナミックに低下します。

### ▶ SVM Mode [Enabled]

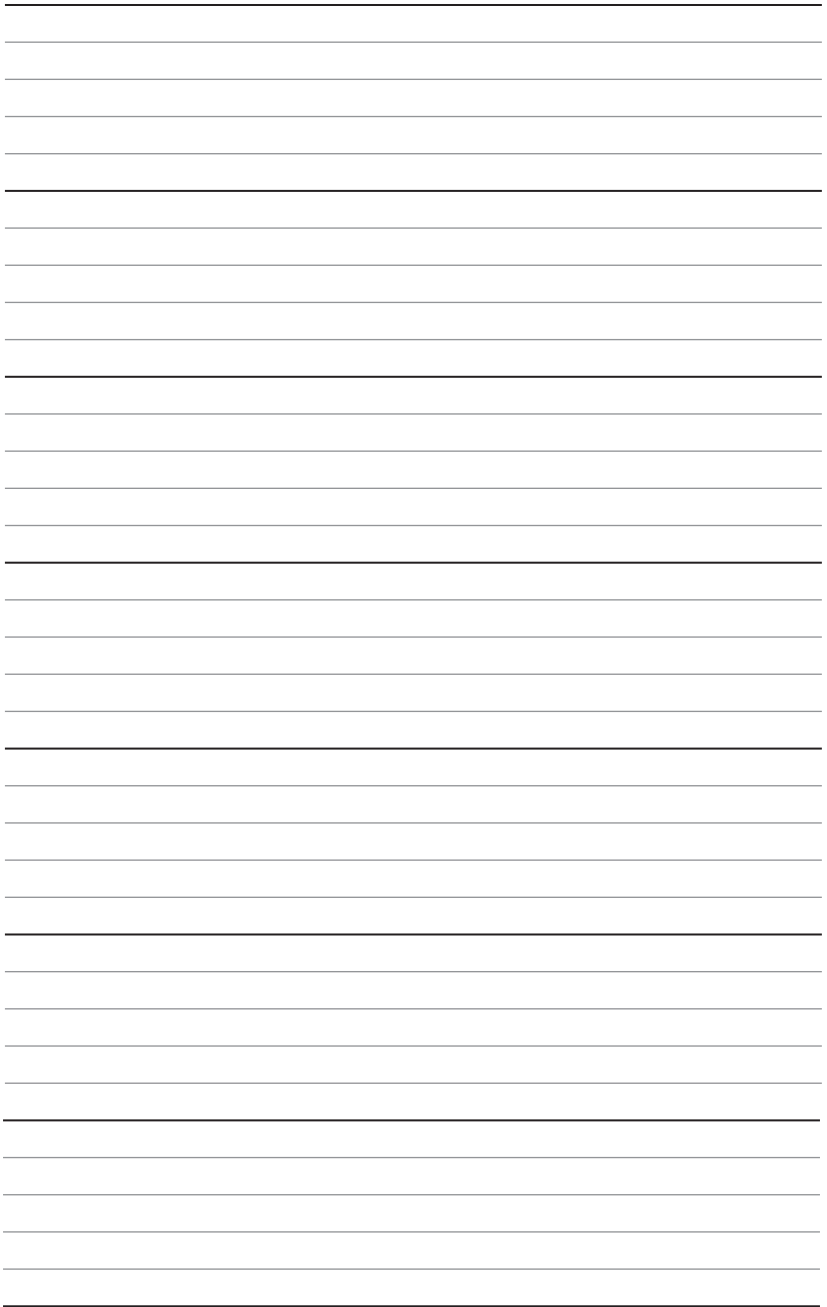
AMD SVM (Secure Virtual Machine) Modeを有効または無効にします。

### ▶ BIOS PSP Support [Enabled] (オプション)

BIOS PSPサポートを有効または無効にします。全てのC2P/P2C mailbox、Secure S3、fTPMサポートを含むPSPサブ項目を管理できます。

### ▶ Power Supply Idle Control [Auto] (オプション)

全てのコアをnon-CO状態にすると、CPUの節電コントロールモードを選択できます。”Auto”に設定すると、BIOSが自動的に設定を行います。



# 목차

<b>안전 지침</b> .....	<b>3</b>
<b>사양</b> .....	<b>4</b>
JCORSAIR1 커넥터 사양 .....	11
<b>제품 내용물</b> .....	<b>11</b>
<b>후면 I/O 패널</b> .....	<b>12</b>
LAN 포트 LED 상태 표시 .....	12
오디오 포트 구성 도표 .....	12
Realtek 오디오 콘솔 .....	13
안테나 설치하기 .....	15
<b>구성품 개요</b> .....	<b>16</b>
프로세서 소켓 .....	17
DIMM 슬롯 .....	18
PCI_E1~5: PCIe 확장 슬롯 .....	19
M2_1~3: M.2 슬롯 (Key M) .....	21
SATA1~4: SATA 6Gb/s 커넥터 .....	23
JFP1, JFP2: 전면 패널 커넥터 .....	23
CPU_PWR1~2, ATX_PWR1: 전원 커넥터 .....	24
OC1: GAME BOOST 노브 .....	25
JAUD1: 전면 패널 오디오 커넥터 .....	26
JUSB1: USB 3.2 Gen 2 C타입 커넥터 .....	27
JUSB2~3: USB 3.2 Gen1 커넥터 .....	27
JUSB4~5: USB 2.0 커넥터 .....	28
JTPM1: TPM 모듈 커넥터 .....	28
CPU_FAN1, PUMP_FAN1, SYS_FAN1~5: 팬 커넥터 .....	29
JCI1: 새시 침입 커넥터 .....	30
JBAT1: CMOS (Reset BIOS) 클리어 접퍼 .....	31
POWER1, RESET1: 전원 버튼, 리셋 버튼 .....	31
JRGB1: RGB LED 커넥터 .....	32
JRAINBOW1~2: 주소 지정 가능한 RGB LED 커넥터 .....	33
JCORSAIR1: CORSAIR 커넥터 .....	34
<b>온보드 LEDs</b> .....	<b>35</b>
EZ 디버그 LED .....	35
JPWRLED1: LED 전원 입력 .....	35
<b>디버그 코드 LED</b> .....	<b>35</b>
16진수 도표 .....	36

부팅 페이지 .....	36
디버그 코드 LED 표 .....	36
<b>OS, 드라이버 &amp; 유틸리티 설치하기 .....</b>	<b>41</b>
Windows® 10설치하기 .....	41
드라이버 설치하기 .....	41
유틸리티 설치하기 .....	41
<b>BIOS (바이오스) 설정 .....</b>	<b>42</b>
BIOS 설정 .....	42
BIOS 리셋 .....	43
BIOS(바이오스) 업데이트 .....	43
EZ 모드 .....	45
고급 모드 .....	47
OC 메뉴 .....	48

# 안전 지침

- 이 패키지에 포함된 부품은 정전기 방전(ESD)에 의해 파손될 우려가 있으므로 다음의 설명에 따라 컴퓨터를 조립하기 바랍니다.
- 모든 부품이 제대로 연결되었는지 확인하세요. 제대로 연결되지 않을 경우, 컴퓨터가 부품을 인식하지 못하거나 컴퓨터를 켤 수가 없게 됩니다.
- 부품의 예리한 부분에 손을 다칠 수 있으므로 메인보드 취급시 가장자리 부분을 잡기 바랍니다.
- 메인보드를 취급할 때 정전기로 인한 피해를 방지하기 위해 정전기 방전 ESD 손목 스트랩을 착용할 것을 권장합니다. ESD 손목 스트랩이 없을 경우, 다른 금속 물체를 접촉하는 방법으로 방전하시기 바랍니다.
- 메인보드의 설치여부를 막론하고 메인보드를 정전 차폐 컨테이너 또는 정전기 방지 패드 위에 보관하기 바랍니다.
- 컴퓨터의 전원을 켜기 전에 메인보드 또는 컴퓨터 케이스에 느슨한 스크류 또는 금속 부품이 없는지 확인합니다.
- 설치가 완료되기 전에 컴퓨터를 부팅하지 마세요. 그럴 경우, 부품이 영구적으로 손상되거나 사용자가 다칠 수 있습니다.
- 설치시 도움이 필요하다면 컴퓨터 기술자에게 도움을 요청하시기 바랍니다.
- 컴퓨터 부품을 설치하거나 제거하기 전에 항상 시스템 전원을 끄고 전원 코드를 콘센트에서 분리합니다.
- 나중에 참조할 수 있도록 사용 설명서를 보관해두세요.
- 메인보드를 습기가 있는 곳에서 사용하지 마세요.
- PSU를 전원 콘센트에 연결하기 전에 전원 콘센트가 PSU에 표시된 전압과 동일한 전압을 제공하는지 확인하세요.
- 전원 코드가 발에 밟히지 않도록 설치하세요. 전원 코드 위에 물건을 올려놓지 마세요.
- 메인보드에 표시된 모든 주의사항 및 경고를 유의하기 바랍니다.
- 다음 상황이 발생하면, 서비스 담당에게 장치 점검을 받으세요.
  - 액체가 장치 안에 스며들었습니다.
  - 메인보드가 습기에 노출되었습니다.
  - 메인보드가 제대로 작동하지 않거나 사용 설명서에 따라 사용해도 작동되지 않습니다.
  - 메인보드가 떨어졌거나 손상되었습니다.
  - 메인보드가 확실히 파손될 우려가 있는 부분이 있습니다.
- 메인보드를 주변온도 60°C (140°F) 이상에 두지 마세요. 메인보드가 손상될 수 있습니다.

# 사양

CPU	AM4 소켓을 사용한 2세대 및 3세대 AMD Ryzen™ / Radeon™ 베가 그래픽이 내장된 Ryzen™ / Radeon™ 그래픽이 내장된 2세대 AMD Ryzen™ 데스크탑 프로세서 지원
칩셋	AMD® X570 칩셋
메모리	<ul style="list-style-type: none"> <li>• DDR4 메모리 슬롯 4 개, 최대 128GB* 지원             <ul style="list-style-type: none"> <li>▪ 3 세대 AMD Ryzen™ 프로세서는 DDR4 1866/ 2133/ 2400/ 2667/ 2800/ 2933/ 3000/ 3066/ 3200 MHz (by JEDEC) 및 2667/ 2800 /2933 /3000 /3066 /3200 /3466 /3600/ 3733 /3866 /4000 /4133 /4266 /4400 /4533 /4600 MHz (by A-XMP OC 모드 ) 지원</li> <li>▪ 2 세대 AMD Ryzen™ 프로세서 , Radeon™ 베가 그래픽이 내장된 1 세대 및 2 세대 AMD Ryzen™ 프로세서는 DDR4 1866/ 2133/ 2400/ 2667/ 2800/ 2933/ 3000/ 3066/ 3200 MHz (by JEDEC) 및 2667 /2800 / 2933 /3000 /3066 /3200 /3466 /3600 MHz (by A-XMP OC 모드 ) 지원</li> </ul> </li> <li>• 듀얼 채널 메모리 지원</li> <li>• non-ECC UDIMM 메모리 지원</li> <li>• ECC UDIMM 메모리 지원 (non-ECC 모드 )</li> <li>• un-buffered 메모리 지원</li> </ul> <p>* 호환되는 메모리에 대한 더 많은 정보는 <a href="http://www.msi.com">http://www.msi.com</a>을 방문하여 알아보시기 바랍니다.</p>
확장 슬롯	<ul style="list-style-type: none"> <li>• PCIe 4.0/ 3.0 x16 슬롯 2개 (PCI_E1, PCI_E3)             <ul style="list-style-type: none"> <li>▪ 3세대 AMD Ryzen™ 프로세서는 PCIe 4.0 x16/x0, x8/x8 모드 지원</li> <li>▪ 2세대 AMD Ryzen™ 프로세서는 PCIe 3.0 x16/x0, x8/x8 모드 지원</li> <li>▪ Radeon™ 베가 그래픽이 내장된 Ryzen™ 과 Radeon™ 그래픽이 내장된 2세대 AMD Ryzen™ 프로세서는 PCIe 3.0 x8 모드 지원*</li> </ul> </li> <li>• PCIe 4.0/ 3.0 x16 슬롯 1개 (PCI_E5, x4 모드 지원)</li> <li>• PCIe 4.0/ 3.0 x1 슬롯 2개**</li> </ul> <p>* PCI_E3 슬롯은 2세대 및 3세대 AMD Ryzen™ 프로세서에서만 사용 가능합니다.          ** PCIe x1 슬롯은 동시에 사용할 수 없습니다. PCIe 카드가 PCI_E4 슬롯에 설치된 경우 PCI_E2를 사용할 수 없습니다.          ***속도는 장치에 따라 다를 수 있습니다.</p>
멀티-GPU	<ul style="list-style-type: none"> <li>• 2-Way NVIDIA® SLI® 기술 지원</li> <li>• 3-Way AMD® CrossFire™ 기술 지원</li> </ul>

다음 페이지에서 계속



이전 페이지로부터 계속

LAN	인텔® WGI211AT Gigabit LAN 컨트롤러 1개 Realtek® RTL8125 2.5 Gbps LAN 컨트롤러 1개
무선 LAN & 블루투스®	인텔® Wi-Fi 6 AX200 <ul style="list-style-type: none"> <li>▪ 802.11 a/b/g/n/ac/ax, MU-MIMO Rx, 2.4GHz- 5GHz (160MHz) 최대 2.4Gbps 지원</li> <li>▪ 블루투스® 5 지원</li> <li>▪ 무선 모듈은 M2_4 (Key-E) 슬롯에 사전 설치되어 있습니다.</li> </ul>
오디오	Realtek® ALC1220 코덱 <ul style="list-style-type: none"> <li>• 7.1-채널 HD 오디오</li> <li>• 옵티컬 S/PDIF 출력 지원</li> </ul>
스토리지	AMD® X570 칩셋 <ul style="list-style-type: none"> <li>• SATA 6Gb/s 포트 4개</li> <li>• M.2 슬롯 2개 (M2_2/ M2_3, Key M)*                         <ul style="list-style-type: none"> <li>▪ PCIe 4.0/ 3.0 x4 및 SATA 6Gb/s 지원</li> <li>▪ 2242/ 2260 /2280 저장 장치 지원</li> </ul> </li> </ul> AMD® 프로세서 <ul style="list-style-type: none"> <li>• M.2 슬롯 1개 (M2_1, Key M)*                         <ul style="list-style-type: none"> <li>▪ PCIe 4.0 x4 (3세대 AMD Ryzen™ 프로세서) 지원</li> <li>▪ PCIe 3.0 x4 (2세대 AMD Ryzen™ 프로세서/ Radeon™ 베가 그래픽이 내장된 Ryzen™ 또는 Radeon™ 그래픽이 내장된 2세대 AMD Ryzen™ 프로세서 ) 지원</li> <li>▪ 2242/ 2260 /2280/ 22110 저장 장치 지원</li> </ul> </li> </ul> *속도는 장치에 따라 다를 수 있습니다.
RAID	AMD® X570 칩셋 <ul style="list-style-type: none"> <li>• RAID 0, RAID 1 및 RAID 10 지원</li> </ul>

다음 페이지에서 계속

이전 페이지로부터 계속

<p><b>USB</b></p>	<p>AMD® X570 칩셋</p> <ul style="list-style-type: none"> <li>▪ USB 3.2 Gen2 (슈퍼 스피드 USB 10Gbps) 3포트(후면 패널에 A타입 2포트, 내장 커넥터 C타입 1 포트)</li> <li>▪ 내장 USB 3.2 Gen1 커넥터를 통해 USB 3.2 Gen1 (슈퍼 스피드 USB) 4포트</li> <li>▪ USB 2.0 (하이 스피드 USB) 6포트 (후면 패널에 A타입 2 포트, 내장 USB 2.0 커넥터를 통해 4포트)</li> </ul> <p>AMD® 프로세서</p> <ul style="list-style-type: none"> <li>▪ USB 3.2 Gen2 (3세대 AMD Ryzen™ ) 또는 USB 3.2 Gen1 (2세대 AMD Ryzen™ / Radeon™ 베가 그래픽이 내장된 Ryzen™ 과 Radeon™ 그래픽이 내장된 2세대 AMD Ryzen™ 프로세서) 후면 패널에 2포트 (A타입 1개, C타입 1개)</li> <li>▪ USB 3.2 Gen1 (슈퍼 스피드 USB) 후면 패널에 A타입 2포트</li> </ul>
<p><b>I/O 컨트롤러</b></p>	<p>NUVOTON NCT6797 컨트롤러 칩</p>
<p><b>하드웨어 모니터</b></p>	<ul style="list-style-type: none"> <li>• CPU/시스템/칩셋 온도 감지</li> <li>• CPU/시스템/칩셋 팬 속도 감지</li> <li>• CPU/시스템/칩셋 팬 속도 제어</li> </ul>
<p><b>폼 팩터</b></p>	<ul style="list-style-type: none"> <li>• ATX 폼 팩터</li> <li>• 12 in. x 9.6 in. (30.5 cm x 24.4 cm)</li> </ul>

다음 페이지에서 계속

이전 페이지로부터 계속

내장 커넥터

- 24핀 ATX 메인 전원 커넥터 1개
- 8핀 ATX 12V 전원 커넥터 2개
- SATA 6Gb/s 커넥터 4개
- USB 2.0 커넥터 2개 (외 USB 2.0 4포트)
- USB 3.2 Gen 1 커넥터 2개 (외 USB 3.2 Gen 1 4포트)
- USB 3.2 Gen 2 C타입 포트 1개
- 4핀 CPU 팬 커넥터 1개
- 4핀 시스템 팬 커넥터 5개
- 4핀 워터 펌프 커넥터 1개
- 전면 패널 오디오 커넥터 1개
- 시스템 패널 커넥터 2개
- TPM 모듈 커넥터 1개
- CMOS 클리어 접퍼 1개
- 새시 침입 커넥터 1개
- 전원 버튼 1개
- 리셋 버튼 1개
- Game Boost 노브 1개
- 4핀 RGB LED 커넥터 1개
- 3핀 RAINBOW LED 커넥터 2개
- 3핀 CORSAIR 커넥터 1개
- 2핀 LED 전원 입력 1개
- 디버그 코드 LED 1개
- EZ 디버그 LEDs 4개

다음 페이지에서 계속

이전 페이지로부터 계속

<b>후면 패널 커넥터</b>	<ul style="list-style-type: none"><li>• CMOS 클리어 버튼 1개</li><li>• 플래시 백 버튼 1개</li><li>• WiFi/ 블루투스 모듈 1개</li><li>• PS/2 키보드/마우스 콤보 포트 1개</li><li>• USB 2.0 포트 2개</li><li>• USB 3.2 Gen 1 포트 2개</li><li>• LAN(RJ45) 포트 2개</li><li>• USB 3.2 Gen 2/ 1 C타입 1개</li><li>• USB 3.2 Gen 2/ 1 A타입 1개</li><li>• USB 3.2 Gen 2 A타입 포트 2개</li><li>• OFC 오디오 잭 5개</li><li>• 옵티컬 S/PDIF 출력 커넥터 1개</li></ul>
<b>BIOS 기능</b>	<ul style="list-style-type: none"><li>• 256 Mb 플래시 1개</li><li>• UEFI AMI BIOS</li><li>• ACPI 6.1, SM BIOS 2.8</li><li>• 다국어</li></ul>
<b>소프트웨어</b>	<ul style="list-style-type: none"><li>• 드라이버</li><li>• 드래곤 센터</li><li>• 나히믹 오디오</li><li>• CPU-Z MSI 게이밍</li><li>• MSI 앱 플레이어 (BlueStacks)</li><li>• 구글 유틸리티 : 크롬, 툴바, 드라이브</li><li>• 노턴™ 인터넷 시큐리티 솔루션</li></ul>
<b>드래곤 센터 기능</b>	<ul style="list-style-type: none"><li>• 드래곤 최적화</li><li>• OC 성능</li><li>• 하드웨어 모니터</li><li>• True Color</li><li>• LAN 매니저</li><li>• 미스틱 라이트</li><li>• Live 업데이트</li></ul> <div data-bbox="724 1145 855 1273"></div> <p data-bbox="657 1284 921 1342">더 자세한 점은 <a href="http://download.msi.com/manual/mb/DRAGONCENTER2.pdf">http://download.msi.com/manual/mb/DRAGONCENTER2.pdf</a>를 참조하세요.</p>

다음 페이지에서 계속

이전 페이지로부터 계속

특수 기능

- 오디오
  - 오디오 부스트 HD
  - 나히믹 3
  - 보이스 부스트
- 네트워크
  - 게이밍 LAN과 게이밍 LAN 매니저
  - 듀얼 LAN (2.5G+1G)
  - 인텔 WiFi
- 저장 장치
  - 라이트닝 Gen 4 M.2
  - 트리플 M.2
- 쿨링
  - 제로 Frozr 기술
  - Frozr 히트싱크 디자인
  - Propeller Blade 기술
  - M.2 쉴드 Frozr
  - 펌프 팬
  - 게이밍 팬 컨트롤
- LED
  - 미스틱 라이트 인피니티
  - 미스틱 라이트 3
  - 미스틱 라이트 익스텐션 (RGB)
  - 미스틱 라이트 익스텐션 (RAINBOW)
  - 미스틱 라이트 익스텐션 (CORSAIR)
  - 미스틱 라이트 싱크
  - EZ 디버그 LED
- 보호
  - DDR4 스틸 아머
  - PCI-E 스틸 아머
  - 내장된 IO 쉴딩

다음 페이지에서 계속

특수 기능

- 성능
  - 라이트닝 Gen 4 PCI-E 슬롯
  - 멀티 GPU-SLI 기술
  - 멀티 GPU-크로스 파이어 기술
  - DDR4 부스트
  - 코어 부스트
  - 게임 부스트 (8 모드)
  - 게임 부스트
  - OC 엔진 (Clock gen)
  - USB A + C타입
  - AMD 터보 USB 3.2 Gen 2
  - 전면 USB C타입
  - 듀얼 CPU 전원
- 게이머 익스피리언스
  - 드래곤 센터
  - 게이밍 핫키
  - 게이밍 마우스 컨트롤
  - USB 스피드 업
  - 토탈 팬 컨트롤
  - Live 업데이트
  - 앱 플레이어
- BIOS
  - 클릭 BIOS 5
  - 플래쉬 BIOS 버튼

## JCORSAIR1 커넥터 사양

CORSAIR RGB 제품 지원	최대 연결
라이팅 PRO RGB LED 스트립	20* * LED 스트립 수가 8개를 초과할 경우 밝기 20%를 권장합니다.
HD120 RGB 팬	6
SP120 RGB 팬	6
LL120 RGB 팬	6

## 제품 내용물

메인보드 패키지의 내용물을 확인하십시오. 다음 품목들이 패키지에 들어 있어야 합니다.

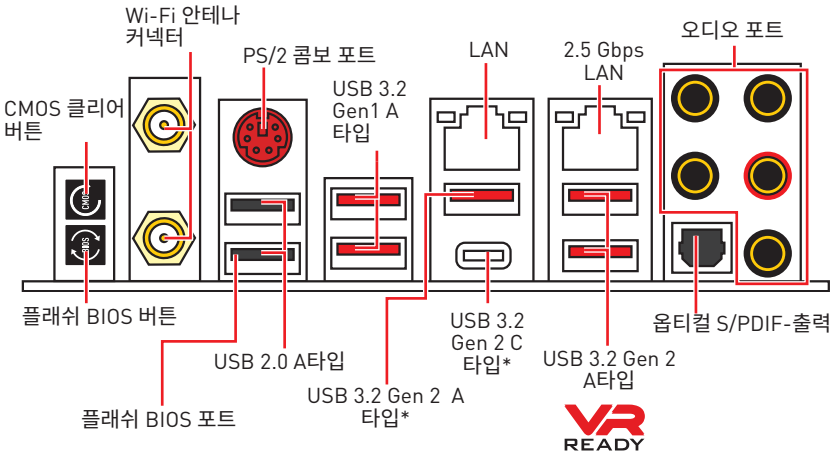
메인보드	MEG X570 ACE	
케이블	SATA 6Gb/s 케이블	4
	1 ~ 2 RGB LED 확장 Y 케이블 80cm	1
	CORSAIR RGB LED 확장 케이블 50cm	1
	RAINBOW RGB LED 확장 케이블 80cm	1
악세서리	안테나 세트	1
	8.5H M.2 나사	3
	케이스 배지	1
	SATA 케이블 레이블	1
	제품 등록 카드	1
애플리케이션 DVD	드라이브 DVD	1
서류	사용 설명서	1
	빠른 설치 설명서	1



### 중요사항

위 항목 중 하나라도 손상되었거나 누락되었다면 대리점에 문의하십시오.

# 후면 I/O 패널



\*USB 3.2 Gen2 (3세대 AMD Ryzen™) 또는 USB 3.2 Gen1 (2세대 AMD Ryzen™ / Radeon™ 베가 그래픽 내장된 Ryzen™ 및 Radeon™ 그래픽 내장된 2세대 AMD Ryzen™ 프로세서)

- **CMOS 클리어 버튼** - 컴퓨터 전원을 끕니다. CMOS 클리어 버튼을 5-10초동안 눌러 BIOS 설정 값을 기본 설정으로 리셋합니다.
- **플래쉬 BIOS 포트/ 버튼** - 44 페이지의 내용을 참조하여 플래쉬 BIOS 버튼으로 BIOS를 업데이트하는 방법에 대해 알아보세요.

## LAN 포트 LED 상태 표시

링크/ 통신 LED		속도 LED												
상태	설명													
꺼짐	LAN이 올바르게 연결되지 않았습니다.	<table border="1"> <thead> <tr> <th>상태</th> <th>Gigabit LAN</th> <th>2.5 Gbps LAN</th> </tr> </thead> <tbody> <tr> <td>꺼짐</td> <td>10 Mbps</td> <td>10 Mbps</td> </tr> <tr> <td>녹색</td> <td>100 Mbps</td> <td>100 Mbps / 1 Gbps</td> </tr> <tr> <td>오렌지색</td> <td>1 Gbps</td> <td>2.5 Gbps</td> </tr> </tbody> </table>	상태	Gigabit LAN	2.5 Gbps LAN	꺼짐	10 Mbps	10 Mbps	녹색	100 Mbps	100 Mbps / 1 Gbps	오렌지색	1 Gbps	2.5 Gbps
상태	Gigabit LAN		2.5 Gbps LAN											
꺼짐	10 Mbps		10 Mbps											
녹색	100 Mbps		100 Mbps / 1 Gbps											
오렌지색	1 Gbps	2.5 Gbps												
노란색	LAN이 올바르게 연결되었습니다.													
깜빡임	컴퓨터가 LAN으로 정상적인 통신중입니다.													

## 오디오 포트 구성 도표

오디오 포트	채널			
	2	4	6	8
중앙/ 서브우퍼 출력			●	●
후면 스피커 출력		●	●	●
라인 입력/ 사이드 스피커 출력				●
라인 출력/ 전면 스피커 출력	●	●	●	●
마이크 입력				

(●: 연결됨, 빈칸: 무)



## Realtek 오디오 콘솔

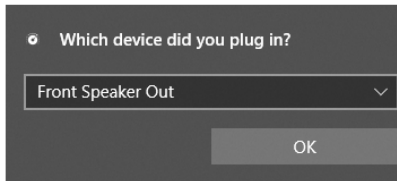
오디오 콘솔을 설치한 후 사운드 설정을 변경하여 더 나은 사운드를 경험할 수 있습니다.



- **장치 선택** - 오디오 출력 소스를 선택하여 관련 옵션을 변경합니다. 체크 표시된 장치가 기본 장치입니다.
- **애플리케이션 강화** - 출력 및 입력 장치의 예상 음향 효과에 대한 가이드를 전부 제공합니다.
- **메인 볼륨** - 바를 조정하여 볼륨을 조정하거나 전면 또는 후면 패널에 연결된 스피커의 오른쪽/왼쪽 사이드의 균형을 잡습니다.
- **잭 상태** - 모든 렌더링 및 캡처 장치가 현재 컴퓨터에 연결되었는지 보여줍니다.
- **커넥터 설정** - 커넥터 연결에 대한 설정을 구성합니다.

### 자동 팝업 대화창

장치를 오디오 잭에 연결하면 아래와 같은 대화창이 나타나며 현재 어떤 기기가 연결되었는지를 선택해야 합니다.

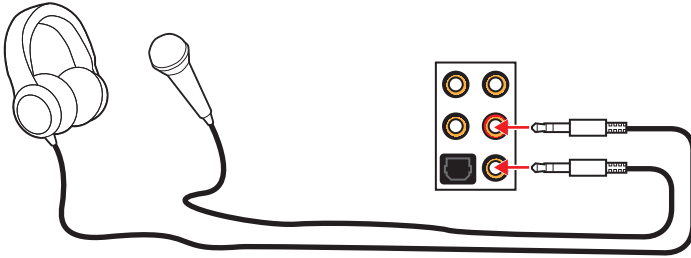


다음 페이지에서 각 잭에 해당하는 기본 설정을 알아볼 수 있습니다.

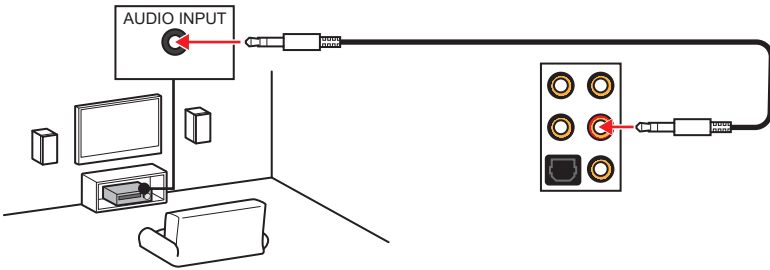
### **중요사항**

이 그림은 참조용일 뿐이며 구매한 제품에 따라 다를 수 있습니다.

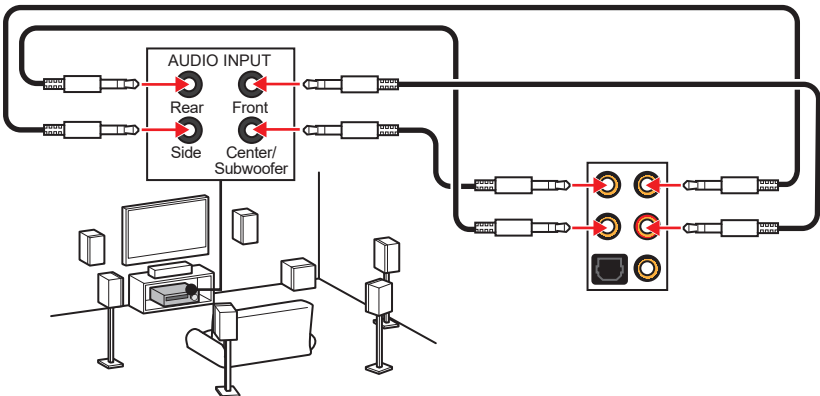
### 헤드폰 및 마이크용 오디오 잭 도표



### 스테레오 스피커용 오디오 잭 도표

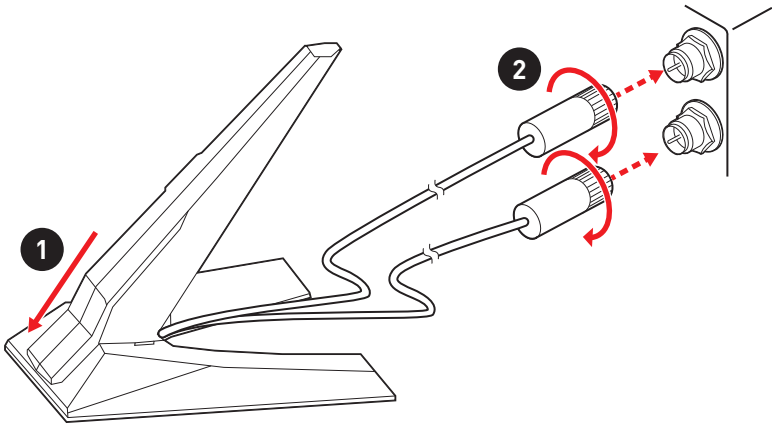


### 7.1-채널 스피커용 오디오 잭 도표

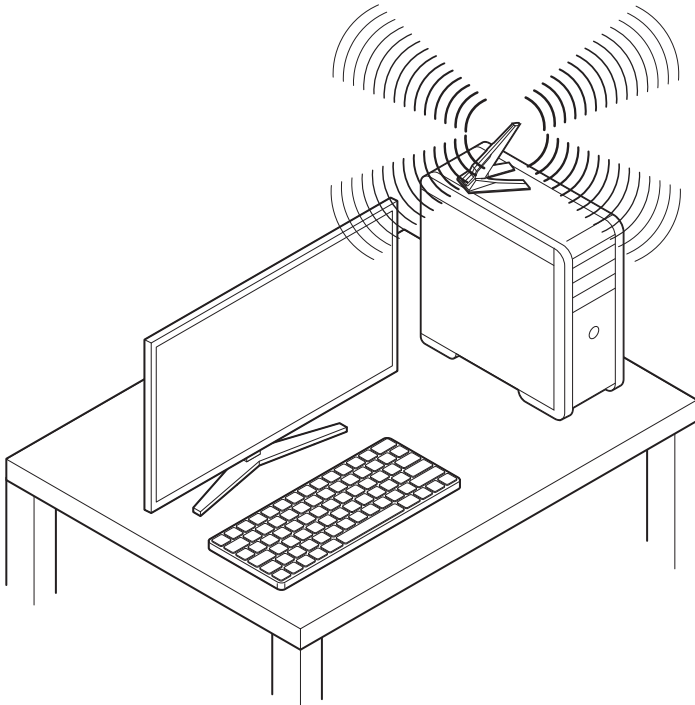


## 안테나 설치하기

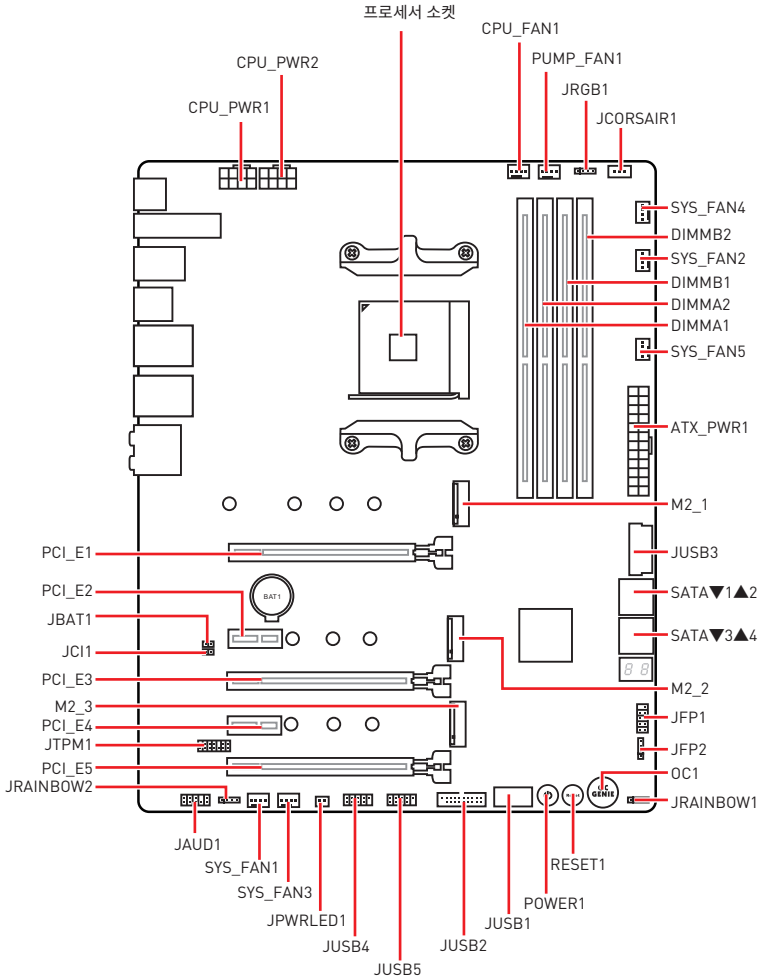
1. 안테나를 받침대에 연결합니다.
2. 아래 그림처럼 두개의 안테나 케이블을 WiFi 안테나 커넥터에 단단히 나사로 고정합니다.



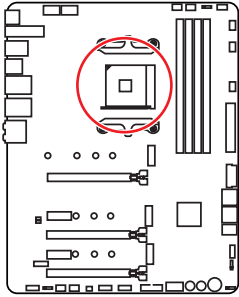
3. 안테나를 가능한 높은 곳에 올려 둡니다.



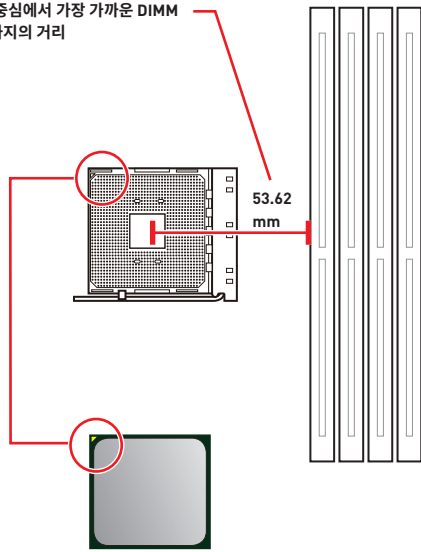
# 구성품 개요



## 프로세서 소켓



CPU 중심에서 가장 가까운 DIMM 슬롯까지의 거리



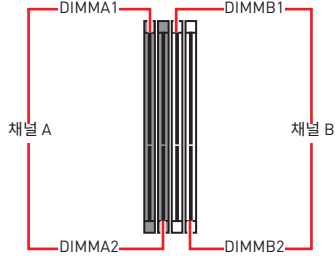
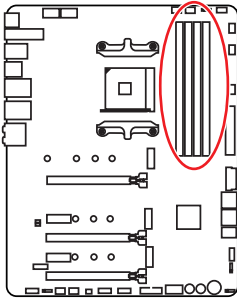
### AM4 프로세서 소개

메인보드에 프로세서를 정확하게 배치하기 위하여 AM4 프로세서 표면에 하나의 노란색 삼각형이 있습니다. 노란색 삼각형은 1번 핀을 나타냅니다.

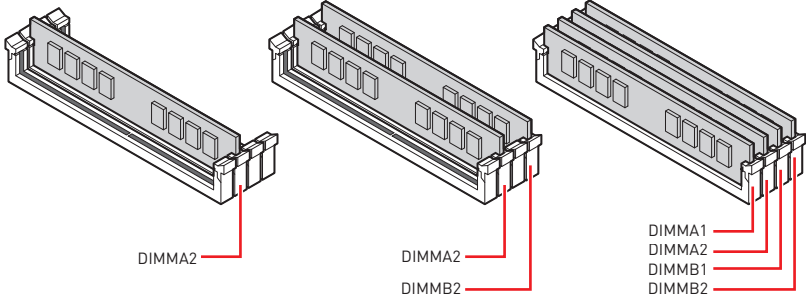
### ⚠️ 중요사항

- CPU를 설치하거나 제거하기 전에 전원 코드를 콘센트에서 뽑아주십시오.
- 프로세서를 설치한 후, CPU 보호 캡을 보관하십시오. 반품시 메인보드와 CPU 소켓 보호 캡이 함께 제공되어야만 MSI에서 반품(RMA) 요청 처리를 진행할 수 있습니다.
- CPU 설치 시, CPU 방열판을 반드시 설치하십시오. CPU 방열판은 과열을 방지하고 시스템 성능을 유지하는 데 꼭 필요합니다.
- 시스템을 부팅하기 전에 CPU 방열판이 단단히 설치되었는지 확인합니다.
- 과열은 CPU와 시스템을 심각하게 손상시킬 수 있습니다. CPU가 과열되지 않도록 쿨러팬이 제대로 작동하고 있는지 항상 확인하십시오. 열이 잘 발산되도록 CPU와 방열판 사이에 서멀 페이스트(또는 서멀 테이프)를 고르게 발라주십시오.
- CPU와 방열판/쿨러를 별도로 구입하였을 경우, 설치에 대한 자세한 내용은 방열판/쿨러 패키지에 있는 설명서를 참조하십시오.
- 이 메인보드는 오버클로킹을 지원하도록 설계되었습니다. 오버클로킹을 시도하기 전에 기타 모든 시스템 부품이 오버클로킹을 견딜 수 있는지 확인하십시오. 제품 사양을 벗어나는 작동을 시도하지 마십시오. MSI®는 제품 사양을 벗어나는 부적절한 작동으로 인한 손상 또는 위험을 보증하지 않습니다.

## DIMM 슬롯



### 메모리 모듈 설치 (추천)



### ! 중요사항

- 항상 **DIMMA2** 슬롯에 메모리 모듈을 먼저 삽입하세요.
- 칩셋 지원 사용법에 의해 사용 가능한 메모리의 용량은 설치된 용량보다 작습니다.
- CPU 사양의 기초하에 CPU 보호를 위해 메모리 DIMM 전압은 1.35V 이하로 제한합니다.
- 메모리 주파수는 Serial Presence Detect (SPD)에 의해 작동하기 때문에 오버클로킹시 일부 메모리는 표시된 값보다 낮은 주파수에서 작동합니다. 표시된 값(포함)보다 높은 주파수에서 메모리를 작동하려면 BIOS로 이동하여 **DRAM Frequency!** 항목에서 메모리 주파수를 설정하세요.
- 풀 DIMM 설치 또는 오버클로킹을 위해 보다 효율적으로 메모리 냉각 시스템을 사용할 것을 권장합니다.
- 오버클로킹시의 안정성과 설치된 메모리 모듈의 호환성은 설치된 CPU 및 장치에 따라 달라집니다.
- 메모리 모듈은 AM4 CPU/메모리 컨트롤러 사양 제한으로 인해 기본 설정 상태에서 표시된 값보다 낮은 주파수에서 작동할 수 있습니다. 호환 가능한 메모리에 대한 자세한 내용은 [www.msi.com](http://www.msi.com)을 방문하여 알아보세요.

## PCI\_E1~5: PCIe 확장 슬롯

슬롯	3세대 AMD Ryzen™	2세대 AMD Ryzen™	Radeon™ 베가 그래픽이 내장된 Ryzen™ 및 Radeon™ 그래픽이 내장된 2세대 AMD Ryzen™
PCI_E1	PCIe 4.0 x16	PCIe 3.0 x16	PCIe 3.0 x8
PCI_E2	PCIe 4.0 x1	PCIe 3.0 x1	PCIe 3.0 x1
PCI_E3	PCIe 4.0 x8	PCIe 3.0 x8	이용불가
PCI_E4	PCIe 4.0 x1	PCIe 3.0 x1	PCIe 3.0 x1
PCI_E5	PCIe 4.0 x4	PCIe 3.0 x4	PCIe 3.0 x4

### 중요사항

- 크고 무거운 그래픽 카드를 설치할 경우, 그래픽 카드를 안전하게 지지하여 슬롯의 변형을 방지하기 위해 **MSI Gaming Series Graphics Card Bolster**와 같은 도구를 사용하시기 바랍니다.
- 하나의 PCIe x16 확장 카드를 설치하여 최적의 효과를 원하신다면 **PCI\_E2** 슬롯을 사용할 것을 추천합니다.
- 확장 카드를 추가하거나 제거할 때 먼저 전원을 끄거나 전원 코드를 콘센트에서 뽑으세요. 확장 카드에 대해 필요한 하드웨어나 소프트웨어 변경에 대하여 알려면 확장카드 설명서를 읽으세요.
- PCIe x1 슬롯은 동시에 사용할 수 없습니다. PCIe 카드가 PCI\_E4 슬롯에 설치된 경우 PCI\_E2를 사용할 수 없습니다.

### PCIe 대역폭 도표

PCIe 장치를 설치하려면 아래 표를 참조하십시오.

#### 3세대 AMD Ryzen™ 프로세서용

슬롯	Single		2-Way		3-Way*	
PCI_E1 (CPU)	@4.0 x16		@4.0 x8		@4.0 x8	
PCI_E2 (PCH)	4.0 x1	—	4.0 x1	—	4.0 x1	—
PCI_E3 (CPU)	—		@4.0 x8		@4.0 x8	
PCI_E4 (PCH)	—	4.0 x1	—	4.0 x1	—	4.0 x1
PCI_E5 (PCH)	4.0 x4		4.0 x4		@4.0 x4	

(—: 이용 불가, @: 그래픽 카드, \*: 크로스 파이어용)

## 2세대 AMD Ryzen™ 프로세서용

슬롯	Single		2-Way		3-Way*	
PCI_E1 (CPU)	Ⓜ3.0 x16		Ⓜ3.0 x8		Ⓜ3.0 x8	
PCI_E2 (PCH)	3.0 x1	—	3.0 x1	—	3.0 x1	—
PCI_E3 (CPU)	—		Ⓜ3.0 x8		Ⓜ3.0 x8	
PCI_E4 (PCH)	—	3.0 x1	—	3.0 x1	—	3.0 x1
PCI_E5 (PCH)	3.0 x4		3.0 x4		Ⓜ3.0 x4	

(—: 이용 불가, Ⓜ: 그래픽 카드, \*: 크로스 피어용)

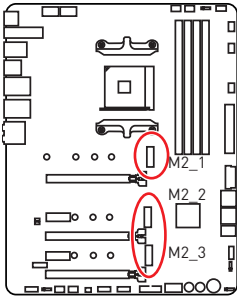
## Radeon™ 베가 그래픽이 내장된 Ryzen™ 및 Radeon™ 그래픽이 내장된 2세대 AMD Ryzen™ 프로세서용

슬롯	Single		2-Way*	
PCI_E1 (CPU)	Ⓜ3.0 x8		Ⓜ3.0 x8	
PCI_E2 (PCH)	3.0 x1	—	3.0 x1	—
PCI_E3 (CPU)	—		—	
PCI_E4 (PCH)	—	3.0 x1	—	3.0 x1
PCI_E5 (PCH)	3.0 x4		Ⓜ3.0 x4	

(—: 이용 불가, Ⓜ: 그래픽 카드, \*: 크로스 피어용)



## M2\_1~3: M.2 슬롯 (Key M)

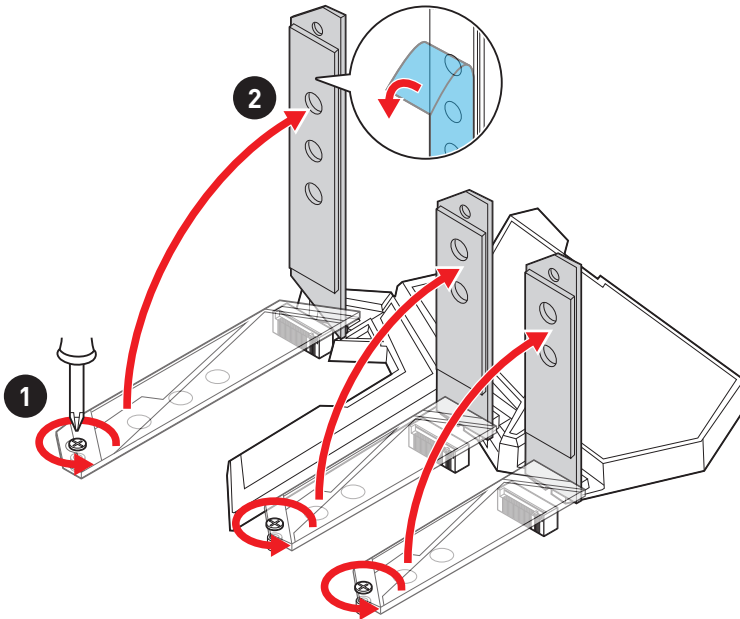


다음의 표는 프로세서의 M.2 슬롯과 PCIe 대역폭 사이의 관계를 설명합니다.

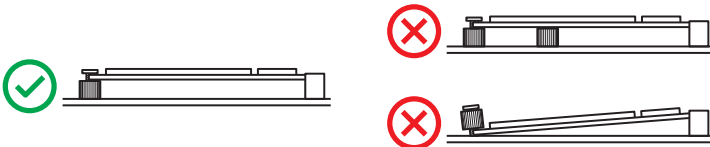
슬롯	3세대 AMD Ryzen™	2세대 AMD Ryzen™	Radeon™ 베가 그래픽이 내장된 Ryzen™ 및 Radeon™ 그래픽이 내장된 2세대 AMD Ryzen™
M2_1	PCIe 4.0 x4	PCIe 3.0 x4	PCIe 3.0 x4
M2_2	PCIe 4.0 x4	PCIe 3.0 x4	PCIe 3.0 x4
M2_3	PCIe 4.0 x4	PCIe 3.0 x4	PCIe 3.0 x4

### M.2 모듈 장치 설치하기

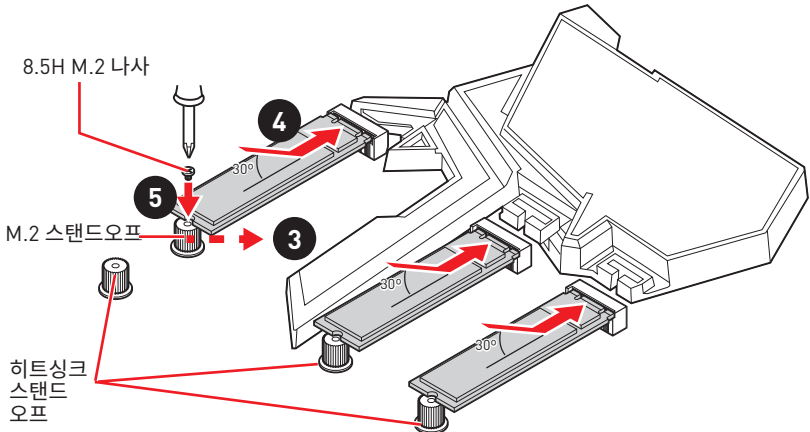
1. M.2 쉴드 FROZR 히트싱크에서 나사를 풀어줍니다.
2. M.2 쉴드 FROZR 히트싱크를 들어올리고 열 패드에서 보호 필름을 제거해야 합니다.



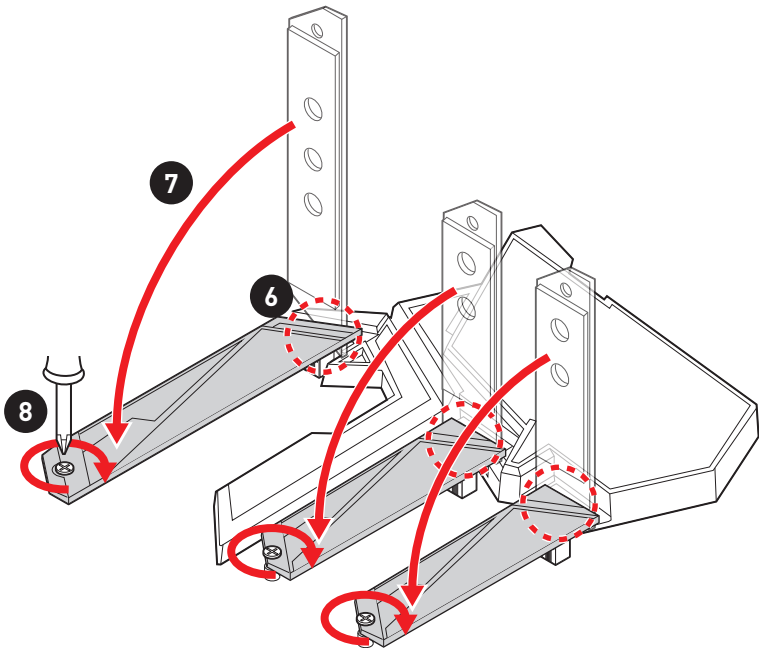
3. M.2 스탠드 오프를 M.2 SSD에 적절한 위치로 이동하고 고정합니다. M.2 스탠드 오프가 손상되는 일이 없도록 M.2 SSD 아래에 M.2 스탠드 오프가 없는지 확인합니다.



4. M.2 SSD를 30도 각도로 M.2 슬롯에 삽입합니다.
5. M.2 SSD가 M.2 쉴드 FROZR 히트싱크보다 짧은 경우 M.2 SSD가 M.2 쉴드 FROZR 히트싱크보다 짧은 경우 8.5H M.2 나사로 M.2 SSD를 제자리에 고정합니다. M.2 SSD의 길이가 M.2 쉴드 FROZR 히트싱크와 같으면 이 단계를 건너뛴니다.

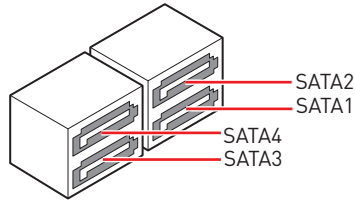
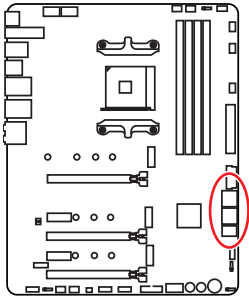


6. M.2 쉴드 FROZR 히트싱크 샤프트를 홈에 삽입한다.
7. M.2 쉴드 FROZR 히트싱크를 아래로 누릅니다.
8. M.2 쉴드 FROZR 히트싱크를 스탠드오프에 고정합니다.



## SATA1~4: SATA 6Gb/s 커넥터

이 커넥터는 SATA 6Gb/s 인터페이스 포트입니다. 각 커넥터에 하나의 SATA 장치를 연결할 수 있습니다.

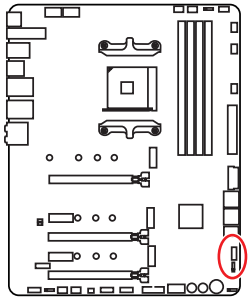


### ! 중요사항

- SATA 케이블을 90도로 꺾지 마세요. 그럴 경우, 전송 중 데이터가 손상될 수 있습니다.
- SATA 케이블의 양쪽 모두에 동일한 플러그가 있지만 공간 절약 위해 플랫 커넥터를 메인보드에 연결할 것을 권장합니다.

## JFP1, JFP2: 전면 패널 커넥터

이 커넥터를 사용하여 전면 패널에 있는 스위치 및 LED를 연결할 수 있습니다.

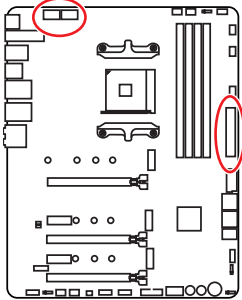


JFP1			
1	HDD LED +	2	Power LED +
3	HDD LED -	4	Power LED -
5	Reset Switch	6	Power Switch
7	Reset Switch	8	Power Switch
9	Reserved	10	No Pin

JFP2			
1	Speaker -	2	Buzzer +
3	Buzzer -	4	Speaker +

## CPU\_PWR1~2, ATX\_PWR1: 전원 커넥터

이 커넥터를 사용하여 ATX 전원 공급 장치를 연결할 수 있습니다.



1	Ground	5	+12V
2	Ground	6	+12V
3	Ground	7	+12V
4	Ground	8	+12V

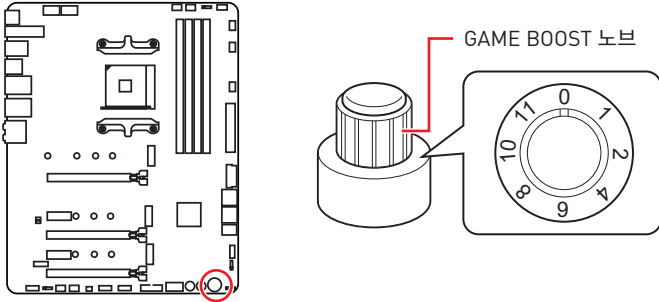
1	+3.3V	13	+3.3V
2	+3.3V	14	-12V
3	Ground	15	Ground
4	+5V	16	PS-ON#
5	Ground	17	Ground
6	+5V	18	Ground
7	Ground	19	Ground
8	PWR OK	20	Res
9	5VSB	21	+5V
10	+12V	22	+5V
11	+12V	23	+5V
12	+3.3V	24	Ground

### 중요사항

모든 전원 케이블이 ATX 전원 공급 장치에 올바르게 연결되어 메인보드가 안정적으로 작동하는지 확인하십시오.

## OC1: GAME BOOST 노브

이 노브를 사용하여 AMD RYZEN 시리즈 프로세서의 오버클로킹 단계를 수동으로 선택할 수 있습니다. {0 (기본)부터 11 (익스트림)} 시스템 전원을 켜 후 CPU의 전압과 주파수가 자동으로 조정됩니다. 이 기능은 설치된 프로세서가 지원하는 경우에만 사용할 수 있습니다.



### GAME BOOST 노브 사용

다음의 방법에 따라 GAME BOOST 노브를 설정하세요.

1. BIOS 설정에서 GAME BOOST 노브를 하드웨어 모드로 설정합니다.
2. 시스템 전원을 끕니다.
3. GAME BOOST 노브를 돌려 원하는 오버클로킹 단계를 선택합니다.

스테이지	CPU 주파수 (GHz)					
	Ryzen 7		Ryzen 5			Ryzen 3
	2700X	2700	2600X	2600	2400G	2200G
0	3.7	3.2	3.6	3.4	3.6	3.2
1	4.1	3.6	4	3.8	3.8	3.6
2	4.15	3.65	4.05	3.85	3.85	3.65
4	4.2	3.7	4.1	3.9	3.9	3.7
6	4.25	3.75	4.15	3.95	3.95	3.75
8	4.3	3.8	4.2	4	4	3.8
10	4.35	3.85	4.25	4.05	4.05	3.85
11	4.4	3.9	4.3	4.1	4.1	3.9

4. 시스템 전원을 켜면 GAME BOOST가 선택한 오버클로킹 단계에 따라 프로세서를 자동으로 오버클럭합니다.

GAME BOOST를 비활성화하는 방법:

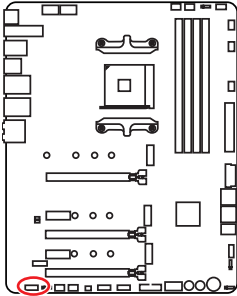
1. BIOS 설정에서 GAME BOOST 노브를 HW 모드로 설정합니다.
2. 시스템 전원을 끕니다.
3. GAME BOOST 노브를 0으로 돌린 후 시스템 전원을 켜면 시스템 설정이 기본 값으로 복원됩니다.

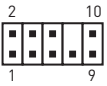
## 중요사항

- **BIOS 설정** 혹은 **MSI 드래곤 센터** 소프트웨어에서 **GAME BOOST** 기능을 제어할 수 있습니다.
- 시스템 성능을 최적화하고 시스템 안정성을 향상시키기 위해 **GAME BOOST** 기능이 활성화되어 있을 경우, **BIOS > OC** 설정은 변경하지 말 것을 권장합니다.
- 오버클로킹의 성공여부는 컴퓨터의 부품에 따라 다릅니다.
- 당사는 **GAME BOOST** 오버클로킹 범위 또는 오버클로킹에 의해 생기게 되는 손상/ 위험은 보증하지 않습니다.
- **GAME BOOST** 기능을 사용할 때 보다 좋은 호환성을 위해 **MSI** 부품을 사용할 것을 권장합니다.

## JAUD1: 전면 패널 오디오 커넥터

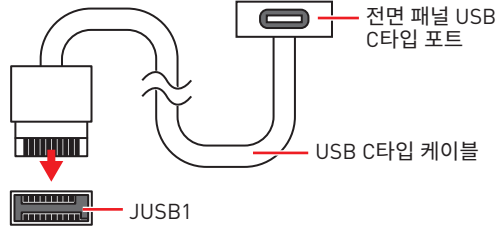
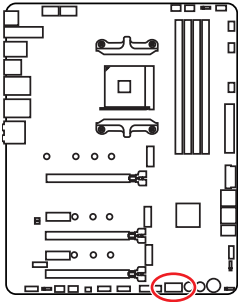
이 커넥터를 사용하여 전면 패널에 있는 오디오 잭을 연결할 수 있습니다.



			
1	MIC L	2	Ground
3	MIC R	4	NC
5	Head Phone R	6	MIC Detection
7	SENSE_SEND	8	No Pin
9	Head Phone L	10	Head Phone Detection

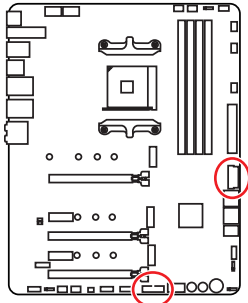
## JUSB1: USB 3.2 Gen 2 C타입 커넥터

이 커넥터를 사용하여 전면 패널의 USB 3.2 Gen 2 C타입 커넥터를 연결할 수 있습니다. 이 커넥터는 풀 프루프(foolproof)로 작동하도록 디자인되었으며 케이블 연결시 정확한 방향으로 연결하시기 바랍니다.



## JUSB2~3: USB 3.2 Gen1 커넥터

이 커넥터를 사용하여 전면 패널의 USB 3.2 Gen1 포트를 연결할 수 있습니다.



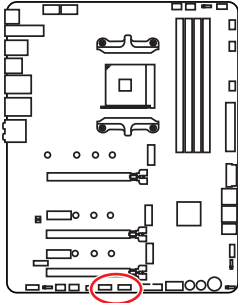
1	Power	11	USB2.0+
2	USB3_RX_DN	12	USB2.0-
3	USB3_RX_DP	13	Ground
4	Ground	14	USB3_TX_C_DP
5	USB3_TX_C_DN	15	USB3_TX_C_DN
6	USB3_TX_C_DP	16	Ground
7	Ground	17	USB3_RX_DP
8	USB2.0-	18	USB3_RX_DN
9	USB2.0+	19	Power
10	NC	20	No Pin

### 중요사항

전원 및 그라운드 핀을 정확히 연결하여야 손상을 방지할 수 있습니다.

## JUSB4~5: USB 2.0 커넥터

이 커넥터를 사용하여 전면 패널의 USB 2.0 포트를 연결할 수 있습니다.



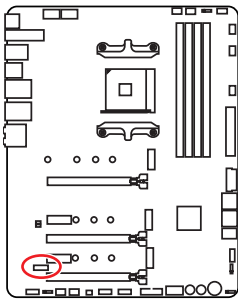
1	VCC	2	VCC
3	USB0-	4	USB1-
5	USB0+	6	USB1+
7	Ground	8	Ground
9	No Pin	10	NC

### 중요사항

- VCC 및 그라운드 핀을 정확히 연결하여야 손상을 방지할 수 있습니다.
- USB 포트를 통하여 iPad, iPhone 및 iPod를 충전하려면 MSI® 드래곤 센터 유틸리티를 설치하시기 바랍니다.

## JTPM1: TPM 모듈 커넥터

이 커넥터는 TPM (Trusted Platform Module) 모듈에 연결됩니다. 자세한 내용과 사용방법은 TPM 보안 플랫폼 설명서를 참조하세요.



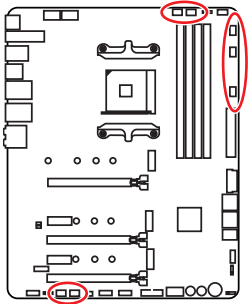
1	LPC Clock	2	3V Standby power
3	LPC Reset	4	3.3V Power
5	LPC address & data pin0	6	Serial IRQ
7	LPC address & data pin1	8	5V Power
9	LPC address & data pin2	10	No Pin
11	LPC address & data pin3	12	Ground
13	LPC Frame	14	Ground



## CPU\_FAN1, PUMP\_FAN1, SYS\_FAN1~5: 팬 커넥터

팬 커넥터는 PWM (Pulse Width Modulation) 모드와 DC 모드로 분류될 수 있습니다. PWM 모드 팬 커넥터는 12V의 일정한 출력을 제공하고 속도 제어 신호에 따라 팬의 회전 속도를 조정합니다. DC 모드 팬 커넥터는 전압의 변화에 따라 팬의 회전 속도를 제어합니다. 다음 설명에 따라 팬 커넥터를 PWM 또는 DC 모드로 조정할 수 있습니다.

### PWM 모드 팬 커넥터 기본 설정



CPU\_FAN1 / PUMP\_FAN1

### DC 모드 팬 커넥터 기본 설정



SYS\_FAN1 & 3

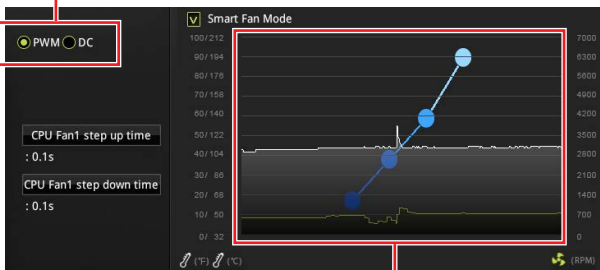


SYS\_FAN2, 4 & 5

### 팬 모드 전환 및 속도 조정

PWM 모드와 DC 모드 사이에서 전환할 수 있으며 **BIOS > HARDWARE MONITOR(하드웨어 모니터)**로 이동하여 팬 속도를 조정할 수 있습니다.

### PWM 모드 및 DC 모드 선택



CPU 온도에 따라 팬 속도를 단계별 설정 가능합니다.

### ⚠️ 중요사항

PWM/ DC 모드로 전환한 후, 팬이 제대로 작동하는지 확인하시기 바랍니다.

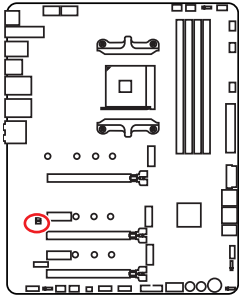
### 팬 커넥터 핀 정의

PWM 모드 핀 정의			
1	Ground	2	+12V
3	Sense	4	Speed Control Signal

DC 모드 핀 정의			
1	Ground	2	Voltage Control
3	Sense	4	NC

## JC11:새시 침입 커넥터

이 커넥터를 사용하여 새시 침입 스위치 케이블을 연결할 수 있습니다.



표준 상태  
(기본 설정)



새시 침입 이벤트  
트리거

### 새시 침입 탐지기 사용하기

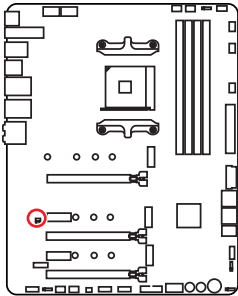
1. JC11 새시의 새시 침입 스위치/ 센서에 연결합니다.
2. 새시 커버를 닫습니다.
3. **BIOS > SETTINGS > Security > Chassis Intrusion Configuration(새시 침입 구성)**으로 이동합니다.
4. **Chassis Intrusion (새시 침입)** 항목을 **Enabled(사용)**으로 설정합니다.
5. **F10**키를 눌러 변경 값을 저장하고 종료합니다. **Enter**키를 누른 후 **Yes**를 선택합니다.
6. 새시 커버가 다시 열리면 컴퓨터를 켤 때 알람 메시지가 화면에 나타납니다.

### 새시 침입 알람 재설정하기

1. **BIOS > SETTINGS > Security > Chassis Intrusion Configuration(새시 침입 구성)**으로 이동합니다.
2. **Chassis Intrusion (새시 침입 구성)**을 **Reset(리셋)**으로 설정합니다.
3. **F10**키를 눌러 변경 값을 저장하고 종료합니다. **Enter**키를 누른 후 **Yes**를 선택합니다.

## JBAT1: CMOS (Reset BIOS) 클리어 점퍼

보드에 시스템 구성 데이터를 유지하기 위해 외부 배터리로부터 전원을 공급 받는 CMOS 메모리가 있습니다. 시스템 구성을 지우려면 점퍼를 아래와 같이 설정하여 CMOS 메모리를 지우세요.



데이터 유지  
(기본 설정)



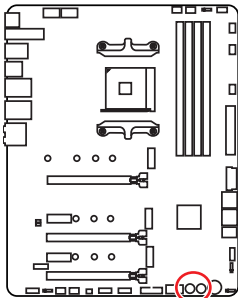
CMOS클리어/  
BIOS 리셋

### 기본 값으로 BIOS 리셋하기

1. 컴퓨터의 전원을 끈 후 전원 콘센트에서 플러그를 뽑습니다
2. 점퍼 캡을 사용하여 **JBAT1**을 5-10초간 단락합니다.
3. **JBAT1**에서 점퍼 캡을 제거합니다.
4. 플러그를 전원 콘센트에 연결한 후 컴퓨터의 전원을 켭니다

## POWER1, RESET1: 전원 버튼, 리셋 버튼

전원/리셋 버튼을 사용하여 컴퓨터를 켜거나 리셋 할 수 있습니다.



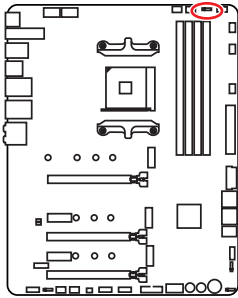
전원 버튼



리셋 버튼

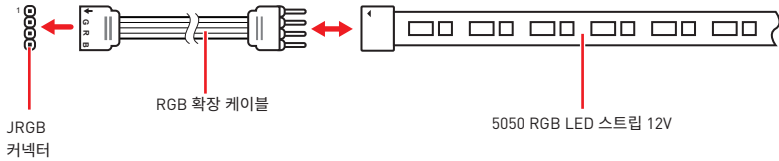
## JRGB1: RGB LED 커넥터

JRGB 커넥터를 사용하여 5050 RGB LED 스트립 12V를 연결할 수 있습니다.

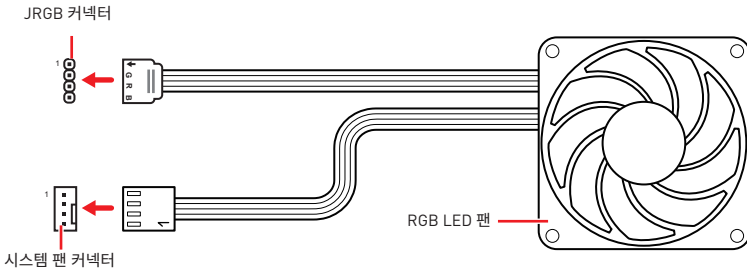


1			
1	+12V	2	G
3	R	4	B

### RGB LED 스트립 연결



### RGB LED 팬 연결

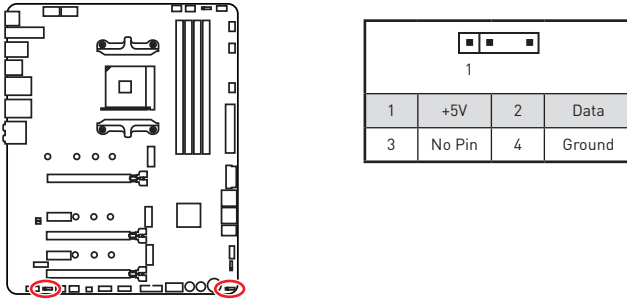


### ⚠️ 중요사항

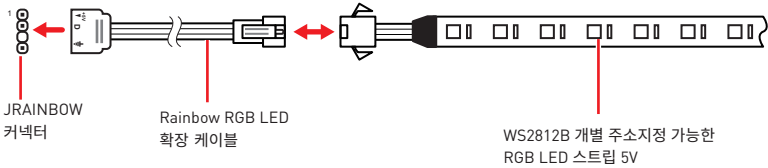
- JRGB 커넥터는 최대 3A (12V) 정격 전력에서 최대 2미터 연속 5050 RGB LED 스트립 (12V/G/R/B)을 지원합니다.
- RGB LED 스트립을 설치 또는 제거하기 전에 항상 전원 공급 장치의 전원을 끄고 전원 코드를 콘센트에서 뽑아주세요.
- MSI 소프트웨어를 사용하여 확장된 LED 스트립을 조정하세요.

## JRAINBOW1~2: 주소 지정 가능한 RGB LED 커넥터

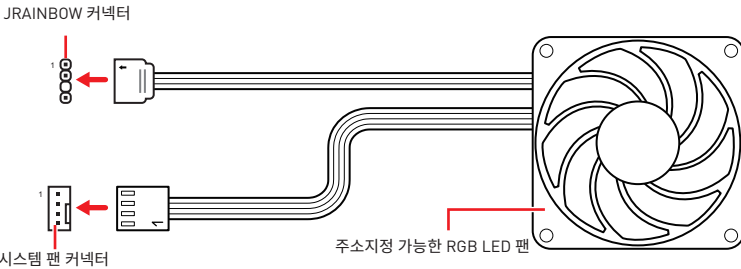
JRAINBOW 커넥터를 사용하여 개별 주소 지정 가능한 WS2812B RGB LED 스트립 5V를 연결할 수 있습니다.



### 주소 지정 가능한 RGB LED 스트립 연결



### 주소 지정 가능한 RGB LED 팬 연결



### 주의

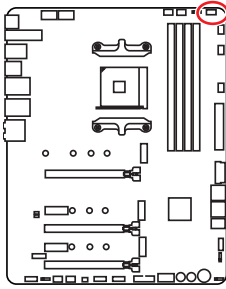
다른 유형의 LED 스트립을 연결하지 마십시오. JRGB 커넥터와 JRAINBOW 커넥터는 다른 전압을 제공하며, 5V LED 스트립을 JRGB 커넥터에 연결하면 LED 스트립이 손상됩니다.

### 중요사항

- JRAINBOW 커넥터는 최대 3A(5V) 정격전력에서 최대 75 LED WS2812B 개별 지정가능한 RGB LED 스트립(5V/Data/Ground)을 지원합니다. 밝기 20%의 경우에 커넥터는 최대 200 개의 LED를 지원합니다.
- RGB LED 스트립을 설치 또는 제거하기 전에 항상 전원 공급 장치의 전원을 끄고 전원 코드를 콘센트에서 뽑아주세요.
- MSI 소프트웨어를 사용하여 확장된 LED 스트립을 조정하세요.

## JCORSAIR1: CORSAIR 커넥터

JCORSAIR1 커넥터는 5V의 CORSAIR 개별 주소 지정가능한 라이팅 PRO RGB LED 스트립 외에도 CORSAIR RGB 팬을 CORSAIR 팬 허브와 연결할 수 있습니다. 모든 항목이 제대로 연결되면 CORSAIR RGB LED 스트립과 팬을 MSI 소프트웨어와 함께 조정할 수 있습니다.

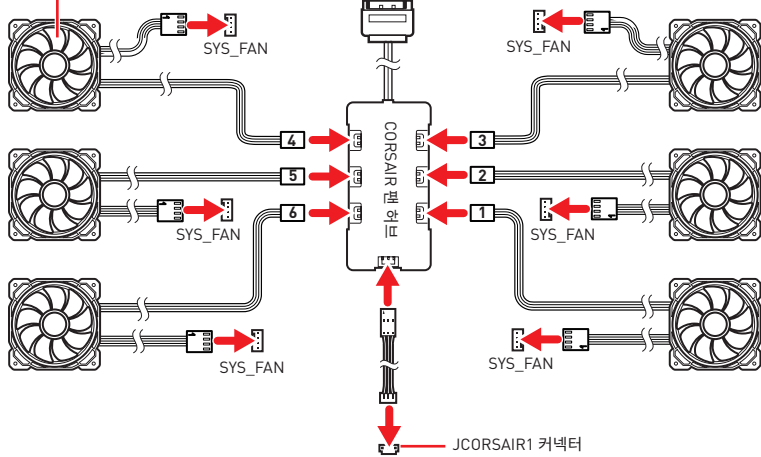


1			
JCORSAIR1			
1	+5V	2	Data
3	Ground		

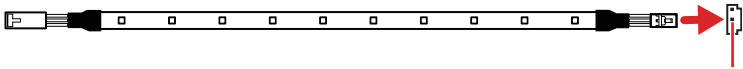
### CORSAIR RGB 팬 커넥터



CORSAIR RGB LED 팬



### CORSAIR 라이팅 노드 PRO 연결



JCORSAIR1 커넥터

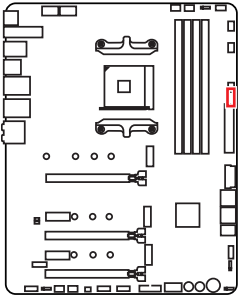
### ! 중요사항

- 팬들은 반드시 1에서 시작해서 순서대로 연결되어야 합니다. 1 > 2 > 3 > 4 > 5 > 6. 순서대로 연결되지 않은 팬은 통신을 차단할 것이고 RGB LED 조명 기능도 작동하지 않을 것입니다.
- 지원되는 RGB LED 팬과 RGB LED 라이팅 PRO 스트립의 수는 모델마다 다를 수 있습니다. 마더보드 사양을 참조하세요.
- CORSAIR RGB LED 팬과 CORSAIR 라이팅 노드 PRO 기능은 동시에 사용해서는 안됩니다.

# 온보드 LEDs

## EZ 디버그 LED

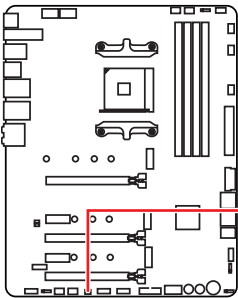
이 LED는 메인보드의 디버그 상태를 나타냅니다.



- CPU - CPU가 감지되지 않거나 고장났음을 나타냅니다.
- DRAM - DRAM이 감지되지 않거나 고장났음을 나타냅니다.
- VGA - GPU가 감지되지 않거나 고장났음을 나타냅니다.
- BOOT - 부팅 장치가 감지되지 않거나 고장났음을 나타냅니다.

## JPWRLED1: LED 전원 입력

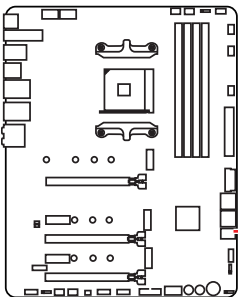
이러한 부품은 소매업체에서 온보드 LED 조명 효과를 시연하기 위해 사용됩니다.



JPWRLED1 - LED 전원 입력

## 디버그 코드 LED

디버그 코드 LED는 POST (부팅시 자가점검)하는 동안과 POST 후의 진행 코드 및 오류 코드를 나타냅니다. 자세한 내용은 Debug Code LED(디버그 코드 LED) 표를 참조하세요.



디버그 코드 LED

## 16진수 도표

16진수	0	1	2	3	4	5	6	7	8	9	A	B	C	D	E	F
디버그 코드 LED 디스플레이	0	1	2	3	4	5	6	7	8	9	A	B	C	D	E	F

## 부팅 페이지즈

**보안 (SEC)** - 초기 낮은 레벨의 초기화

**Pre-EFI Initialization (PEI)** - 메모리 초기화

**Driver Execution Environment (DXE)** - 주요 하드웨어 초기화

**Boot Device Selection (BDS)** - 시스템 설정, pre-OS 사용자 인터페이스 & 부팅 장치 선택 (CD/DVD, HDD, USB, Network, Shell, ...)

## 디버그 코드 LED 표

### SEC 진행 코드

01	전원 켜짐, 리셋 타입 감지 (소프트/하드)ard
02	마이크로 로딩 전 AP 초기화
03	마이크로 로딩 전 시스템 에이전트 초기화
04	마이크로 로딩 전 PCH 초기화
06	마이크로 로딩
07	마이크로 로딩 후 AP 초기화
08	마이크로 로딩 후 시스템 에이전트 초기화
09	마이크로 로딩 후 PCH 초기화
0B	캐시 초기화

### SEC 오류 코드

0C - 0D	AMI SEC 오류 코드를 위한 예비용 코드
0E	마이크로를 찾을 수 없음
0F	마이크로가 로드 되지 않음

### PEI 진행 코드

10	PEI 코어 작동
11	Pre-memory CPU 초기화 작동
12 - 14	Pre-memory CPU 초기화 (CPU 모듈 특정)
15	Pre-memory 시스템 에이전트 초기화 작동
16 - 18	Pre-Memory 시스템 에이전트 초기화 (시스템 에이전트 모듈 특정)
19	Pre-memory PCH 초기화 작동
1A - 1C	Pre-memory PCH 초기화 (PCH 모듈 특정)
2B	메모리 초기화, Serial Presence Detect (SPD) 데이터 읽기



2C	메모리 초기화. 메모리 존재 여부 검출
2D	메모리 초기화. 메모리 타이밍 정보 프로그래밍
2E	메모리 초기화. 메모리 구성
2F	메모리 초기화 (기타)
31	메모리 설치됨
32	CPU post-memory 초기화 작동
33	CPU post-memory 초기화. 캐시 초기화
34	CPU post-memory 초기화. Application Processor(s) [AP] 초기화
35	CPU post-memory 초기화. Boot Strap Processor (BSP) 선택
36	CPU post-memory 초기화. System Management Mode (SMM) 초기화
37	Post-Memory System Agent 초기화 작동
38 - 3A	Post-Memory 시스템 에이전트 초기화 (시스템 에이전트 모듈 특정)
3B	Post-Memory PCH 초기화 작동
3C - 3E	Post-Memory PCH 초기화 (PCH 모듈 특정)
4F	DXE IPL 작동

## PEI 오류 코드

4B	메모리가 설치되지 않음 (Summit CPU용)
E0	메모리가 설치되지 않음 (Bristol CPU용)

## DXE 진행 코드

60	DXE 코어 작동
61	NVRAM 초기화
62	PCH Runtime 서비스 설치
63	CPU DXE 초기화 작동
64 - 67	CPU DXE 초기화 (CPU 모듈 특정)
68	PCI 호스트 브리지 초기화
69	시스템 에이전트 DXE 초기화 작동
6A	시스템 에이전트 DXE SMM 초기화 작동
6B - 6F	시스템 에이전트 DXE 초기화 (시스템 에이전트 모듈 특정)
70	PCH DXE 초기화 작동
71	PCH DXE SMM 초기화 작동
72	PCH 장치 초기화
73 - 77	PCH DXE 초기화 (PCH 모듈 특정)
78	ACPI 모듈 초기화
79	CSM 초기화
7A - 7F	AMI DXE 코드를 위한 예비용 코드
90	Boot Device Selection (BDS) 페이지 시작
91	드라이버 연결이 시작됨
92	PCI Bus 초기화가 시작됨

93	PCI Bus Hot Plug Controller 초기화
94	PCI Bus Enumeration 32
95	PCI Bus 자료 요청
96	PCI Bus 자원 배정
97	콘솔 출력 장치 연결
98	콘솔 입력 장치 연결
99	Super IO 초기화
9A	USB 초기화 작동
9B	USB 리셋
9C	USB 감지
9D	USB 활성화
9E -9F	AMI 코드를 위한 예비용 코드
A0	IDE 초기화 작동
A1	IDE 리셋
A2	IDE 감지
A3	IDE 활성화
A4	SCSI 초기화 작동
A5	SCSI 리셋
A6	SCSI 감지
A7	SCSI 활성화
A8	확인 암호 설정
A9	설치 프로그램 시작
AB	설치 입력 대기
AD	부팅 준비
AE	레거시 부팅
AF	부팅 서비스 종료
B0	Runtime Set Virtual Address MAP 시작
B1	Runtime Set Virtual Address MAP 종료
B2	Legacy Option ROM 초기화
B3	시스템 리셋
B4	USB 핫 플러그
B5	PCI 버스 핫 플러그
B6	Clean-up of NVRAM
B7	구성 재설정 (NVRAM 재설정)
B8 - BF	AMI 코드를 위한 예비용 코드

## DXE 오류 코드

D0	CPU 초기화 오류
D1	시스템 에이전트 초기화 오류
D2	PCH 초기화 오류

D3	일부 규약은 사용할 수 없음
D4	PCI 자원 할당 오류. 자원 부족
D5	Legacy Option ROM에 대한 공간이 없음
D6	콘솔 출력 장치가 없음
D7	콘솔 입력 장치가 없음
D8	유효하지 않은 비밀번호
D9	로딩 부팅 옵션 오류 (LoadImage 오류 반환)
DA	부팅 옵션 실패 (StartImage 오류 반환)
DB	플래시 업데이트 실패
DC	규약 재설정을 사용할 수 없음

### S3 Resume 진행 코드

E0	S3 다시 시작 작동 (S3 Resume PPI is called by the DXE IPL)
E1	S3 부팅 스크립트 실행
E2	비디오 재게시
E3	OS S3 wake vector call
E4 - E7	AMI 진행 코드를 위한 예비용 코드

### S3 Resume 오류 코드

E8	S3 Resume 실패
E9	S3 Resume PPI를 찾을 수 없음
EA	S3 Resume 부팅 스크립트 오류
EB	S3 OS 웨이크 오류
EC - EF	AMI 오류 코드를 위한 예비용 코드

### 복구 진행 코드

F0	복구 조건이 펌웨어에 의거함 (자동 복구)
F1	복구 조건이 사용자에게 의거함(강제 복구)
F2	복구 프로세스가 시작됨
F3	복구 펌웨어 이미지가 나타남
F4	복구 펌웨어 이미지 로딩
F5 - F7	AMI 진행 코드를 위한 예비용 코드

### 복구 오류 코드

F8	복구 PPI를 사용할 수 없음
F9	복구 캡슐을 찾을 수 없음
FA	유효하지 않은 복구 캡슐
FB - FF	AMI 오류 코드를 위한 예비용 코드

## ACPI 상태 코드

다음 코드는 부팅 후 운영 체제가 ACPI 모드를 실행한 후에 나타납니다.

01	S1 절전 상태 실행
02	S2 절전 상태 실행
03	S3 절전 상태 실행
04	S4 절전 상태 실행
05	S5 절전 상태 실행
10	S1 절전 상태로부터 회복
20	S2 절전 상태로부터 회복
30	S3 절전 상태로부터 회복
40	S4 절전 상태로부터 회복
AC	시스템이 ACPI 모드로 전환. PIC 모드에서 인터럽트 컨트롤러를 찾을 수 있음.
AA	시스템이 ACPI 모드로 전환. APIC 모드에서 인터럽트 컨트롤러를 찾을 수 있음.

# OS, 드라이버 & 유틸리티 설치하기

공식 웹사이트 [www.msi.com](http://www.msi.com) 을 방문하여 최신 버전의 유틸리티와 드라이버를 다운로드 및 업데이트하세요 .

## Windows® 10 설치하기

1. 컴퓨터의 전원을 켭니다 .
2. Windows® 10 설치 디스크 /USB 를 컴퓨터에 삽입합니다 .
3. 컴퓨터 케이스의 **Restart** 버튼을 누릅니다 .
4. 컴퓨터가 POST (Power-On Self Test) 하는 동안 **F11** 키를 눌러 부팅 메뉴로 이동합니다 .
5. 부팅 메뉴에서 Windows® 10 설치 디스크 /USB 를 선택합니다 .
6. 화면에 **Press any key to boot from CD or DVD...** 라는 메시지가 나타나면 임의의 키를 누릅니다 .
7. 화면에 나타나는 설명에 따라 Windows® 10 운영 체제를 설치합니다 .

## 드라이버 설치하기

1. Windows® 10 운영 체제에서 컴퓨터를 시작합니다 .
2. MSI® 드라이버 디스크를 광학 드라이브에 삽입합니다 .
3. **Select to choose what happens with this disc** 팝업 알림을 클릭하고, **Run DVDSetup.exe** 을 선택하여 설치 프로그램을 엽니다 . 제어판에서 자동 실행 기능을 해제한 경우에도 MSI 드라이버 디스크의 루트 경로를 통해서 수동으로 **DVDSetup.exe** 를 실행할 수 있습니다 .
4. **Drivers/Software** 탭에서 필요한 모든 드라이버를 찾아내고 목록이 나타납니다 .
5. 윈도우의 하단 오른쪽 코너에 **Install** 버튼을 누릅니다 .
6. 드라이버 설치가 진행됩니다 . 설치가 완료되면 다시시작하라는 메시지가 나타납니다 .
7. **OK** 버튼을 눌러 설치를 완료합니다 .
8. 컴퓨터를 다시시작합니다 .

## 유틸리티 설치하기

유틸리티를 설치하기 전에 드라이버 설치가 완료되어야 합니다 .

1. 위에 설명된 대로 설치 관리자를 엽니다 .
2. **Utilities** 탭을 클릭합니다 .
3. 설치하려는 유틸리티를 선택합니다 .
4. 윈도우 하단 오른쪽 코너의 **Install** 버튼을 누릅니다 .
5. 유틸리티 설치가 진행됩니다 . 설치가 완료되면 다시 시작하라는 메시지가 나타납니다 .
6. **OK** 버튼을 눌러 설치를 완료합니다 .
7. 컴퓨터를 다시 시작합니다 .

# BIOS (바이오스) 설정

기본 설정은 일반적인 조건에서 시스템의 안정성을 위해 최적의 성능을 제공합니다. BIOS에 익숙하지 않을 경우, 시스템 손상 또는 부팅 실패를 방지하기 위해 **항상 기본 설정을 유지**하기 바랍니다.

## **중요사항**

- BIOS 항목은 시스템 성능 향상을 위해 지속적으로 업데이트됩니다. 따라서 여기에 제공된 설명은 최신 BIOS와 조금 상이할 수 있으므로 참조용으로만 사용하십시오. 또한 BIOS 항목에 대해서는 **HELP(도움말)**의 설명을 참고할 수 있습니다.
- 여기에 제공된 그림은 참조용일 뿐이며 구매한 제품에 따라 다를 수 있습니다.
- BIOS 항목은 프로세서에 따라 다를 수 있습니다.

## BIOS 설정

부팅 과정에서 화면에 **DEL 키를 눌러 설정 메뉴로, F11 키를 눌러 부팅메뉴로 이동**이라는 메시지가 나타나면 **Delete** 키를 누르세요.

### 기능 키

- F1:** 도움말
  - F2:** 즐겨찾기 항목 추가/삭제
  - F3:** 즐겨찾기 메뉴로 이동
  - F4:** CPU 규격 메뉴로 이동
  - F5:** Memory-Z(메모리-Z) 메뉴로 이동
  - F6:** 최적의 기본값 불러오기
  - F7:** 고급 모드와 EZ 모드 사이에서 전환
  - F8:** 오버클로킹 프로파일 로드
  - F9:** 오버클로킹 프로파일 저장
  - F10:** 변경값 저장 및 리셋\*
  - F12:** 화면을 캡처한 후 USB 플래시 드라이브에 저장(FAT/ FAT32 포맷 전용).
- Ctrl+F:** 검색 페이지로 이동

\* F10키를 누르면 확인 대화창이 나타나며 변경사항에 대한 정보를 제공합니다. Yes(예) 또는 No(아니요)를 클릭하여 선택을 확인합니다.

## BIOS 리셋

문제 해결을 위해 BIOS 기본 설정을 복원해야 할 경우가 나타날 수 있습니다. BIOS를 리셋하는 방법에는 다음과 같은 몇가지가 있습니다.

- BIOS로 이동한 후 **F6** 키를 눌러 최적화된 기본 값을 로드합니다.
- 메인보드의 **CMOS 클리어** 점퍼를 단락시킵니다.



### 중요사항

CMOS 데이터를 삭제하기 전에 컴퓨터 전원이 꺼져 있는지 확인해야 합니다. BIOS를 재설정하려면 **CMOS 클리어** 점퍼 섹션을 참조하세요.

## BIOS(바이오스) 업데이트

### M-FLASH로 BIOS 업데이트

업데이트 하기전

구입한 모델에 맞는 최신 BIOS 파일을 MSI® 웹사이트에서 다운로드한 후 BIOS 파일을 USB 플래시 드라이브에 저장합니다.

BIOS 업데이트:

1. POST하는 동안 Del 키를 눌러 BIOS 설정 화면으로 이동합니다.
2. 업데이트 파일이 들어있는 USB 플래시 드라이브를 컴퓨터에 삽입합니다.
3. **M-FLASH** 탭을 선택하고 **Yes**를 클릭하여 시스템을 재부팅한 후 플래시 모드로 이동합니다.
4. BIOS 파일을 선택하여 BIOS 업데이트 프로세서를 진행합니다.
5. 100%로 완료되면 시스템이 자동으로 재부팅됩니다.

### MSI 드래곤 센터로 BIOS 업데이트

업데이트 하기 전:

LAN 드라이버가 이미 설치되어 있고 인터넷이 제대로 연결되었는지 확인하세요.

BIOS 업데이트:

1. MSI 드래곤 센터를 설치 및 시작합니다.
2. **BIOS Update**를 선택합니다.
3. **Scan** 버튼을 클릭합니다.
4. **Download** 아이콘을 클릭하여 최신 BIOS 파일을 다운로드한 후 설치합니다.
5. **Next** 를 클릭하고 **In Windows mode**를 선택한 후 **Next** 및 **Start**를 클릭하여 BIOS를 업데이트하기 시작합니다.
6. 100%로 완료되면 시스템이 자동으로 재부팅됩니다.

## 플래쉬 BIOS 버튼으로 BIOS 업데이트

업데이트 하기 전:

구입한 모듈에 맞는 최신 BIOS 파일을 MSI® 웹사이트에서 다운로드한 후 파일 이름을 **MSI.ROM**으로 변경합니다. 그런 다음 **MSI.ROM** 파일을 USB 플래시 드라이브에 저장합니다.



### 중요사항

FAT32 포맷 USB 플래시 드라이브만이 **플래쉬 BIOS 버튼**으로 BIOS를 업데이트하는 것을 지원합니다.

1. **CPU\_PWR1** 및 **ATX\_PWR1**에 전원 공급 장치를 연결합니다. (전원 공급 장치만 필요합니다.)
2. MSI.ROM 파일이 저장된 USB 플래시 드라이브를 후면 I/O 패널의 **플래쉬 BIOS** 포트에 연결합니다.
3. **플래쉬 BIOS** 버튼을 눌러 BIOS를 플래시하면 LED 표시등이 깜빡이기 시작합니다.
4. 100%로 완료되면 LED 표시등이 꺼집니다.



## EZ 모드

EZ 모드는 시스템의 기본 정보를 제공하고 시스템의 기본 설정을 구성할 수 있습니다. 고급 BIOS 설정을 구성하려면 **설정 모드 스위치** 또는 **F7** 기능 키를 눌러 고급 모드로 이동하십시오.



- GAME Boost 스위치 (옵션)** - 센터 버튼을 클릭하여 **소프트웨어(SW)** 와 **하드웨어(HW)** 사이에서 GAME BOOST 제어를 전환할 수 있습니다. 안쪽 원은 하드웨어 GAME BOOST의 현재 단계를 나타내고 바깥 원은 소프트웨어의 현재 단계를 나타냅니다. 오른쪽 하단의 **물음표 마크**를 클릭하여 GAME Boost 기능에 대해 알 수 있습니다. 이 기능은 설치된 프로세서가 이 기능을 지원하는 경우에만 사용할 수 있습니다.

### ! 중요사항

**게임 부스트** 기능을 활성화한 후 최적의 성능과 시스템 안정성을 유지하기 위해 **OC** 메뉴에서 값을 수정하거나 기본값을 로드하지 **말** 것을 권장합니다.

- A-XMP 스위치 (옵션)** - 안쪽 원을 클릭하여 A-XMP 기능을 활성화/비활성화합니다. 바깥 원으로 전환하여 메모리 프로파일(있다면) 선택합니다. 이 스위치는 설치된 프로세서나 메모리 모듈이 A-XMP 기능을 지원하는 경우에만 사용할 수 있습니다.
- 설정 모드 스위치** - 이 탭 또는 **F7** 키를 눌러 고급 모드와 EZ 모드 사이에서 전환할 수 있습니다.
- 스크린샷** - 이 탭 또는 **F12** 키를 눌러 화면을 캡처한 후 USB 플래시 드라이브에 저장합니다 (FAT/FAT32 포맷 전용)..

- 검색** - 이 탭을 클릭하여 **Ctrl+F** 키를 동시에 누르면 검색 페이지를 사용할 수 있습니다. BIOS 항목 이름으로 검색할 수 있으며 마우스를 빈 공간으로 이동하고 마우스 오른쪽 버튼을 눌러 검색 페이지를 종료합니다.

### ! 중요사항

검색 페이지에서는 **F6, F10 및 F12** 기능 키만 사용 가능합니다.

- 언어** - BIOS 설정 시, 필요한 언어를 선택할 수 있습니다.
- 시스템 정보** - CPU/DDR 속도, CPU/MB 온도, MB/CPU 타입, 메모리 용량, CPU/DDR 전압, BIOS 버전 및 시스템 구축 날짜 등 정보를 표시합니다.

- **부팅 장치 우선순위 바** - 장치 아이콘을 이동하여 부팅 순위를 변경합니다. 왼쪽에서부터 오른쪽으로 가면서 낮아지는 순위입니다.
- **정보 디스플레이** - 왼쪽 부분의 **CPU, 메모리, 스토리지, 팬 정보 및 Help** 버튼을 클릭하면 관련 정보가 나타납니다.
- **기능 버튼** - 관련 키를 클릭하여 **LAN Option ROM, ErP Ready, AHCI/ RAID, Indication LED Control, BIOS UEFI/CSM Mode** 및 **RGB Light Control** 기능을 활성화 또는 비활성화할 수 있습니다.
- **M-플래시** - 이 버튼을 클릭하면 **M-Flash** 메뉴가 실행됩니다. 이 메뉴는 USB 플래시 드라이브로 BIOS를 업데이트하는 방법을 제공합니다.
- **하드웨어 모니터** - 이 버튼을 누르면 **Hardware Monitor** 메뉴가 나타나며 이 메뉴에서 퍼센트수로 팬 회전 속도를 수동으로 제어할 수 있습니다.
- **즐거찾기** - **F3** 키를 눌러 **즐거찾기** 메뉴로 이동합니다. BIOS 즐겨찾기 메뉴를 만들어 자주 사용하는 BIOS 설정 항목을 저장한 후 직접 액세스할 수 있습니다.
  - **Default HomePage** - BIOS 메뉴 (예를 들어 설정, OC...등)을 선택하여 BIOS 홈페이지로 설정할 수 있습니다.
  - **Favorite 1~5 page** - 자주 사용하는 BIOS 설정 항목을 하나의 페이지에 추가할 수 있습니다.
  - **즐거찾기 페이지에 BIOS 항목을 추가하기 (Favorite 1-5)**
    1. BIOS 메뉴 또는 검색 페이지에서 마우스를 BIOS 항목에 가져다 놓습니다.
    2. 마우스의 오른쪽 버튼 또는 **F2** 키를 클릭합니다.
    3. 즐겨찾기 페이지를 선택한 후 **OK**를 클릭합니다.
  - **즐거찾기 페이지에서 BIOS 항목 삭제하기**
    1. 즐겨찾기 페이지에서 삭제하려는 BIOS 항목을 선택합니다. (Favorite 1-5)
    2. 마우스의 오른쪽 버튼 또는 **F2** 키를 클릭합니다.
    3. **Delete**를 선택한 후 **OK**를 클릭합니다.

## 고급 모드

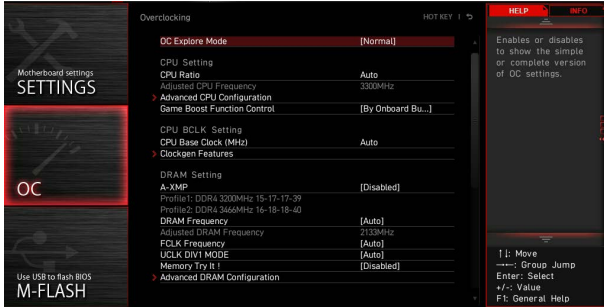
설정 모드 스위치 또는 F7 기능 키를 누르면 EZ 모드와 고급 모드 사이에서 전환할 수 있습니다.



- BIOS(바이오스) 메뉴 선택** - 다음과 같은 옵션이 제공됩니다.
  - SETTINGS(설정)** - 이 메뉴를 사용하여 칩셋 및 부팅 장치에 대한 설정을 지정할 수 있습니다.
  - OC(오버클로킹)** - 이 메뉴를 사용하여 클럭 및 전압을 조정할 수 있습니다. 클럭이 높아지면 성능이 향상됩니다.
  - M-FLASH(M-플래시)** - 이 메뉴는 USB 플래시 드라이브로 BIOS(바이오스)를 업데이트하는 방법을 제공합니다.
  - OC PROFILE(OC 프로필)** - 이 메뉴는 오버클로킹 프로파일을 설정하는 데 사용됩니다.
  - HARDWARE MONITOR(하드웨어 모니터)** - 이 메뉴는 팬 속도를 설정하고 시스템 전압을 모니터링하는 데 사용됩니다.
  - BOARD EXPLORER(보드 탐색기)** - 이 메뉴는 메인보드에 설치된 장치의 정보를 제공합니다.
- 메뉴 디스플레이** - 이 메뉴는 BIOS 설정 및 구성 정보를 제공합니다.

## OC 메뉴

이 메뉴는 메인보드를 오버클럭하려는 고급 사용자를 위한 메뉴입니다.



### ! 중요사항

- 이 항목은 고급 사용자만을 위한 항목입니다.
- 오버클로킹은 보증하지 않습니다. 부적절하게 작동하였을 경우 보증이 무효화 되며 컴퓨터 하드웨어가 심각하게 손상될 수 있습니다.
- 오버클로킹에 익숙하지 않은 경우, 보다 쉽게 오버클로킹하려면 **게임 부스트** 기능을 사용할 것을 권장합니다.
- OC 메뉴의 BIOS 항목은 프로세서에 따라 다릅니다.

#### ▶ OC Explore Mode [Normal]

Enables 이 항목을 활성화 하거나 비활성화하여 OC 설정의 일반 또는 고급 버전을 나타냅니다.

[Normal] 일반 OC 설정을 제공합니다.

[Expert] 고급 OC 설정을 제공하여 BIOS를 구성합니다.

참조: \* 로 고급 모드의 OC 설정을 표시합니다.

#### ▶ CPU Ratio [Auto]

이 항목을 사용하여 CPU의 클럭 속도를 결정하는 CPU 비율을 설정합니다. 이 항목은 프로세서가 이 기능을 지원하는 경우에만 변경됩니다.

#### ▶ Advanced CPU Configuration

Enter를 눌러 서브 메뉴를 시작합니다. 사용자는 CPU 전원/전류에 대한 한도를 설정할 수 있습니다. 한도를 변경한 후 시스템이 불안정해지거나 부팅이 불가능해질 수 있으니, 그럴 경우 CMOS 데이터를 지우고 기본 설정을 복원하세요.

#### ▶ Game Boost Function Control [온보드 버튼]

BIOS상의 버튼을 누르거나 메인보드위의 버튼을 눌러 GAME BOOST 기능 활성화를 설정합니다.

#### ▶ A-XMP [Disabled]

A-XMP를 활성화하거나 메모리 오버클로킹을 위한 메모리 모듈 프로파일을 선택하세요. 이 항목은 설치된 프로세서 /메모리 모듈/ 메인보드가 이 기능을 지원하는 경우 사용할 수 있습니다.

▶ **DRAM Frequency [Auto]**

이 항목은 DRAM 클럭을 조정할 수 있습니다. 단, 오버클로킹의 작동이나 안정성은 보증하지 않습니다.

▶ **FCLK Frequency [Auto]**

이 항목은 FCLK 주파수(Internal Data Fabric clock of DRAM)를 조정할 수 있습니다. 단, 오버클로킹의 작동이나 안정성은 보증하지 않습니다.

▶ **UCLK DIV1 Mode [Auto]**

이 항목은 UCLK (Internal memory controller clock) 모드를 조정할 수 있습니다.

▶ **Memory Try It ! [Disabled]**

이 기능은 최적의 메모리 프리셋을 선택하여 메모리 호환성 또는 성능을 향상시켜 줍니다.

▶ **Adjusted DRAM Frequency**

이 항목은 조정된 DRAM 주파수를 표시합니다. 읽기 전용입니다.

▶ **Advanced DRAM Configuration**

**Enter**를 눌러 서브 메뉴를 시작합니다. 사용자는 메모리의 각 채널에 대해 메모리 타이밍을 설정할 수 있습니다. 메모리 타이밍 설정을 변경한 후 시스템이 불안정하거나 부팅되지 않을 수도 있으니 그럴 경우, CMOS 데이터를 삭제하고 기본 설정을 복원하세요. (CMOS 클리어 접퍼 부분의 내용을 참조하여 CMOS 데이터를 삭제하고 BIOS에서 기본 설정을 로드하세요.)

▶ **DigitALL Power**

**Enter**를 눌러 서브 메뉴를 시작합니다. 이 항목을 사용하여 CPU PWM과 관련된 디지털 전원을 제어할 수 있습니다.

▶ **CPU Loadline Calibration Control [Auto]**

CPU 전압은 CPU 로딩에 따라 비례하여 감소합니다. 로드라인 보정이 높을수록 전압이 높아지고 오버클로킹 성능은 좋아지지만 CPU와 VRM 온도가 높아집니다. **Auto**로 설정하면 BIOS는 이 설정을 자동으로 구성합니다.

▶ **CPU Over Voltage Protection [Auto]**

이 항목을 사용하여 CPU 과전압 보호 제한 값을 설정할 수 있습니다. **Auto**로 설정하면 BIOS는 이 설정을 자동으로 구성합니다. 전압이 높을수록 보호가 감소되며 시스템이 손상될 수 있습니다.

▶ **CPU Under Voltage Protection [Auto]**

이 항목을 사용하여 CPU 저전압 보호 제한 값을 설정할 수 있습니다. **Auto**로 설정하면 BIOS는 이 설정을 자동으로 구성합니다. 전압이 높을수록 보호가 감소되며 시스템이 손상될 수 있습니다.

▶ **CPU Over Current Protection [Auto]**

이 항목을 사용하여 CPU 과전류 보호 제한 값을 설정할 수 있습니다. **Auto**로 설정하면 BIOS는 이 설정을 자동으로 구성합니다.

[Auto] 이 설정은 BIOS에서 자동으로 구성됩니다.

[Enhanced] 과전류 보호 제한 값을 확장합니다.

▶ **CPU NB Loadline Calibration Control [Auto]**

CPU-NB 전압은 CPU-NB 로딩에 따라 비례하여 감소합니다. 로드라인 보정이 높을수록 전압이 높아지고 오버클로킹 성능은 좋아지지만 온도가 높아집니다. **Auto**로 설정하면 BIOS는 이 설정을 자동으로 구성합니다.

▶ **CPU Voltages control [Auto]**

이 옵션 항목을 사용하여 CPU 전압을 설정할 수 있습니다. **Auto**로 설정하면 BIOS는 이 설정을 자동으로 구성하며 수동으로 설정할 수도 있습니다.

▶ **DRAM Voltages control [Auto]**

이 항목을 사용하여 DRAM 과전압 보호 제한 값을 설정할 수 있습니다. **Auto**로 설정하면 BIOS는 이 설정을 자동으로 구성합니다.

▶ **Memory Changed Detect [Enabled]\***

이 기능을 활성화 또는 비활성화하여 메모리가 교체되었을 경우, 시스템 부팅시 경고 메시지가 나타날지를 결정합니다.

[Enabled] 부팅시 경고 메시지가 나타나며 새 장치에 필요한 기본 값을 로드해야 합니다.

[Disabled] 이 기능을 비활성화하는 동시에 현재 BIOS 설정을 유지합니다.

▶ **CPU Specifications**

**Enter**를 눌러 서브 메뉴를 시작합니다. 이 서브 메뉴는 설치된 CPU의 정보를 표시하며 읽기 전용입니다. 사용자는 언제든지 [F4]키를 눌러 정보 메뉴에 액세스할 수 있습니다.(읽기 전용)

▶ **CPU Technology Support**

**Enter**를 눌러 서브 메뉴를 시작합니다. 이 서브 메뉴는 설치된 CPU가 지원하는 주요 기능을 표시합니다. (읽기 전용)

▶ **MEMORY-Z**

**Enter**를 눌러 서브 메뉴를 시작합니다. 이 서브 메뉴는 설치된 메모리의 모든 설정과 타이밍을 표시합니다.사용자는 언제든지 [F5]키를 눌러 정보 메뉴에 액세스할 수 있습니다.

▶ **DIMMx Memory SPD**

**Enter**를 눌러 서브 메뉴를 시작합니다. 이 서브 메뉴는 설치된 메모리의 정보를 표시합니다.(읽기 전용)

▶ **CPU Features**

**Enter**를 눌러 서브 메뉴를 시작합니다.

▶ **Simultaneous Multi-Threading [Enabled] (옵션)**

AMD Simultaneous Multi-Threading 기능을 활성화 또는 비활성화합니다. 이 항목은 해당 기능을 지원하는 CPU가 설치되어 있는 경우 나타납니다.

▶ **Global C-state Control [Enabled] (옵션)**

IO 기반 C-state 생성 및 DF C-states 기능을 활성화 또는 비활성화합니다.

### ▶ OpCache Control [Auto] (옵션)

OpCache 기능을 활성화 또는 비활성화합니다. OpCache는 지시가 반복될 때 디코딩 시간을 줄이기 위해 최근 디코드 지시를 저장합니다. 그리고 이는 CPU 성능을 높이고 전력 소비를 약간 줄일 수 있습니다.

### ▶ IOMMU Mode (옵션)

I/O 가상화를 위한 IOMMU (I/O Memory Management Unit) 기능을 활성화 또는 비활성화합니다.

### ▶ Spread Spectrum (옵션)

이 기능은 펄스 조절로 생성된 EMI (Electromagnetic Interference)를 줄여줍니다.

[Enabled] 이 기능을 활성화하여 EMI (Electromagnetic Interference)를 줄여줍니다.

[Disabled] CPU 베이스 클럭의 오버클로킹 능력을 향상시킵니다.



### 중요사항

- EMI 문제가 없는 경우, 최적의 시스템 안정성과 성능을 위해 [Disabled (사용 안 함)] 설정을 권장합니다. 그러나, EMI 문제가 있다면, EMI 감소를 위해 Spread Spectrum의 값을 선택하십시오.
- Spread Spectrum의 값이 클수록 EMI가 감소하지만, 시스템 안정성은 저해됩니다. 가장 적합한 값은 사용지역의 EMI 규정을 참고하십시오.
- 약간의 지터에 의해서라도 클럭의 속도가 일시적으로 상승하여 오버클럭 된 프로세서에 영향을 줄 수 있습니다. 만약, 오버클럭을 하는 경우에는 Spread Spectrum 을 비활성화하십시오.

### ▶ Relaxed EDC throttling [Auto] (옵션)

Relaxed EDC throttling은 프로세서가 코어를 조절하는 데 걸리는 시간을 줄입니다.

[Auto] AMD 권장

[Enabled] 프로세서의 스로틀 시간을 감소합니다.

[Disabled] 파트별 EDC 스로틀 보호가 활성화됩니다.

### ▶ AMD Cool' n' Quiet [Enabled]

Cool' n' Quiet 기술은 효율적이고 동적으로 CPU 속도와 소비 전력을 낮출 수 있습니다.

### ▶ SVM Mode [Enabled]

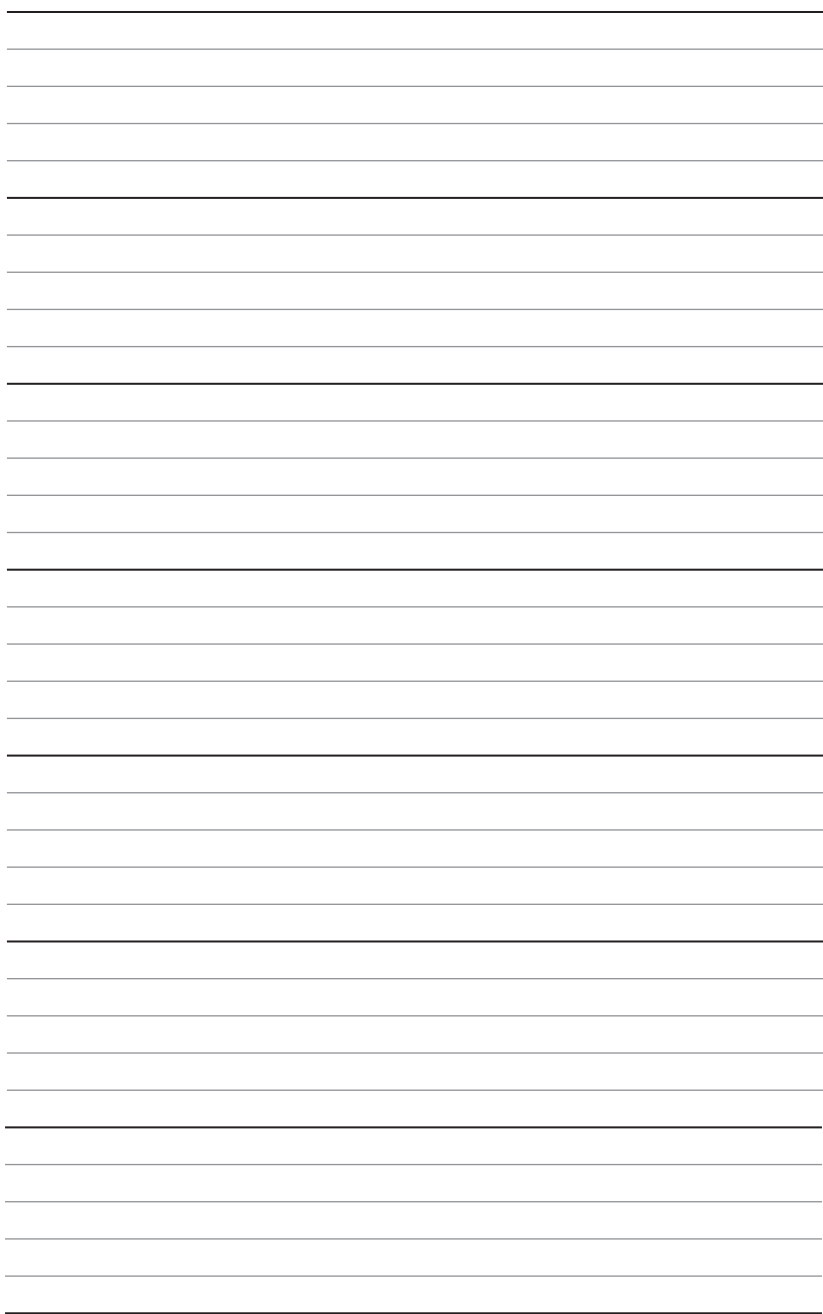
AMD 보안 가상 시스템 (SVM, Secure Virtual Machine) 모드를 활성화 또는 비활성화 합니다.

### ▶ BIOS PSP Support [Enabled] (옵션)

BIOS PSP 지원을 활성화 또는 비활성화 합니다. 모든 C2P/P2C 메일박스, 보안 S3, fTPM 지원을 포함한 PSP 하위 항목을 관리합니다.

### ▶ Power Supply Idle Control [Auto] (옵션)

이 항목을 사용하여 모든 코어가 비-CO 상태일 때 CPU에 대한 절전 제어 모드를 선택할 수 있습니다. **Auto**로 설정하면 BIOS는 이 설정을 구성할 것입니다.





# 目錄

安全說明.....	3
主機板規格.....	4
JCORSAIR1 接頭規格.....	10
包裝內容.....	10
背板 I/O .....	11
網路連接埠 LED 燈狀態表 .....	11
音效連接埠設置 .....	11
Realtek 音效控制台 .....	12
安裝天線.....	14
元件總覽.....	15
處理器腳座.....	16
記憶體插槽.....	17
PCI_E1~5: PCIe 擴充插槽 .....	18
M2_1~3: M.2 插槽 (M 鍵) .....	20
SATA1~4: SATA 6Gb/s 插孔.....	22
JFP1, JFP2: 系統面板接頭.....	22
CPU_PWR1~2, ATX_PWR1: 電源接頭.....	23
OC1: GAME BOOST 旋鈕 .....	24
JAUD1: 前置音效插孔.....	25
JUSB1: USB 3.2 Gen 2 Type-C 接頭.....	26
JUSB2~3: USB 3.2 Gen1 接頭.....	26
JUSB4~5: USB 2.0 接頭.....	27
JTPM1: TPM 模組接頭.....	27
CPU_FAN1, PUMP_FAN1, SYS_FAN1~5: 風扇電源接頭 .....	28
JCI1: 機殼開啟接頭.....	29
JBAT1: 清除 CMOS (重置 BIOS) 功能跳線 .....	30
POWER1, RESET1: 電源按鈕、重新開機按鈕 .....	30
JRGB1: RGB LED 接頭.....	31
JRAINBOW1~2: 可定址 RGB LED 接頭.....	32
JCORSAIR1: CORSAIR 接頭.....	33
內建 LED 指示燈 .....	34
EZ 偵錯 LED 指示燈.....	34
JPWRLED1: LED 電源輸入 .....	34
除錯碼 LED .....	34
十六進位字元表 .....	35

開機階段.....	35
除錯碼 LED 表.....	35
<b>安裝作業系統、驅動程式、及工具軟體.....</b>	<b>40</b>
安裝 Windows® 10.....	40
安裝驅動程式.....	40
安裝工具軟體.....	40
<b>BIOS 設定.....</b>	<b>41</b>
進入 BIOS 設定.....	41
重設 BIOS.....	42
更新 BIOS.....	42
EZ 模式.....	44
進階模式.....	46
OC 功能表.....	47

# 安全說明

- 本包裝內所含的組件可能因靜電 (ESD) 受到損壞。請務必依循以下指示，以確保能成功組裝電腦。
- 請確定所有組件均確實連接妥善。如有鬆脫，可能會造成電腦無法識別該組件或無法啟動電腦。
- 拿取主機板時，請抓主機板的邊緣，以免碰觸到較易損壞的組件。
- 拿取主機板時，建議您戴靜電手環，以免產生靜電損壞主機板。若無靜電手環，請先觸摸其他金屬物品以讓自身放電，再碰觸主機板。
- 若未安裝主機板，請務必將其存放於靜電屏蔽的容器中或置於防靜電桌墊上。
- 開機之前，請先確認主機板上方或機殼內，無任何鬆脫的螺絲或其他金屬組件。
- 安裝完成再開機，以免損壞組件或傷到使用者。以免損壞組件或傷到使用者。
- 若在安裝步驟中需要任何協助，請與通過認證的電腦工程師連繫。
- 在安裝或移除任何組件前，請務必先將電源供應器關閉，並將電源線由插座拔除。
- 請妥善保存本使用手冊，以便日後參照。
- 務必讓本主機板遠離潮濕與濕氣。
- 將電源供應器連接到插座前，請先確認電源插座供電之伏特數與電源供應器標示的數值相同。
- 請將電源線纜放置於不會受到踩踏的位置，並請不要將任何物體擺放於電源線纜之上。
- 請務必留意主機板所發出的任何警語或警示。
- 若發生以下任何情況，請將主機板送交服務人員進行檢查：
  - 液體滲入電腦。
  - 主機板暴露於潮濕環境。
  - 主機板運作異常，或無法依使用手冊讓主機板回復正常運作。
  - 主機板摔落且受損。
  - 主機板出現明顯破損。
- 請勿將本主機板放置於 60°C (140°F) 以上的環境，否則主機板可能損壞。

# 主機板規格

支援處理器	支援 AM4 腳位的第二、三代 AMD Ryzen™/ 搭載 Radeon™ Vega 顯示晶片的 Ryzen™/ 搭載 Radeon™ 顯示晶片的第二代 AMD Ryzen™ 桌上型處理器
晶片組	AMD® X570 晶片組
支援記憶體	<ul style="list-style-type: none"><li>● 4 條 DDR4 記憶體插槽，最高支援總容量 128GB*<ul style="list-style-type: none"><li>▪ 第三代 AMD Ryzen™ 處理器透過 JEDEC 支援 DDR4 1866/ 2133/ 2400/ 2667/ 2800/ 2933/ 3000/ 3066/ 3200 MHz，透過 A-XMP OC 模式支援 2667/ 2800/ 2933/ 3000/ 3066/ 3200/ 3466/ 3600/ 3733/ 3866/ 4000/ 4133/ 4266/ 4400/ 4533/ 4600 MHz</li><li>▪ 第二代 AMD Ryzen™ 處理器 / 搭載 Radeon™ Vega 顯示晶片的第一、二代 AMD Ryzen™ 的處理器，透過 JEDEC 支援 DDR4 1866/ 2133/ 2400/ 2667/ 2800/ 2933/ 3000/ 3066/ 3200 MHz，透過 A-XMP OC 模式支援 2667/ 2800/ 2933/ 3000/ 3066/ 3200/ 3466/ 3600 MHz</li></ul></li><li>● 雙通道記憶體架構</li><li>● 支援 non-ECC UDIMM 記憶體</li><li>● 支援 ECC UDIMM 記憶體 (非 -ECC 模式)</li><li>● 支援無緩衝記憶體</li></ul> <p>* 更多相容記憶體的相關資訊，請參閱 <a href="http://www.msi.com">www.msi.com</a>。</p>
擴充插槽	<ul style="list-style-type: none"><li>● 2 個 PCIe 4.0/ 3.0 x16 插槽 (PCI_E1, PCI_E3)<ul style="list-style-type: none"><li>▪ 第三代 AMD Ryzen™ 支援 PCIe 4.0 x16/x0, x8/x8 速度</li><li>▪ 第二代 AMD Ryzen™ 支援 PCIe 3.0 x16/x0, x8/x8 速度</li><li>▪ 搭載 Radeon™ Vega 顯示晶片的 Ryzen™ 處理器/ 搭載 Radeon™ 顯示晶片的第二代 AMD Ryzen™ 處理器支援 PCIe 3.0 x8 速度*</li></ul></li><li>● 1 個 PCIe 4.0/ 3.0 x16 插槽 (PCI_E5, 支援 x4 速度)</li><li>● 2 個 PCIe 4.0/ 3.0 x1 插槽**</li></ul> <p>* PCI_E3 插槽僅在安裝第二代、第三代的 AMD Ryzen™ 處理器時可運作。 ** 兩個 PCIe x1 插槽無法同時使用。在 PCI_E4 安裝 PCIe 卡時，PCI_E2 將無法運作。 *** 以上所述之速度可能因設備不同而有差異。</p>
支援多顯示卡	<ul style="list-style-type: none"><li>● 支援 2-Way NVIDIA® SLI® 技術</li><li>● 支援 3-Way AMD® CrossFire™ 技術</li></ul>
網路	1 個 Intel® WGI211AT Gigabit 網路控制器 1 個 Realtek® RTL8125 2.5 Gbps 網路控制器

接下頁

<p>無線 LAN 與 Bluetooth®</p>	<p>Intel® Wi-Fi 6 AX200</p> <ul style="list-style-type: none"> <li>▪ 支援 802.11 a/b/g/n/ac/ax, MU-MIMO Rx, 2.4GHz- 5GHz (160MHz) 最高可達 2.4Gbps</li> <li>▪ 支援 Bluetooth® 5</li> <li>▪ 無線模組已預先安裝於 M2_4 (E 鍵) 插槽</li> </ul>
<p>音效</p>	<p>Realtek® ALC1220 解碼晶片</p> <ul style="list-style-type: none"> <li>• 7.1 聲道高音質音效</li> <li>• 支援光纖 S/PDIF 輸出</li> </ul>
<p>儲存</p>	<p>AMD® X570 晶片組</p> <ul style="list-style-type: none"> <li>• 4 個 SATA 6Gb/s 連接埠</li> <li>• 2 個 M.2 插槽 (M2_2/ M2_3, M 鍵)*             <ul style="list-style-type: none"> <li>▪ 支援 PCIe 4.0/ 3.0 x4 及 SATA 6Gb/s</li> <li>▪ 支援 2242/ 2260 /2280 儲存裝置</li> </ul> </li> </ul> <p>AMD® 處理器</p> <ul style="list-style-type: none"> <li>• 1 個 M.2 插槽 (M2_1, M 鍵)*             <ul style="list-style-type: none"> <li>▪ 支援 PCIe 4.0 x4 (第三代 AMD Ryzen™)</li> <li>▪ 支援 PCIe 3.0 x4 (第二代 AMD Ryzen™/ 搭載 Radeon™ Vega 顯示晶片的 Ryzen™ 及搭載 Radeon™ 顯示晶片的第二代 AMD Ryzen™)</li> <li>▪ 支援 2242/ 2260 /2280/ 22110 儲存裝置</li> </ul> </li> </ul> <p>* 以上所述之速度可能因設備不同而有差異。</p>
<p>RAID</p>	<p>AMD® X570 晶片組</p> <ul style="list-style-type: none"> <li>• 支援 RAID 0-RAID 1 及 RAID 10</li> </ul>
<p>USB 連接埠</p>	<p>AMD® X570 晶片組</p> <ul style="list-style-type: none"> <li>▪ 3 個 USB 3.2 Gen2 (SuperSpeed USB 10Gbps) 連接埠 (2 個 Type-A 連接埠位於背板, 1 個 Type-C 內部接頭)</li> <li>▪ 4 個 USB 3.2 Gen1 (SuperSpeed USB) 連接埠透過內部 USB 3.2 Gen1 接頭提供</li> <li>▪ 6 個 USB 2.0 (High-speed USB) 連接埠 (2 個 Type-A 連接埠位於背板, 4 個連接埠透過內部 USB 2.0 接頭提供)</li> </ul> <p>AMD® 處理器</p> <ul style="list-style-type: none"> <li>▪ 2 個 USB 3.2 Gen2 (第三代 AMD Ryzen™) 連接埠或 USB 3.2 Gen1 (第二代 AMD Ryzen™/ 搭載 Radeon™ Vega 顯示晶片的 Ryzen™ 及搭載 Radeon™ 顯示晶片的第二代 AMD Ryzen™) 連接埠 (1 個 Type-A 與 1 個 Type-C) 位於背板</li> <li>▪ 2 個 USB 3.2 Gen1 (SuperSpeed USB) Type-A 連接埠位於背板</li> </ul>

承上頁

I/O 控制器	NUVOTON NCT6797 控制晶片
硬體監測器	<ul style="list-style-type: none"> <li>• CPU/ 系統/ 晶片組溫度偵測</li> <li>• CPU/ 系統/ 晶片組風扇速度偵測</li> <li>• CPU/ 系統/ 晶片組風扇速度控制</li> </ul>
外形規格	<ul style="list-style-type: none"> <li>• ATX 規格</li> <li>• 12 x 9.6 英寸 (30.5 x 24.4 公分)</li> </ul>
內建接頭	<ul style="list-style-type: none"> <li>• 1 個 24-pin ATX 主電源接頭</li> <li>• 2 個 8-pin ATX 12V 電源接頭</li> <li>• 4 個 SATA 6Gb/s 接頭</li> <li>• 2 個 USB 2.0 接頭 (可另支援 4 個 USB 2.0 連接埠)</li> <li>• 2 個 USB 3.2 Gen 1 接頭 (可另支援 4 個 USB 3.2 Gen 1 連接埠)</li> <li>• 1 個 USB 3.2 Gen 2 Type-C 連接埠</li> <li>• 1 個 4-pin CPU 風扇接頭</li> <li>• 5 個 4-pin 系統風扇接頭</li> <li>• 1 個 4-pin 水冷接頭</li> <li>• 1 個面板音效接頭</li> <li>• 2 個系統面板接頭</li> <li>• 1 個 TPM 模組接頭</li> <li>• 1 個清除 CMOS 功能跳線</li> <li>• 1 個機殼開啟接頭</li> <li>• 1 個電源按鈕</li> <li>• 1 個重新開機按鈕</li> <li>• 1 個 Game Boost 旋鈕</li> <li>• 1 個 4-pin RGB LED 接頭</li> <li>• 2 個 3-pin RAINBOW LED 接頭</li> <li>• 1 個 3-pin CORSAIR 接頭</li> <li>• 1 個 2-pin LED 電源插孔</li> <li>• 1 個 Debug Code LED</li> <li>• 4 個 EZ Debug LED</li> </ul>

接下頁

<p>背板接頭</p>	<ul style="list-style-type: none"> <li>• 1 個清除 CMOS 按鈕</li> <li>• 1 個更新 BIOS 按鈕</li> <li>• 1 個 WiFi/ Bluetooth 模組</li> <li>• 1 個 PS/2 鍵盤/ 滑鼠連接埠</li> <li>• 2 個 USB 2.0 連接埠</li> <li>• 2 個 USB 3.2 Gen 1 連接埠</li> <li>• 2 個 LAN(RJ45) 連接埠</li> <li>• 1 個 USB 3.2 Gen 2/ 1 Type C 連接埠</li> <li>• 1 個 USB 3.2 Gen 2/ 1 Type A 連接埠</li> <li>• 2 個 USB 3.2 Gen 2 Type A 連接埠</li> <li>• 5 個無氧銅音訊插孔</li> <li>• 1 個光纖 S/PDIF 輸出接頭</li> </ul>
<p>BIOS 功能</p>	<ul style="list-style-type: none"> <li>• 1 個 256 Mb flash</li> <li>• UEFI AMI BIOS</li> <li>• ACPI 6.1, SM BIOS 2.8</li> <li>• 多國語</li> </ul>
<p>軟體</p>	<ul style="list-style-type: none"> <li>• 驅動程式</li> <li>• DRAGON CENTER</li> <li>• Nahimic Audio</li> <li>• CPU-Z MSI GAMING</li> <li>• MSI App Player (BlueStacks)</li> <li>• Google Chrome™、Google 工具列、Google 雲端硬碟</li> <li>• Norton™ Internet Security Solution</li> </ul>
<p>Dragon Center 特色</p>	<ul style="list-style-type: none"> <li>• DRAGON OPTIMIZATION</li> <li>• OC Performance</li> <li>• Hardware Monitor</li> <li>• True Color</li> <li>• LAN Manager</li> <li>• Mystic Light</li> <li>• Live Update</li> </ul> <div style="text-align: right; margin-top: 20px;">  <p>請連結至 <a href="http://download.msi.com/manual/mb/DRAGONCENTER2.pdf">http://download.msi.com/manual/mb/DRAGONCENTER2.pdf</a> 以查閱更多資訊。</p> </div>

專屬特色

- 音效
  - Audio Boost HD
  - Nahimic3
  - Voice Boost
- 網路
  - GAMING 網路連接埠與 Gaming 網路頻寬管理軟體
  - Dual LAN (2.5G+1G)
  - Intel WiFi
- 儲存
  - Lightning Gen 4 M.2
  - Triple M.2
- 散熱
  - Zero Frozr 技術
  - Frozr 散熱片設計
  - Propeller Blade 技術
  - M.2 Shield Frozr
  - Pump Fan
  - Gaming 風扇控制軟體
- LED 燈
  - 無限炫彩效果
  - 炫彩效果 3
  - 炫彩效果延伸接頭 (RGB)
  - 炫彩效果延伸接頭 (RAINBOW)
  - 炫彩效果延伸接頭 (CORSAIR)
  - 炫彩效果同步技術
  - EZ 除錯 LED 指示燈
- 保護
  - DDR4 鋼鐵裝甲
  - PCI-E 鋼鐵裝甲
  - 預先裝設的 IO 擋板



專屬特色

- 效能
  - Lightning Gen 4 PCI-E 插槽
  - 多顯示卡-SLI 技術
  - 多顯示卡-CrossFire 技術
  - DDR4 加速引擎
  - 核心加速引擎
  - GAME 加速引擎 (8 種模式)
  - GAME 加速引擎
  - OC 引擎 (Clock gen)
  - USB Type A+C 連接埠
  - AMD Turbo USB 3.2 Gen 2
  - 前置 USB Type-C
  - 雙 CPU Power
- 玩家體驗
  - DRAGON CENTER
  - GAMING 熱鍵
  - GAMING 滑鼠控制
  - USB SPEED UP
  - Total Fan control
  - 驅動程式線上即時更新軟體
  - APP Player
- BIOS
  - 第五代圖形化 BIOS
  - 更新 BIOS 按鈕

## JCORSAIR1 接頭規格

支援 CORSAIR RGB 產品	連接上限
Lighting PRO RGB LED 燈條	20* * 如 LED 燈條數量超過 8 條,建議調整為 20% 亮度。
HD120 RGB 風扇	6
SP120 RGB 風扇	6
LL120 RGB 風扇	6

## 包裝內容

請檢查您的主機板包裝的內容,應包含:

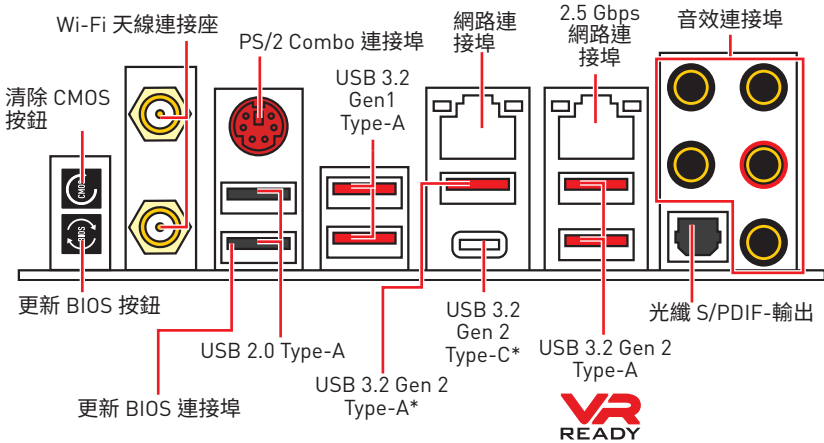
主機板	MEG X570 ACE	
連接線纜	SATA 6Gb/s 連接線	4
	1 轉 2 RGB LED Y 型延長線 (80 公分)	1
	CORSAIR RGB LED 延長線 (50 公分)	1
	彩虹 RGB LED 延長線 (80 公分)	1
配件	天線組	1
	8.5H M.2 螺絲	3
	機殼銘牌	1
	SATA 連接線標籤	1
	產品註冊卡	1
軟體 DVD	驅動程式 DVD	1
印刷文件	使用說明書	1
	快速安裝指引	1



**重要**

如果上述任何物品有損壞或遺漏,請聯繫您的購買商家。

# 背板 I/O



\*USB 3.2 Gen2 (安裝第三代 AMD Ryzen™ 時) 或 USB 3.2 Gen1 (安裝第二代 AMD Ryzen™/ 搭載 Radeon™ Vega 顯示晶片的 Ryzen™ 及搭載 Radeon™ 顯示晶片的第二代 AMD Ryzen™ 處理器時)

- **清除 CMOS 按鈕** - 關閉電腦電源。按住「清除 CMOS」按鈕約 5-10 秒，可將 BIOS 重設為預設值。
- **更新 BIOS 按鈕/連接埠** - 請參閱第 43 頁了解如何使用 更新 BIOS 按鈕來更新 BIOS。

## 網路連接埠 LED 燈狀態表

連線/工作燈號		網路連接埠	速度燈號	
狀態	說明		狀態	速度
關閉	未連線		關閉	10 Mbps
黃燈	已連線		綠燈	100 Mbps / 1 Gbps
閃爍	資料傳輸中		橘燈	2.5 Gbps
				10 Mbps

## 音效連接埠設置

音效連接埠	聲道			
	2	4	6	8
中置/低音輸出			●	●
後置喇叭輸出		●	●	●
音源輸入/側邊喇叭輸出				●
音源輸出/前置喇叭輸出	●	●	●	●
麥克風輸入				

(●: 已連接, 空白: 未連接)

## Realtek 音效控制台

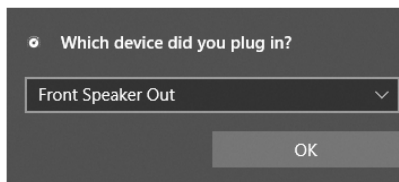
安裝 Realtek 音效控制台後，您可以使用它來更改聲音設定以獲得更好的聲音體驗。



- **裝置選擇** - 讓您選擇音效輸出源，以變更相關設定。勾選符號表示該裝置為預設。
- **應用程式增強** - 這些設定提供輸出及輸入裝置，產生預期音效的完整說明。
- **主音量** - 拖曳調整桿以控制您插入前面板或背板的喇叭的音量或左右平衡。
- **插孔狀態** - 以圖示表示目前已連接到電腦的音效裝置。
- **接頭設定** - 調整連接設定。

### 自動彈出對話視窗

將裝置插入音效接頭時，系統會自動彈出對話視窗，請選擇您所接上的裝置。

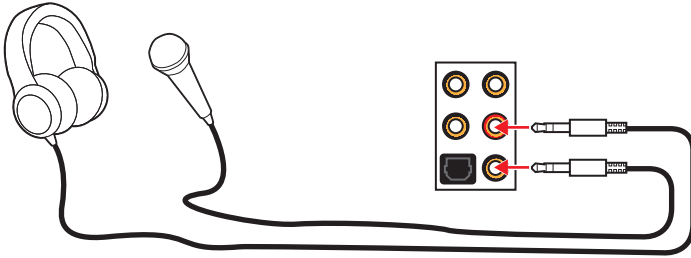


如下一個頁面所顯示的，各個接頭會對應到其預設的設定值。

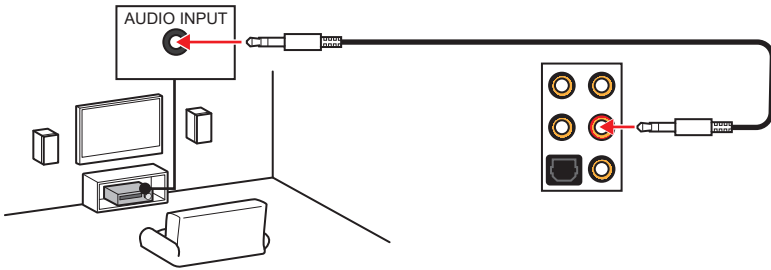


以上圖片僅供參考，可能與您購買的產品有所差異。

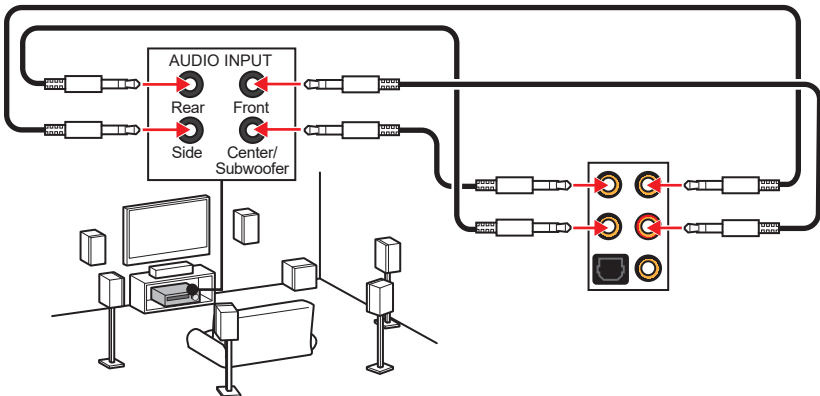
### 連接耳機與麥克風插孔示意圖



### 連接立體聲喇叭插孔示意圖

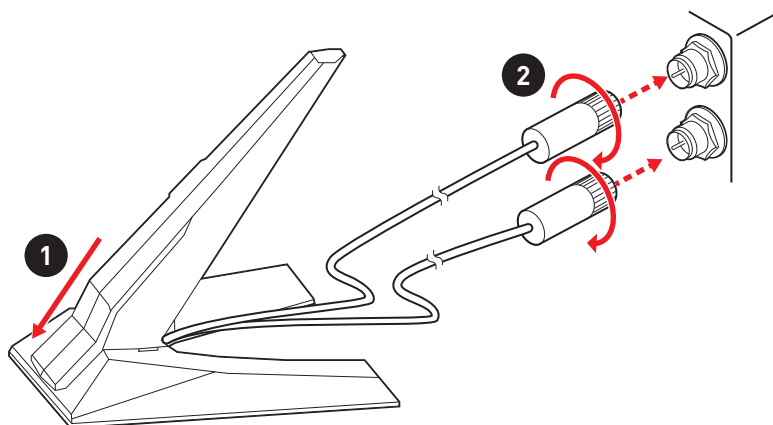


### 連接 7.1 聲道喇叭插孔示意圖

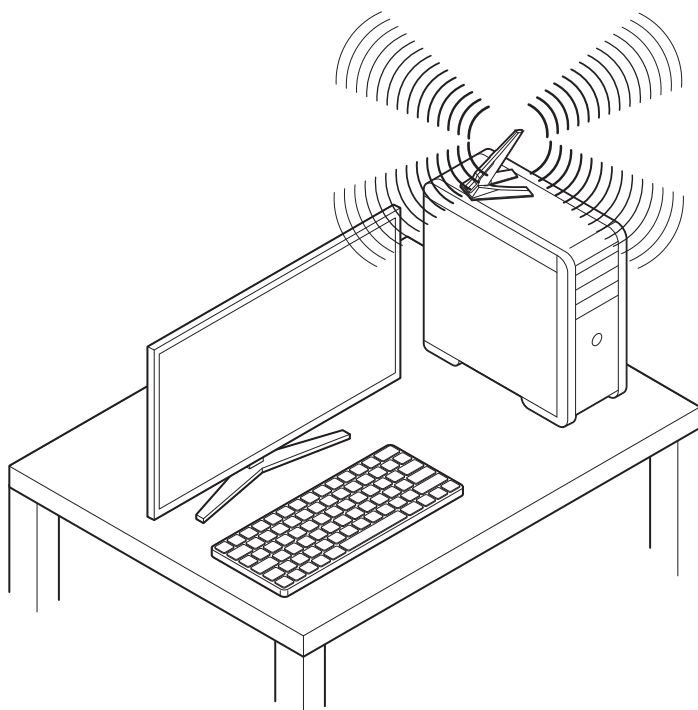


## 安裝天線

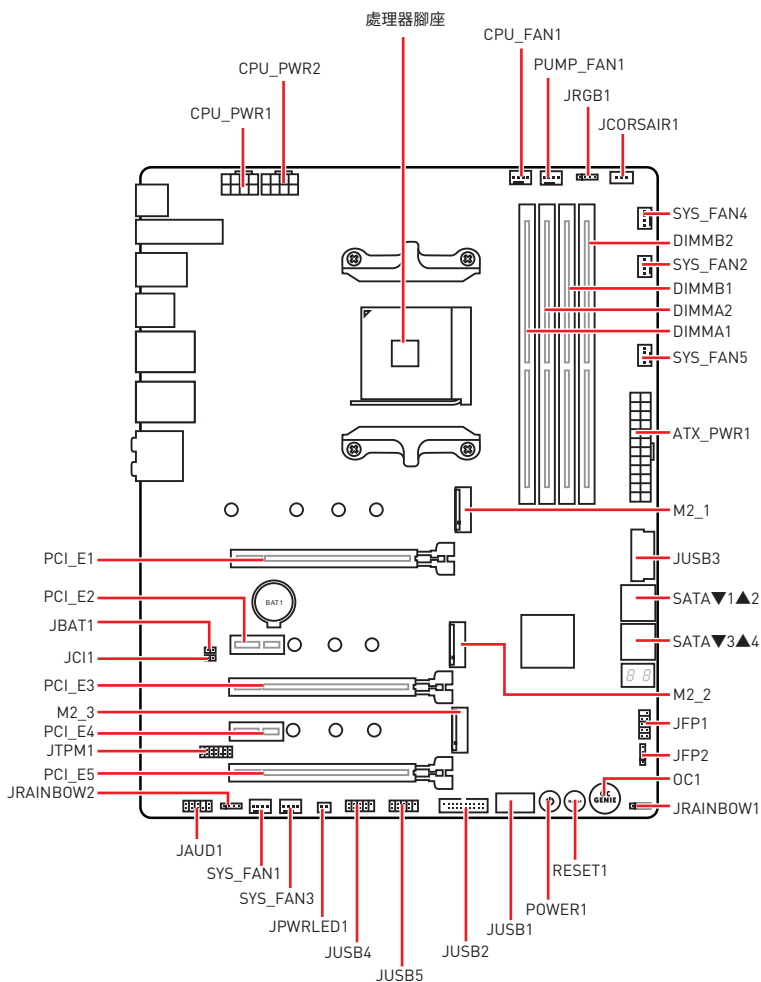
1. 將天線連接至底座上。
2. 將兩支天線鎖緊至 WiFi 天線接頭上，如圖所示。



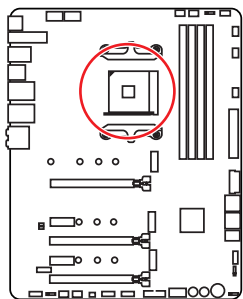
3. 盡量將天線放置在高處。



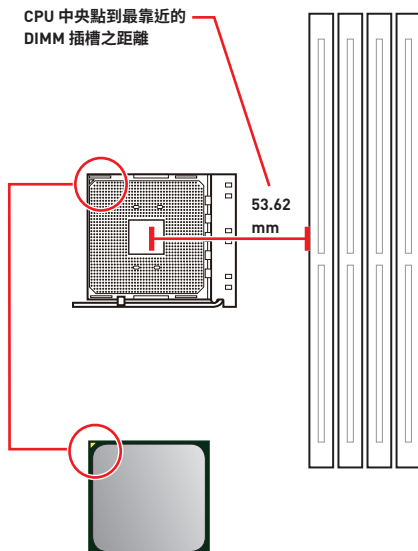
# 元件總覽



## 處理器腳座



CPU 中央點到最靠近的 DIMM 插槽之距離



### AM4 處理器介紹

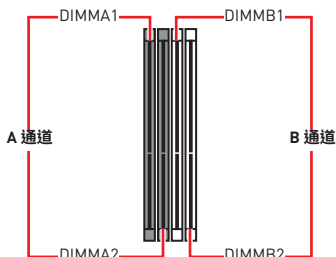
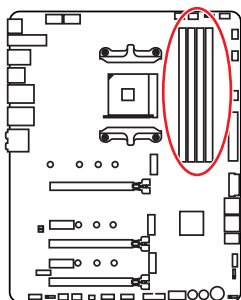
AM4 處理器正面有一個黃色的三角形，可供安裝處理器時辨識方向之用。黃色三角形即是第一腳位所在的位置。

### ! 重要

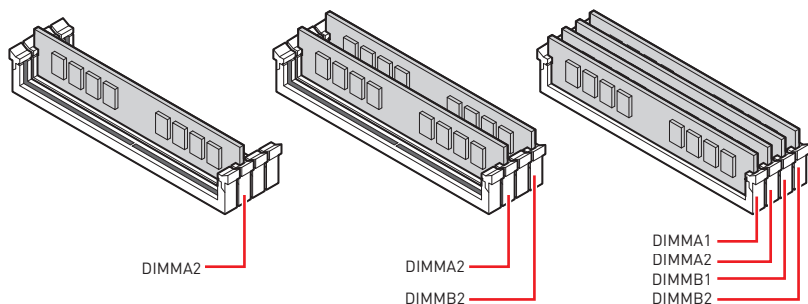
- 因 AM4 處理器架構的關係，當您更換了處理器，系統設定將會被清除，並將 BIOS 重設為預設值。
- 請務必先將電源線由電源插座移除，再安裝或取下中央處理器。
- 安裝 CPU 後，請務必在其上安裝散熱器。CPU 須裝有散熱器才能避免過熱，並維持系統穩定。
- 請務必先確認 CPU 已與散熱器緊密地結合，再啟動電腦系統。
- 溫度過高會嚴重損壞 CPU 和系統。請確保散熱器正常運作，以免 CPU 過熱。請於 CPU 與散熱器間均勻塗抹散熱膏或貼上耐溫膠帶以加強散熱。
- 如果您選購的是獨立包裝的 CPU 與散熱器/風扇，請參閱散熱器/風扇包裝內的文件，以了解詳細的安裝方式。
- 本主機板雖設計為可支援超頻，但在進行超頻之前，請確認系統的其他零組件可承受超頻設定。不建議進行任何超出本產品規格以外的操作，MSI® 亦無法保證此類操作所可能造成的損壞及風險。



## 記憶體插槽



## 記憶體模組安裝建議



### ⚠ 重要

- 安裝記憶體時，請務必由 DIMMA2 插槽開始安裝。
- 因晶片資源的配置，可用的記憶體容量將略少於您安裝至主機板上的記憶體總容量。
- 因處理器規格限制，為保護處理器，建議使用電壓為 1.35V 以下的記憶體模組。
- 記憶體頻率是依照其 Serial Presence Detect (SPD) 運作。在超頻過程中，部分記憶體模組，可能會比其標示頻率低的數值運作；如果您希望記憶體模組以符合其標示頻率或更高的頻率運作，請進入 BIOS 選單並找到 **DRAM Frequency!** 項目設定。
- 若要在主機板的所有記憶體插槽全數裝上記憶體模組，或是要進行超頻時，建議您使用更高效的記憶體散熱系統。
- 超頻時，記憶體模組之穩定性與相容性，將取決於您所安裝的 CPU 及裝置。
- 由於 AM4 處理器/記憶體控制器的官方規格限制，在預設狀態下，記憶體模組可能會以比其標示數值更低的頻率運作。請連結 [www.msi.com](http://www.msi.com) 以查閱相容記憶體的資訊。

## PCI\_E1~5: PCIe 擴充插槽

插槽	第三代 AMD Ryzen™	第二代 AMD Ryzen™	搭載 Radeon™ Vega 顯示晶片的 Ryzen™ 及搭載 Radeon™ 顯示晶片的第二代 AMD Ryzen™
PCI_E1	PCIe 4.0 x16	PCIe 3.0 x16	PCIe 3.0 x8
PCI_E2	PCIe 4.0 x1	PCIe 3.0 x1	PCIe 3.0 x1
PCI_E3	PCIe 4.0 x8	PCIe 3.0 x8	不可用
PCI_E4	PCIe 4.0 x1	PCIe 3.0 x1	PCIe 3.0 x1
PCI_E5	PCIe 4.0 x4	PCIe 3.0 x4	PCIe 3.0 x4



### 重要

- 若您安裝的是較大且重的顯示卡，需使用 **MSI Gaming Series 顯卡支撐架** 之類的工具，以支撐其重量並防止插槽變形。
- 如只安裝一張 PCIe x16 擴充卡，建議安裝到 **PCI\_E1** 插槽，以獲得最佳效能。
- 新增或移除擴充卡時，請確認已關機並拔除電源線。請詳讀擴充卡說明文件，以了解所需變更的軟硬體設定。
- 本機種的兩個 PCIe x1 插槽無法同時使用，當有 PCIe 擴充卡安裝至 PCI\_E4 插槽時，PCI\_E2 將無法運作。

## PCIe 頻寬表

請參照以下表格安裝 PCIe 裝置。

### 使用第三代 AMD Ryzen™

插槽	單一張		2-Way		3-Way*	
PCI_E1 (CPU)	@4.0 x16		@4.0 x8		@4.0 x8	
PCI_E2 (PCH)	4.0 x1	—	4.0 x1	—	4.0 x1	—
PCI_E3 (CPU)	—		@4.0 x8		@4.0 x8	
PCI_E4 (PCH)	—	4.0 x1	—	4.0 x1	—	4.0 x1
PCI_E5 (PCH)	4.0 x4		4.0 x4		@4.0 x4	

(—: 不可用, @: 顯示卡, \*: 僅支援 CrossFire)

## 使用第二代 AMD Ryzen™

插槽	單一張		2-Way		3-Way*	
PCI_E1 (CPU)	@3.0 x16		@3.0 x8		@3.0 x8	
PCI_E2 (PCH)	3.0 x1	—	3.0 x1	—	3.0 x1	—
PCI_E3 (CPU)	—		@3.0 x8		@3.0 x8	
PCI_E4 (PCH)	—	3.0 x1	—	3.0 x1	—	3.0 x1
PCI_E5 (PCH)	3.0 x4		3.0 x4		@3.0 x4	

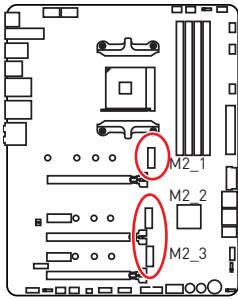
(—: 不可用, @: 顯示卡, \*: 僅支援 CrossFire)

## 使用搭載 Radeon™ Vega 顯示晶片的 Ryzen™ 及 搭載 Radeon™ 顯示晶片的第二代 AMD Ryzen™

插槽	單一張		2-Way*	
PCI_E1 (CPU)	@3.0 x8		@3.0 x8	
PCI_E2 (PCH)	3.0 x1	—	3.0 x1	—
PCI_E3 (CPU)	—		—	
PCI_E4 (PCH)	—	3.0 x1	—	3.0 x1
PCI_E5 (PCH)	3.0 x4		@3.0 x4	

(—: 不可用, @: 顯示卡, \*: 僅支援 CrossFire)

## M2\_1~3: M.2 插槽 (M 鍵)

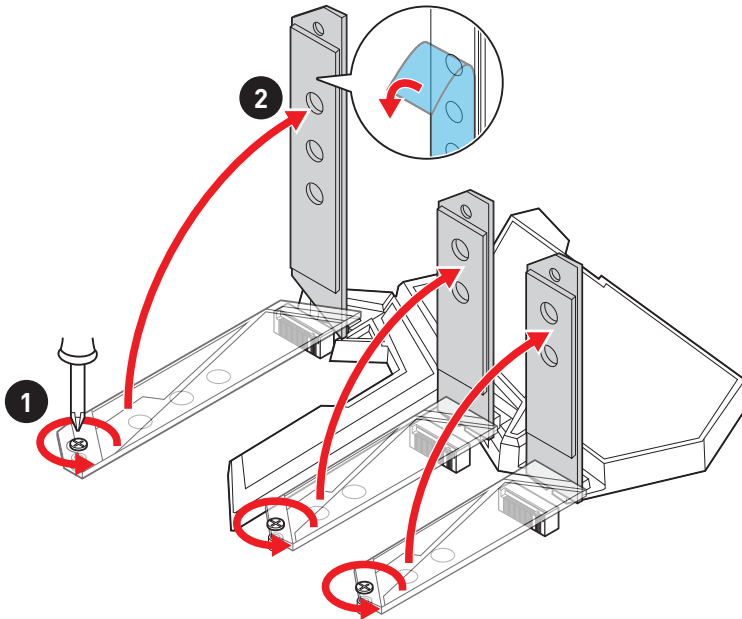


以下表格表示安裝各系列處理器時，M.2 插槽與 PCIe 頻寬的關係

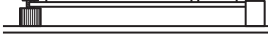
插槽	第三代 AMD Ryzen™	第二代 AMD Ryzen™	搭載 Radeon™ Vega 顯示晶片的 Ryzen™ 及搭載 Radeon™ 顯示晶片的第二代 AMD Ryzen™
M2_1	PCIe 4.0 x4	PCIe 3.0 x4	PCIe 3.0 x4
M2_2	PCIe 4.0 x4	PCIe 3.0 x4	PCIe 3.0 x4
M2_3	PCIe 4.0 x4	PCIe 3.0 x4	PCIe 3.0 x4

### 安裝 M.2 SSD 模組

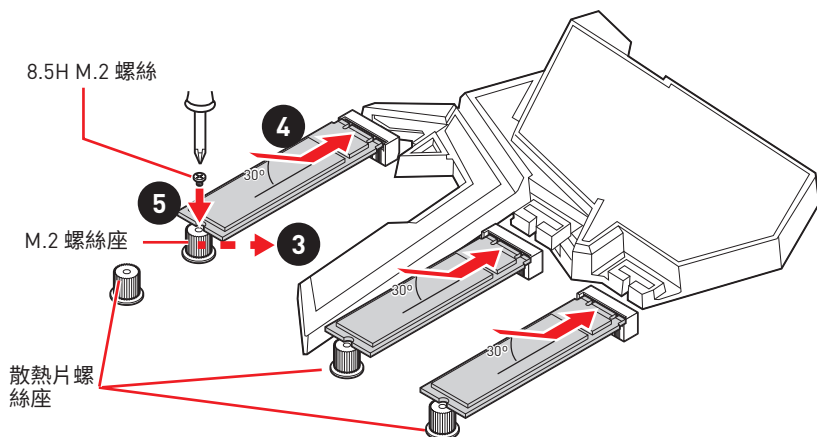
1. 將 M.2 SHIELD FROZR 散熱片的螺絲取下。
2. 掀起 M.2 SHIELD FROZR 散熱片，並取下導熱墊上的保護膠片。



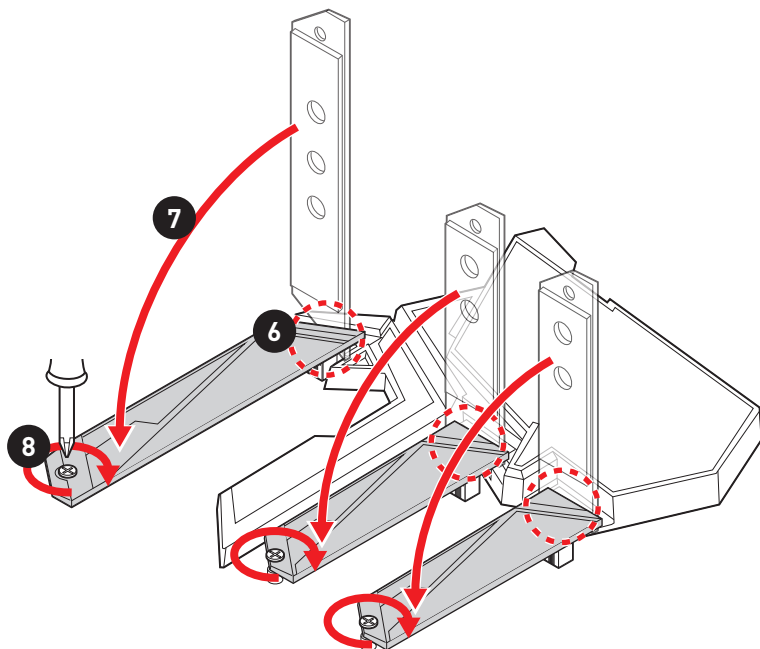
3. 請依 M.2 SSD 的長度將 M.2 螺柱移動並鎖定到適當位置。請確認 M.2 SSD 裝置下方沒有多餘的 M.2 螺柱，以免其螺柱損壞到 M.2 SSD 裝置。



- 將 M.2 SSD 以 30 度角插入 M.2 插槽。
- 如果您的 M.2 SSD 比 M.2 SHIELD FROZR 散熱片短，請將 M.2 SSD 以 8.5H M.2 螺絲鎖上。如果 M.2 SSD 的長度與 M.2 SHIELD FROZR 散熱片一樣長，請略過此步驟。

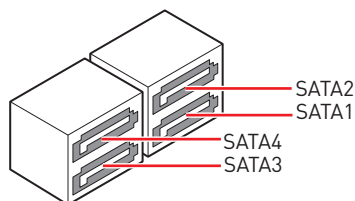
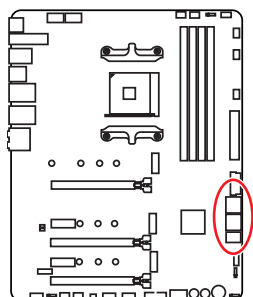


- 將 M.2 SHIELD FROZR 散熱片的卡榫放入溝槽中。
- 將 M.2 SHIELD FROZR 散熱片放回原位。
- 將 M.2 SHIELD FROZR 散熱片鎖到散熱片螺絲座上。



## SATA1~4: SATA 6Gb/s 插孔

這些插孔是 SATA 6Gb/s 介面連接埠。每個插孔皆可連接一個 SATA 裝置。

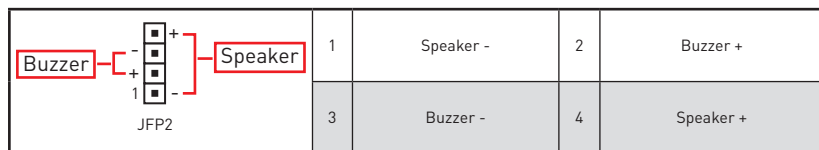
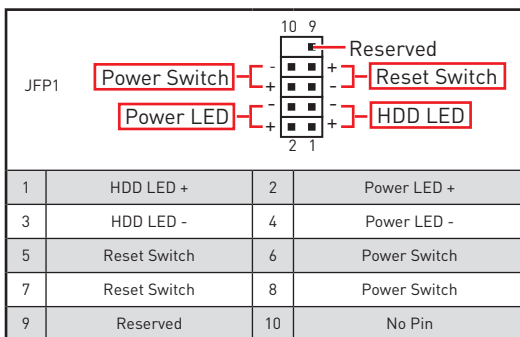
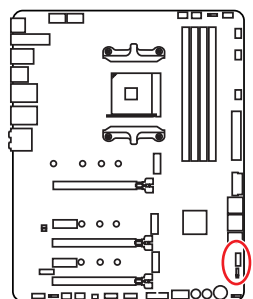


**重要**

- SATA 排線不可摺疊超過 90 度，以免傳輸資料時產生錯誤。
- SATA 排線兩端接頭外觀相似，建議將平頭端接到主機板，以節省空間。

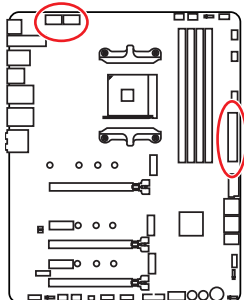
## JFP1, JFP2: 系統面板接頭

這些接頭用於連接前面板的開關和 LED 指示燈。



## CPU\_PWR1~2, ATX\_PWR1: 電源接頭

這些接頭能讓您連接 ATX 電源供應器。



1	Ground	5	+12V
2	Ground	6	+12V
3	Ground	7	+12V
4	Ground	8	+12V

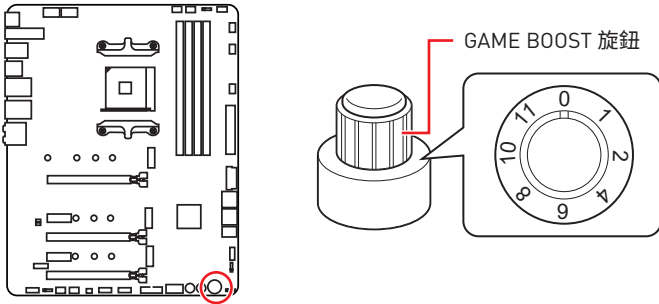
1	+3.3V	13	+3.3V
2	+3.3V	14	-12V
3	Ground	15	Ground
4	+5V	16	PS-ON#
5	Ground	17	Ground
6	+5V	18	Ground
7	Ground	19	Ground
8	PWR OK	20	Res
9	5VSB	21	+5V
10	+12V	22	+5V
11	+12V	23	+5V
12	+3.3V	24	Ground



請確認所有電源線皆已穩固連接到正確的 ATX 電源供應器，確保主機板穩定操作。

## OC1: GAME BOOST 旋鈕

此旋鈕可讓您手動選取 0 (預設值) 到 11 (最高值) 等級,來對處理器進行超頻。設定後,在電腦電源開啟後,處理器的電壓與頻率會自動調整。本功能僅在安裝的處理器提供支援時才可使用。



### 使用 GAME BOOST 旋鈕

請依照下列步驟來設定 GAME BOOST 旋鈕:

1. 在「BIOS 設定」中將 GAME BOOST 旋鈕設為硬體模式。
2. 關閉電腦。
3. 旋轉 GAME BOOST 旋鈕,以選取您所需的超頻等級。

等級	CPU 頻率 (GHz)					
	Ryzen 7		Ryzen 5			Ryzen 3
	2700X	2700	2600X	2600	2400G	2200G
0	3.7	3.2	3.6	3.4	3.6	3.2
1	4.1	3.6	4	3.8	3.8	3.6
2	4.15	3.65	4.05	3.85	3.85	3.65
4	4.2	3.7	4.1	3.9	3.9	3.7
6	4.25	3.75	4.15	3.95	3.95	3.75
8	4.3	3.8	4.2	4	4	3.8
10	4.35	3.85	4.25	4.05	4.05	3.85
11	4.4	3.9	4.3	4.1	4.1	3.9

4. 開啟電源,GAME BOOST 會根據您選取的等級,自動對處理器進行超頻。

若要停用 GAME BOOST:

1. 在「BIOS 設定」中將 GAME BOOST 旋鈕設為硬體模式。
2. 關閉電腦。
3. 旋轉 GAME BOOST 旋鈕到 0 的位置,然後開機組態參數將回復成預設值。

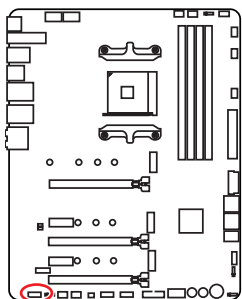


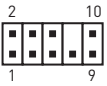
## 重要

- 您也可以**在 BIOS 設定介面或透過 MSI DRAGON CENTER 軟體控制 GAME BOOST 功能。**
- 為了達到最佳效能和改善系統穩定性，在啟用 GAME BOOST 功能時，請勿變更 **BIOS > OC** 功能表中的設定。
- 超頻成功與否，取決於電腦的元件。
- 對於 GAME BOOST 的超頻範圍以及超頻行為造成的損壞/風險，我們概不擔保。
- 使用 GAME BOOST 功能時，建議搭配 MSI 元件以達到最佳的相容性。

## JAUD1: 前置音效插孔

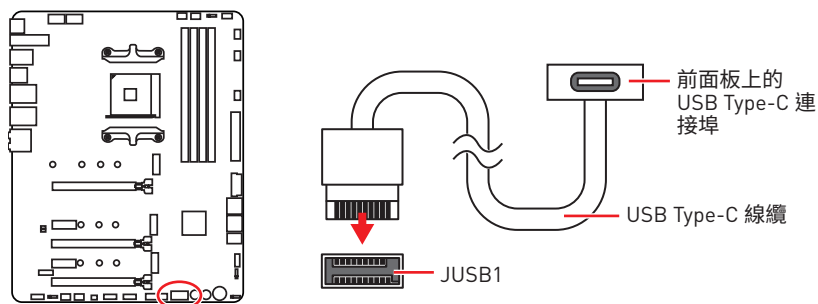
本插孔用於連接前面板的音訊插孔。



			
1	MIC L	2	Ground
3	MIC R	4	NC
5	Head Phone R	6	MIC Detection
7	SENSE_SEND	8	No Pin
9	Head Phone L	10	Head Phone Detection

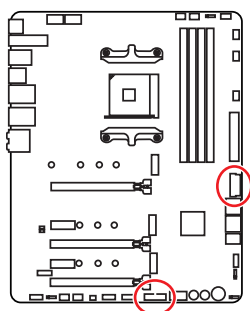
## JUSB1: USB 3.2 Gen 2 Type-C 接頭

這個接頭可供連接前面板上的 USB 3.2 Gen2 Type-C 接頭，這個接頭具有防呆設計，請務必以相應的方向連接線纜。



## JUSB2~3: USB 3.2 Gen1 接頭

此接頭用於連接前面板的 USB 3.2 Gen1 連接埠。



JUSB3		JUSB2	
10	11	1	10
1	20	20	11
1	Power	11	USB2.0+
2	USB3_RX_DN	12	USB2.0-
3	USB3_RX_DP	13	Ground
4	Ground	14	USB3_TX_C_DP
5	USB3_TX_C_DN	15	USB3_TX_C_DN
6	USB3_TX_C_DP	16	Ground
7	Ground	17	USB3_RX_DP
8	USB2.0-	18	USB3_RX_DN
9	USB2.0+	19	Power
10	NC	20	No Pin

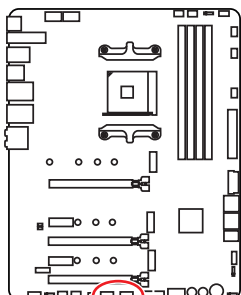


**重要**

請注意，電源和接地針腳必須正確連接，以免造成組件受損。

## JUSB4~5: USB 2.0 接頭

這些接頭用於連接前面板的 USB 2.0 連接埠。



1	VCC	2	VCC
3	USB0-	4	USB1-
5	USB0+	6	USB1+
7	Ground	8	Ground
9	No Pin	10	NC

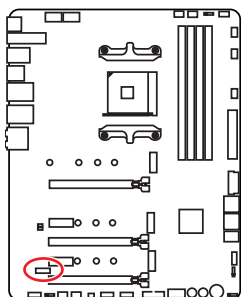


**重要**

- 請注意，電源和接地針腳必須正確連接，以免造成組件受損。
- 如要以此 USB 連接埠對 iPad、iPhone 及 iPod 充電，請安裝 MSI® DRAGON CENTER 工具軟體。

## JTPM1: TPM 模組接頭

此接頭用於連接可信賴平台模組 (TPM)。請參閱 TPM 安全平台手冊瞭解更多詳情。

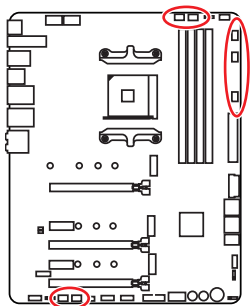


1	LPC Clock	2	3V Standby power
3	LPC Reset	4	3.3V Power
5	LPC address & data pin0	6	Serial IRQ
7	LPC address & data pin1	8	5V Power
9	LPC address & data pin2	10	No Pin
11	LPC address & data pin3	12	Ground
13	LPC Frame	14	Ground

## CPU\_FAN1, PUMP\_FAN1, SYS\_FAN1~5: 風扇電源接頭

風扇電源接頭可分為脈寬調變 (PWM) 模式和 DC 模式。PWM 模式風扇插孔提供恆定 12V 輸出，並可透過速度控制訊號調整風扇速度。DC 模式插孔會變更電壓，藉此控制風扇速度。您可以按照以下說明將風扇電源接頭調整為 PWM 或 DC 模式。

### 預設 PWM 模式風扇電源接頭



CPU\_FAN1 / PUMP\_FAN1

### 預設 DC 模式風扇電源接頭



SYS\_FAN1 & 3



SYS\_FAN2, 4 & 5

## 切換風扇模式並調整風扇速度

您可以在 BIOS > **HARDWARE MONITOR** 中切換 PWM 模式和 DC 模式，與調整風扇速度。

### 選擇 PWM 模式或 DC 模式



風扇速度的漸變點，允許您根據 CPU 溫度調整風扇速度。



**重要**

在切換 PWM/ DC 模式後，請確保風扇工作正常。

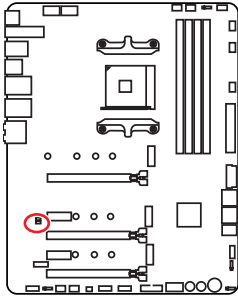
## 風扇接頭的針腳定義

PWM 模式針腳定義			
1	Ground	2	+12V
3	Sense	4	Speed Control Signal

DC 模式針腳定義			
1	Ground	2	Voltage Control
3	Sense	4	NC

## JCI1: 機殼開啟接頭

此接頭可連接機殼開啟開關排線。



  
一般  
(預設值)

  
觸動機殼開啟事件

### 使用機殼開啟偵測器

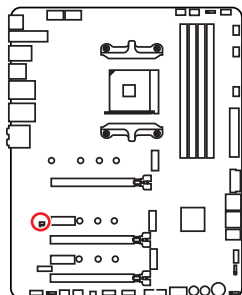
1. 連接 JCI1 插孔和機殼上的機殼開啟開關／感測器。
2. 關閉機殼蓋。
3. 前往 **BIOS > SETTINGS > Security > Chassis Intrusion Configuration**。
4. 將 **Chassis Intrusion** 設定為 **Enabled**。
5. 按下 **F10** 儲存並離開，然後按 **Enter** 鍵選擇 **Yes**。
6. 之後若機殼蓋再次被開啟，電腦啟動後畫面上即會出現警告訊息。

### 重設機殼開啟警告

1. 前往 **BIOS > SETTINGS > Security > Chassis Intrusion Configuration**。
2. 將 **Chassis Intrusion** 設定為 **Reset**。
3. 按下 **F10** 儲存並離開，然後按下 **Enter** 鍵選擇 **Yes**。

## JBAT1: 清除 CMOS (重置 BIOS) 功能跳線

主機板內建 CMOS 記憶體，是利用主機板上的外接電池來保留系統設定。若要清除系統設定，請使用跳線來清除 CMOS 記憶體。



保留資料  
(預設值)



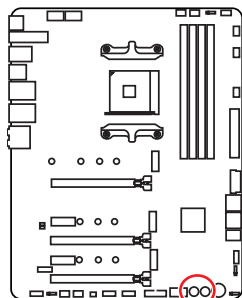
清除 CMOS/  
重置 BIOS

### 重設 BIOS 為預設值

1. 關閉電腦電源並拔除電源線。
2. 使用跳線讓 JBAT1 短路持續約 5-10 秒。
3. 將跳線從 JBAT1 上取下。
4. 插上電源線並開啟電腦電源。

## POWER1, RESET1: 電源按鈕、重新開機按鈕

電源按鈕/重新開機按鈕用來開啟電腦電源或重新開機。



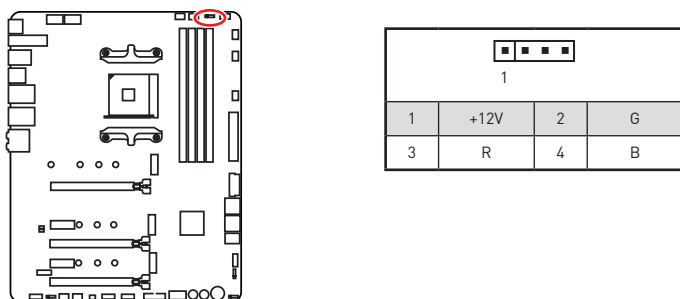
電源按鈕



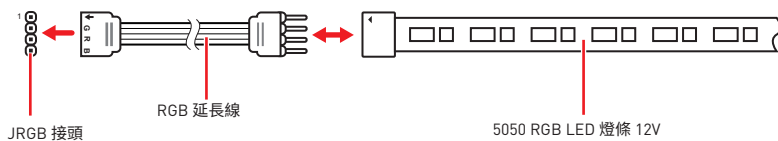
重新開機按鈕

## JRGB1: RGB LED 接頭

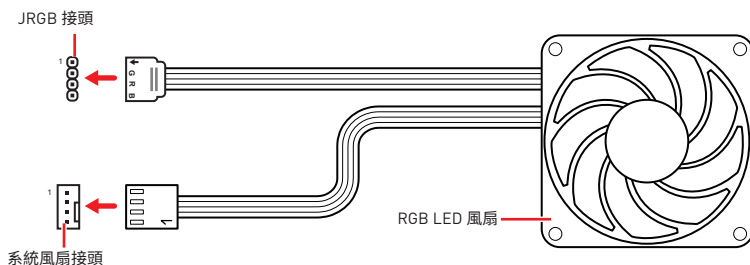
JRGB 接頭可用於連接 5050 RGB LED 燈條 12V。



### RGB LED 燈條連接示意圖



### RGB LED 風扇連接示意圖

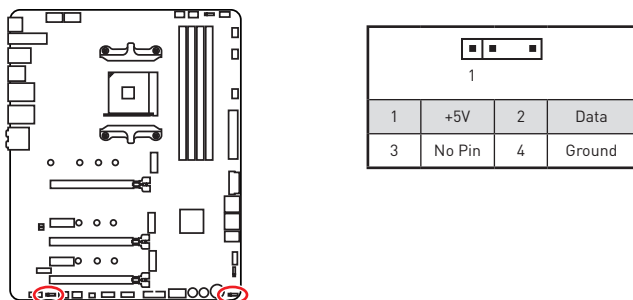


### ⚠ 重要

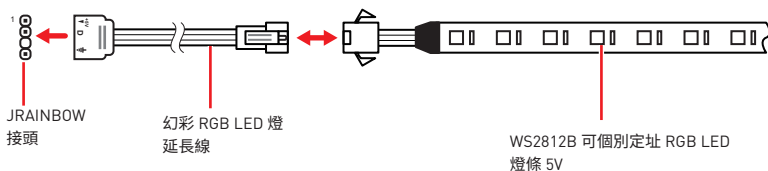
- JRGB 接頭支援最長 2 公尺的 5050 RGB LED 燈條 (12V/G/R/B)，最大額定功率為 3A (12V)。
- 進行安裝或拔除 RGB LED 燈條前，請先關閉電源供應器，並將電源線由電源插座移除。
- 請使用 MSI 軟體來控制擴展的 LED 燈條。

## JRAINBOW1~2: 可定址 RGB LED 接頭

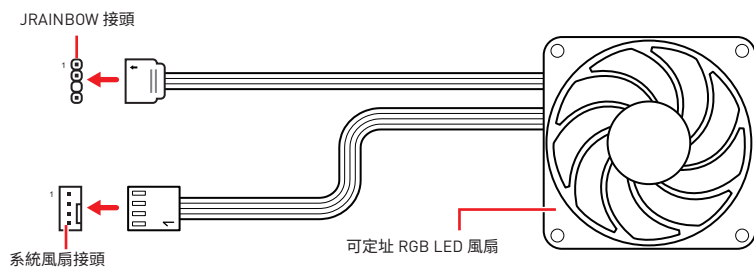
JRAINBOW 接頭允許您連接 WS2812B 可定址 RGB LED 燈條 5V。



### 可定址 RGB LED 燈條連接示意圖



### 可定址 RGB LED 風扇連接示意圖



### 警告

請勿連接錯誤類型的 LED 燈條。JRGB 接頭和 JRAINBOW 接頭提供不同的電壓，如誤將 5V LED 燈條連接到 JRGB 接頭，將會造成此 LED 燈條損壞。

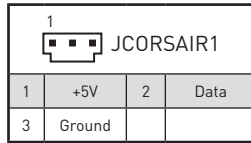
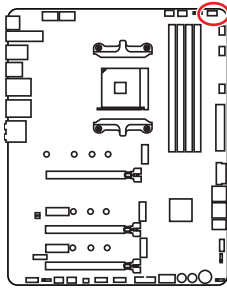
### 重要

- JRAINBOW 接頭最多可支援 75 個 LED WS2812B 可個別定址 RGB LED 燈條 (5V/Data/Ground)，最大額定功率為 3A (5V)。如全部使用 20% 亮度，此接頭支援的 LED 燈條上限則可達 200 個。
- 進行安裝或拔除 RGB LED 燈條前，請先關閉電源供應器，並將電源線由電源插座移除。
- 請使用 MSI 軟體來控制擴展的 LED 燈條。

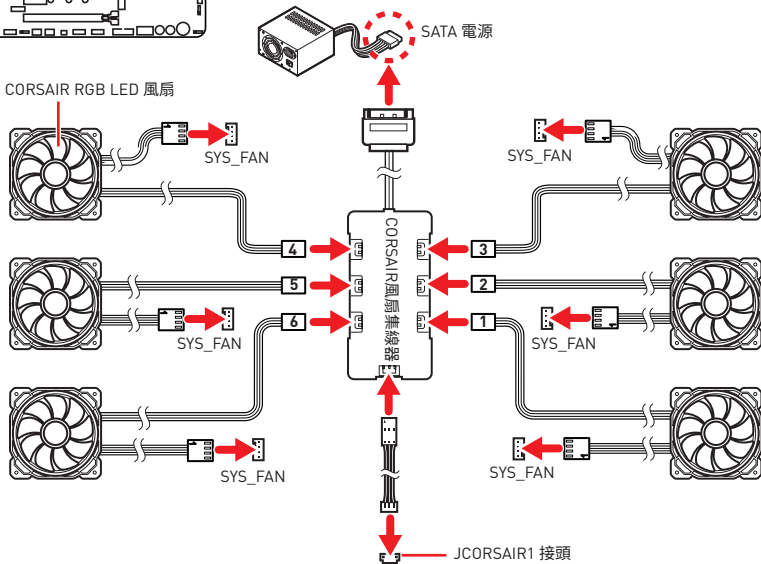


## JCORSAIR1: CORSAIR 接頭

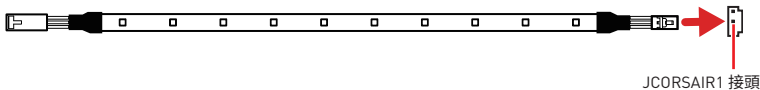
JCORSAIR1 接頭可用來將 CORSAIR 個別可定址 Lighting PRO RGB LED 燈條 (5V) 或 CORSAIR RGB LED 風扇連接至 CORSAIR 風扇集線器。所有項目連接妥當後，您可透過 MSI 軟體控制 CORSAIR RGB LED 燈條與風扇。



### CORSAIR RGB 風扇連接示意圖



### CORSAIR Lighting Node PRO 連接示意圖



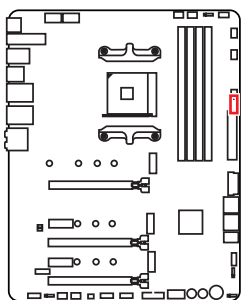
#### 重要

- 風扇必須從 1 開始依序連接。1 > 2 > 3 > 4 > 5 > 6。序列中若有風扇未連接，則會中斷通訊，導致 RGB LED 指示燈功能無法運作。
- 所支援的 RGB LED Fan 或 RGB LED Lighting PRO 燈條數量依型號而異。請參閱主機板規格。
- RGB LED 風扇與 CORSAIR Lighting Node PRO 不能同時使用。

# 內建 LED 指示燈

## EZ 偵錯 LED 指示燈

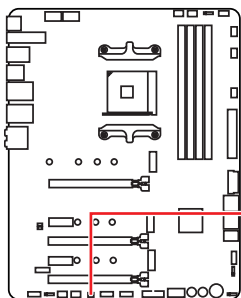
這些 LED 指示燈會表示主機板的偵錯狀態。



- CPU - 表示未偵測到 CPU 或已故障。
- DRAM - 表示未偵測到記憶體或已故障。
- VGA - 表示未偵測到顯示晶片或已故障。
- BOOT - 表示未偵測到開機裝置或已故障。

## JPWRLED1: LED 電源輸入

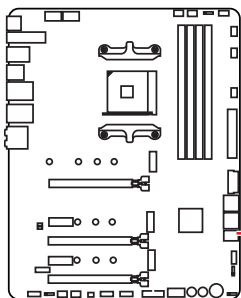
此接頭可供零售商用於示範主機 LED 指示燈的效果。



JPWRLED1 - LED 電源輸入

## 除錯碼 LED

除錯碼 LED 會在 POST 期間及之後顯示進度與錯誤碼。詳細資料請參閱「除錯碼 LED」表。



除錯碼 LED

## 十六進位字元表

十六進位	0	1	2	3	4	5	6	7	8	9	A	B	C	D	E	F
除錯碼 LED 燈號	0	1	2	3	4	5	6	7	8	9	A	b	c	d	e	F

### 開機階段

**Security (SEC)** – 前期低階初始化

**Pre-EFI Initialization (PEI)** – 記憶體初始化

**Driver Execution Environment (DXE)** – 主要硬體初始化

**Boot Device Selection (BDS)** – 系統設定、作業系統前使用者介面、可開機裝置 (CD/DVD、HDD、USB、網路、Shell...)

### 除錯碼 LED 表

#### SEC 進度碼

01	開啟電源、重設類型偵測 (柔性/硬性)
02	載入微碼前初始化 AP
03	載入微碼前初始化系統代理程式
04	載入微碼前初始化 PCH
06	載入微碼
07	載入微碼後初始化 AP
08	載入微碼後初始化系統代理程式
09	載入微碼後初始化 PCH
0B	快取初始化

#### SEC 錯誤碼

0C - 0D	保留供未來 AMI SEC 錯誤碼使用
0E	找不到微碼
0F	微碼未載入

#### PEI 進度碼

10	PEI Core 已開始
11	Pre-memory CPU 初始化已開始
12 - 14	Pre-memory CPU 初始化 (CPU 模組特定)
15	Pre-memory 系統代理程式初始化已開始
16 - 18	Pre-Memory 系統代理程式初始化 (系統代理程式模組特定)
19	Pre-memory PCH 初始化已開始
1A - 1C	Pre-memory PCH 初始化 (PCH 模組特定)
2B	記憶體初始化、Serial Presence Detect (SPD) 資料讀取

2C	記憶體初始化。記憶體存在狀態偵測
2D	記憶體初始化。編程記憶體時序資訊
2E	記憶體初始化。設定記憶體
2F	記憶體初始化 (其他)
31	記憶體已安裝
32	CPU 自檢記憶體 (post-memory) 初始化已開始
33	CPU 自檢記憶體初始化。快取初始化
34	CPU 自檢記憶體初始化。應用程式處理器 (AP) 初始化
35	CPU 自檢記憶體初始化。啟動程式處理器 (Boot Strap Processor/BSP) 選擇
36	CPU 自檢記憶體初始化。System Management Mode (SMM) 初始化
37	自檢記憶體系統代理程式初始化已開始
38 - 3A	自檢記憶體系統代理程式初始化 (系統代理程式模組限定)
3B	自檢記憶體 PCH 初始化已開始
3C - 3E	自檢記憶體 PCH 初始化 (PCH 模組限定)
4F	DXE IPL 已開始

## PEI 錯誤碼

4B	記憶體未安裝 (使用 Summit CPU 時)
E0	記憶體未安裝 (使用 Bristol CPU 時)

## DXE 進度碼

60	DXE Core 已開始
61	NVRAM 初始化
62	安裝 PCH 執行階段服務
63	CPU DXE 初始化已開始
64 - 67	CPU DXE 初始化 (CPU 模組特定)
68	PCI 主機橋接器初始化
69	系統代理程式 DXE 初始化已開始
6A	系統代理程式 DXE SMM 初始化已開始
6B - 6F	系統代理程式 DXE 初始化 (系統代理程式模組特定)
70	PCH DXE 初始化已開始
71	PCH DXE SMM 初始化已開始
72	PCH 裝置初始化
73 - 77	PCH DXE 初始化 (PCH 模組特定)
78	ACPI 模組初始化
79	CSM 初始化
7A - 7F	保留供未來 AMI DXE 碼使用
90	Boot Device Selection (BDS) 階段已開始
91	驅動程式連接已開始
92	PCI 匯流排初始化已開始

93	PCI 匯流排熱插拔控制器初始化
94	PCI 匯流排列舉 32
95	PCI 匯流排要求資源
96	PCI 匯流排指派資源
97	主控台輸出裝置連接
98	主控台輸入裝置連接
99	超級 IO 初始化
9A	USB 初始化已開始
9B	USB 重設
9C	USB 偵測
9D	USB 啟用
9E -9F	保留供未來 AMI 碼使用
A0	IDE 初始化已開始
A1	IDE 重設
A2	IDE 偵測
A3	IDE 啟用
A4	SCSI 初始化已開始
A5	SCSI 重設
A6	SCSI 偵測
A7	SCSI 啟用
A8	設定驗證密碼
A9	開始設定
AB	設定輸入等待
AD	開機就緒事件
AE	傳統開機事件
AF	結束開機服務事件
B0	執行階段設定虛擬位址 MAP 開始
B1	執行階段設定虛擬位址 MAP 結束
B2	傳統選項 ROM 初始化
B3	系統重設
B4	USB 熱插拔
B5	PCI 匯流排熱插拔
B6	清理 NVRAM
B7	組態重設 (重設 NVRAM 設定)
B8 - BF	保留供未來 AMI 碼使用

## DXE 錯誤碼

D0	CPU 初始化錯誤
D1	系統代理程式初始化錯誤
D2	PCH 初始化錯誤

D3	某些架構通訊協定無法使用
D4	PCI 資源配置錯誤。資源不足
D5	無傳統選項 ROM 空間
D6	找不到主控台輸出裝置
D7	找不到主控台輸入裝置
D8	無效的密碼
D9	載入開機選項時發生錯誤 (LoadImage 傳回錯誤)
DA	開機選項失敗 (StartImage 傳回錯誤)
DB	快閃日期失敗
DC	無法重設通訊協定

### S3 恢復進度碼

E0	S3 恢復已開始 (S3 恢復 PPI 由 DXE IPL 呼叫)
E1	S3 開機指令碼執行
E2	影片轉貼
E3	OS S3 喚醒向量呼叫
E4 - E7	保留供未來 AMI 進度碼使用

### S3 恢復錯誤碼

E8	S3 恢復失敗
E9	找不到 S3 恢復 PPI
EA	S3 恢復開機指令碼錯誤
EB	S3 作業系統喚醒錯誤
EC - EF	保留供未來 AMI 錯誤碼使用

### 復原進度碼

F0	韌體觸發的復原條件 (自動復原)
F1	使用者觸發的復原條件 (強制復原)
F2	復原程序已開始
F3	發現復原韌體映像
F4	載入復原韌體映像
F5 - F7	保留供未來 AMI 進度碼使用

### 復原錯誤碼

F8	復原 PPI 無法使用
F9	找不到復原封裝
FA	無效的復原封裝
FB - FF	保留供未來 AMI 錯誤碼使用

## ACPI 狀態碼

開機且作業系統進入 ACPI 模式後，會顯示以下程式碼。

01	系統進入 S1 睡眠狀態
02	系統進入 S2 睡眠狀態
03	系統進入 S3 睡眠狀態
04	系統進入 S4 睡眠狀態
05	系統進入 S5 睡眠狀態
10	系統正從 S1 睡眠狀態喚醒
20	系統正從 S2 睡眠狀態喚醒
30	系統正從 S3 睡眠狀態喚醒
40	系統正從 S4 睡眠狀態喚醒
AC	系統已轉換成 ACPI 模式。插斷控制器為 PIC 模式。
AA	系統已轉換成 ACPI 模式。插斷控制器為 APIC 模式。

# 安裝作業系統、驅動程式，及工具軟體

請至 [www.msi.com](http://www.msi.com) 下載與更新最新版的工具軟體與驅動程式。

## 安裝 Windows® 10

1. 啟動電腦。
2. 將含有 Windows® 10 的光碟片或 USB 裝置放入電腦。
3. 按電腦機殼上的**重新啟動**按鈕。
4. 在電腦開機自我測試 (POST) 期間，按 **F11** 鍵進入開機功能表。
5. 在開機功能表中選擇 Windows® 10 安裝磁碟 /USB。
6. 畫面顯示 **Press any key to boot from CD or DVD...** 訊息時，按任意鍵。
7. 依照畫面指示，安裝 Windows® 10。

## 安裝驅動程式

1. 啟動電腦進入 Windows® 10。
2. 將 MSI® 驅動程式光碟放到光碟機。
3. 按一下**選擇要針對此光碟執行的動作**的彈出通知，然後選擇執行 **DVDSetup.exe** 以打開安裝程式。如果從 Windows 設定面板關閉自動播放功能，仍然可以從 MSI 驅動程式光碟的根路徑手動執行 **DVDSetup.exe**。
4. 安裝程式將在**驅動程式 / 應用軟體**頁面中尋找並列出所有必要的驅動程式。
5. 按一下視窗右下角的**安裝**按鈕。
6. 接著會開始進行驅動程式安裝，完成之後會要求您重新啟動電腦。
7. 按一下**確定**按鈕完成安裝。
8. 重新啟動電腦。

## 安裝工具軟體

安裝應用程式前，務必完成驅動程式安裝。

1. 如上所述打開安裝程式。
2. 按一下**應用程式**標籤。
3. 選擇您要安裝的應用程式。
4. 按一下視窗右下角的**安裝**按鈕。
5. 接著會開始進行應用程式安裝，完成之後會要求您重新啟動電腦。
6. 按一下**確定**按鈕完成安裝。
7. 重新啟動電腦。



# BIOS 設定

預設值提供最佳效能，可在一般情況下達到系統穩定度。除非您熟悉 BIOS 設定，否則請務必使用預設值，以免系統受損或開機失敗。



- BIOS 項目會持續更新達到更優異的系統效能。因此，說明內容可能會與最新的 BIOS 稍微不同，因此僅供參考。您亦可參閱 **HELP** 取得 BIOS 項目說明。
- 本章節圖片僅供參考，可能與您所購買的產品有所不同。
- BIOS 項目會因安裝的處理器不同而有差異。

## 進入 BIOS 設定

開機過程中畫面出現按 **Delete** 鍵進入設定功能表，按 **F11** 進入開機功能表時，按 **Delete** 鍵進入設定功能表。

### 功能鍵

- F1:** 一般說明
- F2:** 添加/刪除我的最愛項目
- F3:** 進入我的最愛功能表
- F4:** 進入 CPU 規格功能表
- F5:** 進入 Memory-Z 功能表
- F6:** 載入最佳化預設值
- F7:** 切換進階模式和 EZ 模式
- F8:** 載入超頻設定檔
- F9:** 儲存超頻設定檔
- F10:** 儲存變更與重設
- F12:** 拍攝螢幕截圖並儲存到 USB 隨身碟 (僅限 FAT/ FAT32 格式)
- Ctrl+F:** 進入搜索頁面

\* 按下 F10 後，會出現確認視窗並列出修改資訊。請選擇是或否進行確認。

## 重設 BIOS

某些情況下，您可能需要將 BIOS 復原為出廠預設值，以解決某些問題。以下幾種方法可重設 BIOS：

- 進入 BIOS，然後按 F6 以載入最佳化預設值。
- 跨接主機板上的清除 CMOS 功能跳線。



在清除 CMOS 資料之前，請確定電腦已關機。請參閱清除 CMOS 跳線部分的章節來重設 BIOS。

## 更新 BIOS

### 以 M-FLASH 更新 BIOS

更新前準備：

請從 MSI 網站下載符合您主機板型號的最新 BIOS 檔案。然後將 BIOS 檔案存到 USB 隨身碟。

進行更新 BIOS：

1. 在 POST 期間按住 Del 按鍵進入 BIOS。
2. 將內含更新檔的 USB 隨身碟插入電腦。
3. 按一下 **M-FLASH** 標籤並按 **Yes** 以重新啟動系統並進入更新模式。
4. 選取一個 BIOS 檔案，以進行 BIOS 更新。
5. BIOS 更新進度 100% 完成後，系統會自動重新啟動。

### 以 MSI DRAGON CENTER 更新 BIOS

更新前準備：

請先確認網路卡驅動程式已安裝完畢，且網際網路連線已設定正確。

進行更新 BIOS：

1. 安裝並開啟 MSI DRAGON CENTER。
2. 選取 **BIOS Update** (BIOS 更新)。
3. 按一下 **Scan** (掃描) 按鈕。
4. 按一下 **Download** (下載) 圖示，下載並安裝最新的 BIOS 檔案。
5. 按一下 **Next** (下一步)，然後選擇 **In Windows mode** (Windows 模式)。接著按一下 **Next** (下一步) 及 **Start** (開始)，就會開始更新 BIOS。
6. BIOS 更新進度 100% 完成後，系統會自動重新啟動。

## 以 Flash BIOS 按鈕更新 BIOS

更新前準備：

請從 MSI 網站下載符合您主機板型號的最新 BIOS 檔案。然後將 BIOS 檔案重新命名為 **MSI.ROM**。然後將 **MSI.ROM** 檔案存到 USB 隨身碟的根目錄。

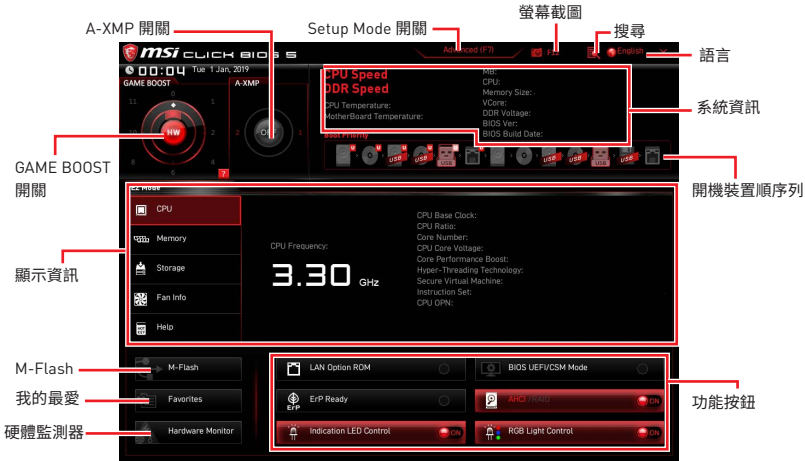


僅 FAT32 格式的 USB 隨身碟可支援使用 **Flash BIOS 按鈕** 更新 BIOS。

1. 將電源供應器連接至 **CPU\_PWR1** 與 **ATX\_PWR1**。(除了電源供應器外，不需要其他元件。)
2. 將包含 MSI.ROM 檔案的 USB 隨身碟插入背板 I/O 上的 **Flash BIOS** 連接埠。
3. 按下 **Flash BIOS** 按鈕，以對 BIOS 進行更新，此時按鈕上的 LED 指示燈會開始閃爍。
4. BIOS 更新進度 100% 完成後，LED 指示燈會同時關閉。

## EZ 模式

EZ 模式會提供基本的系統資訊，可進行基本設定。若要配置進階 BIOS 設定，請按設定模式開關或 F7 功能鍵進入進階模式。



● **GAME Boost 開關 (選擇性配置)** - 按一下中間按鈕，即可在軟體 (SW) 與硬體 (HW) 之間切換 GAME BOOST。內圈代表硬體 GAME BOOST 的目前階段，外圈代表軟體的狀態。按一下右下角的問號圖示，即可查閱 GAME BOOST 的 CPU 頻率。安裝的處理器需有支援本功能，本功能才可使用。



**重要**

啟動 **GAME BOOST** 功能後，請勿對 OC 功能表進行任何變更，也不要載入預設值，以保持最佳效能與系統穩定性。

● **A-XMP 開關 (選擇性配置)** - 按一下內圈以啟用/停用 A-XMP (極限記憶體設定檔)。如有記憶體設定檔，可以外圈切換。安裝的處理器與記憶體需有支援 A-XMP 功能，本開關才可使用。

● **設定模式開關** - 按此標籤或 F7 鍵，切換進階模式和 EZ 模式。

● **螢幕截圖** - 按此標籤或 F12 鍵，即可拍攝螢幕截圖，並存到 USB 隨身碟 (僅限 FAT/FAT32 格式)。

● **搜尋** - 按一下此頁籤或 Ctrl+F 鍵，可進入搜尋頁面。您可依 BIOS 項目名稱搜尋，將滑鼠移到空白處，並按滑鼠右鍵即可退出搜尋頁面。



**重要**

在搜尋頁面中，只有 F6、F10 和 F12 功能鍵可用。

● **語言** - 您可在此選擇 BIOS 設定畫面所顯示的語言。

● **系統資訊** - 顯示 CPU/DDR 速度、CPU/MB 溫度、MB/CPU 類型、記憶體容量、CPU/DDR 電壓、BIOS 版本和組建日期。

● **開機裝置順序列** - 您可移動裝置圖示來變更開機優先順序。開機順序由高至低的排序是由左至右。

- **顯示資訊** - 按一下左側的 **CPU**、**Memory**、**Storage**、**Fan Info** 和 **Help** 按鈕，即可顯示相關訊息。
- **功能按鈕** - 按一下 **LAN Option ROM**、**ErP Ready**、**AHCI/ RAID**、**Indication LED Control**、**BIOS UEFI/CSM Mode** 和 **RGB Light Control** 等各個按鈕即可啟用/停用各項功能。
- **M-Flash** - 按此按鈕即可顯示 **M-Flash** 功能表，可用 USB 隨身碟更新 BIOS。
- **硬體監測器** - 按此按鈕即可顯示 **硬體監測器** 功能表，您可在此手動調整風扇轉速的百分比。
- **我的最愛** - 按一下 **F3** 功能鍵以進入 **我的最愛** 選單。您可在此建立個人化的 BIOS 功能表，以便在其中儲存並使用最愛/最常用的 BIOS 設定項目。
  - **預設首頁** - 您可在此選擇一個 BIOS 功能表 (如設定、OC 等) 作為自選的 BIOS 首頁。
  - **我的最愛 1~5** - 您可在此將常用/最愛的 BIOS 設定項目放到同一個頁面。
  - **將 BIOS 項目加到我的最愛頁面(我的最愛 1~5)**
    1. 將滑鼠移動到 BIOS 選單上，或是搜尋頁面所列出的 BIOS 項目上。
    2. 按壓滑鼠右鍵，或按一下 **F2** 鍵。
    3. 選擇一個我的最愛頁面，然後按一下 **OK (確定)**。
  - **刪除我的最愛頁面中的 BIOS 項目**
    1. 在我的最愛頁面 (我的最愛 1~5) 選擇一個 BIOS 項目。
    2. 按壓滑鼠右鍵，或按一下 **F2** 鍵。
    3. 選擇 **Delete (刪除)** 然後按一下 **OK (確定)**。

## 進階模式

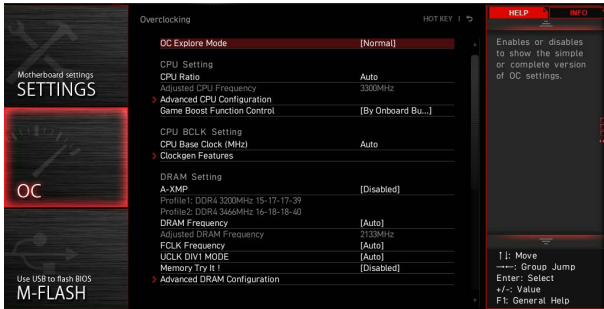
按下**設定模式開關**或**F7**功能鍵，即可在 BIOS 設定中切換 EZ 模式和進階模式。



- **BIOS 選單** - 提供以下選項：
  - **SETTINGS (設定)** - 您可在此指定晶片組和開機裝置的參數。
  - **OC (超頻)** - 您可在此調整頻率和電壓。提升頻率可能獲得更優異的效能。
  - **M-FLASH** - 提供以 USB 隨身碟更新 BIOS 的方式。
  - **OC PROFILE** - 可在此管理超頻設定檔。
  - **HARDWARE MONITOR (硬體監測器)** - 可在此設定風扇速度並監測系統電壓。
  - **BOARD EXPLORER (主機板瀏覽器)** - 提供已安裝在主機板上各類裝置的相關訊息。
- **顯示選單** - 顯示要配置的 BIOS 設定項目和資訊。

## OC 功能表

進階使用者可在此功能表對主機板進行超頻。



### ⚠ 重要

- 手動超頻功能僅建議由進階使用者進行操作。
- 本公司不保證超頻效果，若不當操作，可能會導致保固失效，甚至硬體嚴重受損。
- 若不熟悉超頻作業，建議您使用 **GAME BOOST** 功能進行簡易超頻。
- OC 選單中的 BIOS 項目會因安裝的處理器不同而有差異。

#### ▶ OC Explore Mode [Normal]

啟用或停用顯示 OC 設定的一般或玩家版本。

[Normal] 在 BIOS 設定選單中列出一般的超頻設定項目。

[Expert] 在 BIOS 設定選單中為超頻玩家列出進階的超頻設定項目。

註：\* 表進階模式的超頻設定。

#### ▶ CPU Ratio [Auto]

設定 CPU 倍頻，以決定 CPU 時脈速度。此項目僅在處理器支援此功能時，才可進行變更。

#### ▶ Advanced CPU Configuration

按下 **Enter** 鍵進入子選單。可設定 CPU 的功耗/電流。調整這些數值可能會使系統變得不穩定或無法開機，如有發生此類狀況，請清除 CMOS 資料並恢復為預設值。

#### ▶ Game Boost Function Control [By Onboard Button]

設定要以 BIOS 中的虛擬按鈕或主機板上的實體按鈕來啟用 GAME BOOST 功能。

#### ▶ A-XMP [Disabled]

請啟用 A-XMP 或選擇記憶體模組配置檔案以超頻記憶體。當安裝的處理器、記憶體模組，及主機板均支援此功能時，本項目才可使用。

#### ▶ DRAM Frequency [Auto]

設定 DRAM 頻率。請注意，本公司並不保證超頻效果。

#### ▶ FCLK Frequency [Auto]

設定 FCLK (Internal Data Fabric clock of DRAM) 頻率。請注意，本公司並不保證超頻效果。

### ► UCLK DIV1 Mode [Auto]

設定 UCLK (Internal memory controller clock) 模式。

### ► Memory Try It ! [Disabled]

可選擇最佳化的記憶體預設值，改善記憶體相容性或效能。

### ► Adjusted DRAM Frequency

顯示調整後的 DRAM 頻率。唯讀。

### ► Advanced DRAM Configuration

按 **Enter** 進入子功能表。使用者可設定個別或所有記憶體通道的記憶體時序。變更記憶體時序可能會使系統變得不穩定或無法開機，如有發生此類狀況，請清除 CMOS 資料並恢復為預設值。(請參閱清除 CMOS 功能跳線章節的說明以清除 CMOS 資料，並進入 BIOS 載入預設值。)

### ► DigitALL Power

按下 **Enter** 鍵進入子選單。本項設定 CPU PWM 相關的數位供電選項。

#### ► CPU Loadline Calibration Control [Auto]

CPU 電壓將根據 CPU 負載按比例降低。更高的負載線校準可以獲得更高的電壓和良好的超頻性能，但會提高 CPU 和 VRM 的溫度。若設定為**自動 (Auto)**，BIOS 將自動配置此設定。

#### ► CPU Over Voltage Protection [Auto]

本項設定過壓保護限值。設為**自動 (Auto)**，BIOS 會自動設定電壓。較高電壓表示較低防護，可能會損壞系統。

#### ► CPU Under Voltage Protection [Auto]

本項設定低壓保護限值。設為**自動 (Auto)**，BIOS 會自動設定。較高電壓表示較低防護，可能會損壞系統。

#### ► CPU Over Current Protection [Auto]

本項設定 CPU 過電流保護限值。設為**自動 (Auto)**，BIOS 會自動設定。較高數值表示較低防護，可能會損壞系統。

[Auto] 此設置將由 BIOS 自動配置。

[Enhanced] 擴充過電流保護的電流範圍。

#### ► CPU NB Loadline Calibration Control [Auto]

CPU-NB 電壓將根據 CPU-NB 負載按比例降低。更高的負載線校準可以獲得更高的電壓和良好的超頻性能，但會提高 CPU 和 VRM 的溫度。若設定為**自動 (Auto)**，BIOS 將自動配置此設置。

### ► CPU Voltages control [Auto]

使用這些選項設定 CPU 的相關電壓。若設定為**自動 (Auto)**，BIOS 會自動設定這些電壓，或可手動設定。

### ► DRAM Voltages control [Auto]

使用這些選項設定記憶體的相關電壓。若設定為**自動 (Auto)**，BIOS 會自動設定這些電壓，或可手動設定。



### ▶ Memory Changed Detect [Enabled]\*

啟用或停用記憶體更換後開機時系統發出警告訊息的功能。

[Enabled] 開機時系統會發出警告訊息，然後使用者必須載入新裝置的預設值。

[Disabled] 停用此功能並保留目前的 BIOS 設定。

### ▶ CPU Specifications

按下 **Enter** 鍵進入子選單。子選單顯示已安裝 CPU 的訊息。請按 **F4** 隨時進入查看本訊息。唯讀。

#### ▶ CPU Technology Support

按下 **Enter** 鍵進入子選單。子選單顯示已安裝 CPU 所支援的技術。唯讀。

### ▶ MEMORY-Z

按 **Enter** 進入子功能表。此子功能表會顯示已安裝記憶體的所有設定值和時序。您亦可隨時按 **F5** 進入此資訊功能表。

#### ▶ DIMMx Memory SPD

按 **Enter** 進入子功能表。此子功能表會顯示已安裝記憶體的資訊。唯讀。

### ▶ CPU Features

按 **Enter** 進入子功能表。

#### ▶ Simultaneous Multi-Threading [Enabled] (選擇性配置)

啟用或停用 AMD Simultaneous Multi-Threading。當安裝的 CPU 支持此技術時，將出現此項目。

#### ▶ Global C-state Control [Enabled] (選擇性配置)

啟用或停用 IO based C-state generation 和 DF C-states。

#### ▶ Opcache Control [Auto] (選擇性配置)

啟用或停用 Opcache。Opcache 儲存了最近的解碼指令，以在指令重複時保存解碼時間。並且可能會提高 CPU 效能並略微降低功耗。

#### ▶ IOMMU Mode (選擇性配置)

啟用或停用於 I/O 虛擬化的 IOMMU (I/O 內存管理單元)。

#### ▶ Spread Spectrum (選擇性配置)

該功能可減少由調製時脈發生器脈衝產生的 EMI (電磁干擾)。

[Enabled] 啟用擴頻功能以降低 EMI (電磁干擾) 問題。

[Disabled] 提高 CPU 基礎時脈的超頻能力。



### 重要

- 如果您沒有任何 EMI 問題，請將設定保留在 [Disabled] 以獲得最佳的系統穩定性和性能。但是，如果您受到 EMI 的困擾，請選擇擴頻以降低 EMI。
- 擴頻值越大，EMI 越大，系統會變得越不穩定。對於最適合的 Spread Spectrum 值，請諮詢您當地的 EMI 規範。
- 注意，如果您正在進行超頻，請停用 Spread Spectrum，因為即使輕微的抖動也會引起暫時的時脈提升，這可能會導致超頻處理器鎖定。

▶ **Relaxed EDC throttling [Auto] (選擇性配置)**

寬鬆的 EDC 節流減少了處理器對內核進行節流的時間。

[Auto] AMD 官方的建議選項。

[Enabled] 減少處理器的節流時間。

[Disabled] 啟用部分專用的 EDC 節流保護。

▶ **AMD Cool' n' Quiet [Enabled]**

Cool' n' Quiet technology 技術可以有效並且動態地降低 CPU 速度和功耗。

▶ **SVM Mode [Enabled]**

啟用或停用 AMD SVM (Secure Virtual Machine) 模式。

▶ **BIOS PSP Support [Enabled] (選擇性配置)**

啟用或停用 BIOS PSP 支援。它管理 PSP 子項目，包含所有 C2P/P2C 信箱，Secure S3, fTPM 支援。

▶ **Power Supply Idle Control [Auto] (選擇性配置)**

它允許您在所有內核處於非 CO 狀態時選擇 CPU 的省電控制模式。如果設定為 **自動 (Auto)**，BIOS 將配置此設定。

# 目录

<b>安全信息</b> .....	<b>3</b>
<b>规格</b> .....	<b>4</b>
JCORSAIR1 接口规格 .....	11
<b>包装内容</b> .....	<b>11</b>
<b>后置 I/O 面板</b> .....	<b>12</b>
LAN 端口 LED 状态表 .....	12
音频端口配置 .....	12
Realtek 音频控制台 .....	13
安装天线.....	15
<b>组件概述</b> .....	<b>16</b>
处理器底座.....	17
DIMM 插槽 .....	18
PCI_E1~5: PCIe 扩展插槽 .....	19
M2_1~3: M.2 接口 (M 键) .....	21
SATA1~4: SATA 6Gb/s 接口.....	23
JFP1, JFP2: 前置面板接口.....	23
CPU_PWR1~2, ATX_PWR1: 电源接口.....	24
OC1: GAME BOOST 游戏加速引擎旋钮 .....	25
JAUD1: 前置音频接口 .....	26
JUSB1: USB 3.2 Gen 2 Type-C 接口.....	27
JUSB2~3: USB 3.2 Gen1 接口.....	27
JUSB4~5: USB 2.0 接口 .....	28
JTPM1: TPM 模组接口 .....	28
CPU_FAN1, PUMP_FAN1, SYS_FAN1~5: 风扇接口.....	29
JCI1: 机箱入侵检测接口.....	30
JBAT1: 清除 CMOS (重启 BIOS) 跳线.....	31
POWER1, RESET1: 电源按钮, 重启按钮 .....	31
JRGB1: RGB LED 接口 .....	32
JRAINBOW1~2: 寻址 RGB LED 接口 .....	33
JCORSAIR1: CORSAIR 接口 .....	34
<b>板载 LED 灯</b> .....	<b>35</b>
简易侦错 LED 灯 .....	35
JPWRLED1: LED 电源输入 .....	35
侦错代码 LED 灯 .....	35
十六进制字符表 .....	36

启动阶段.....	36
侦错代码 LED 灯表 .....	36
<b>安装操作系统, 驱动程序和工具程序 .....</b>	<b>41</b>
安装 Windows® 10.....	41
安装驱动.....	41
安装工具.....	41
<b>BIOS 设置 .....</b>	<b>42</b>
进入 BIOS 设置.....	42
重启 BIOS .....	43
更新 BIOS .....	43
EZ 模式.....	45
高级模式 .....	47
OC 菜单 .....	48

# 安全信息

- 此包装中包含的的组件有可能到静电放电(ESD)损坏。请遵守以下注意事项,以确保成功组装计算机。
- 确保所有组件连接牢固。若连接不紧可能会导致计算机无法识别组件或无法开启。
- 拿起主板时请手持主板边缘,避免触及主板的敏感组件。
- 当拿取主板时,建议佩戴静电放电(ESD)腕带,以防止静电损坏其配置。如果 ESD 腕带无法使用,请在拿取主板前通过接触其它金属物体释放自身的静电。
- 在不安装主板时,请将主板放在静电屏蔽容器或防静电垫上。
- 在打开计算机前,确保计算机机箱内的主板或任何位置上没有松动的螺丝或金属组件。
- 在安装完成之前不要启动计算机。否则可能会导致组件永久性损坏以及伤害使用者。
- 在任何安装步骤中,如果您需要帮助,请咨询专业的计算机技术员。
- 安装或拆卸计算机任何组件之前,请先关闭电源,并将电源线由插座上拔除。
- 保留本用户指南以供将来参考。
- 本主板须远离湿气。
- 在电源供应器连接到电源插座之前,请确保您的插座提供了电源供应器上额定相同的指示电压。
- 将电源线摆放在不会被人踩到的地方,不要在电源线上放置任何物品。
- 须留意在主板上所有的警告标示。
- 发生下列任一状况时,请将本主板交由维修人员检查:
  - 有液体渗透至计算机内。
  - 主板暴露于水气当中。
  - 主板不工作,或您依照使用指南后仍无法让本主板工作。
  - 主板曾掉落且损坏。
  - 主板有明显的破损痕迹。
- 切勿将主板放置于摄氏 60 度(华氏 140 度)以上的环境中,以免主板损坏。

# 规格

CPU	支持 AM4 针脚的第二代和第三代 AMD 锐龙™ 以及搭载 Radeon™ Vega Graphics 的锐龙™ 和搭载 Radeon™ Graphics 的第二代 AMD 锐龙™ 台式机处理器
芯片组	AMD® X570 芯片组
内存	<ul style="list-style-type: none"><li>• 4 个 DDR4 内存插槽, 支持高 128GB*<ul style="list-style-type: none"><li>▪ 第三代 AMD 锐龙™ 处理器支持 DDR4 1866/ 2133/ 2400/ 2667/ 2800/ 2933/ 3000/ 3066/ 3200 MHz 通过 JEDEC , 和 2667/ 2800 /2933 /3000 /3066 /3200 /3466 /3600/ 3733 /3866 /4000 /4133 /4266 /4400 /4533 /4600 MHz 通过 A-XMP OC 模式</li><li>▪ 第二代 AMD 锐龙™ 处理器, 搭载 Radeon™ Vega Graphics 的第一代和第二代 AMD 锐龙™ 处理器支持 DDR4 1866/ 2133/ 2400/ 2667/ 2800/ 2933/ 3000/ 3066/ 3200 MHz 通过 JEDEC , 和 2667 /2800 / 2933 /3000 /3066 /3200 /3466 /3600 MHz 通过 A-XMP OC 模式</li></ul></li><li>• 双通道内存构架</li><li>• 支持 非 -ECC UDIMM 内存</li><li>• 支持 ECC UDIMM 内存 ( 非 -ECC 模式 )</li><li>• 支持 非 - 缓存内存</li></ul> <p>* 请参考 <a href="http://www.msi.com">www.msi.com</a> 网站, 以了解有关于内存兼容的详细信息。</p>
扩展插槽	<ul style="list-style-type: none"><li>• 2 个 PCIe 4.0/ 3.0 x16 插槽 (PCI_E1, PCI_E3)<ul style="list-style-type: none"><li>▪ 第三代 AMD 锐龙™ 支持 PCIe 4.0 x16/x0, x8/x8 模式</li><li>▪ 第二代 AMD 锐龙™ 支持 PCIe 3.0 x16/x0, x8/x8 模式</li><li>▪ 搭载 Radeon™ Vega Graphics 的锐龙™ 和搭载 Radeon™ Graphics 的第二代 AMD 锐龙™ 支持 PCIe 3.0 x8 模式*</li></ul></li><li>• 1 个 PCIe 4.0/ 3.0 x16 插槽 (PCI_E5, 支持 x4 模式)</li><li>• 2 个 PCIe 4.0/ 3.0 x1 插槽**</li></ul> <p>* PCI_E3 插槽仅适用于第二代和第三代 AMD 锐龙™ 处理器。 ** PCIe x1 插槽不能同时使用。在 PCI_E4 插槽中安装 PCIe 卡时, PCI_E2 将无效。 ***不同设备的速度可能有所不同。</p>
多重 GPU 支持	<ul style="list-style-type: none"><li>• 支持 2-Way NVIDIA® SLI® 技术</li><li>• 支持 3-Way AMD® CrossFire™ 技术</li></ul>

转下一页

接上一页

LAN	1 个 Intel® WGI211AT 千兆网络控制器 1 个 Realtek® RTL8125 2.5 Gbps 网络控制器
无线网卡和蓝牙®	Intel® Wi-Fi 6 AX200 <ul style="list-style-type: none"><li>▪ 支持 802.11 a/b/g/n/ac/ax, MU-MIMO Rx, 2.4GHz- 5GHz (160MHz) 高达 2.4Gbps</li><li>▪ 支持蓝牙® 5</li><li>▪ 无线模块预装在 M2_4 (E-键) 插槽中</li></ul>
音频	Realtek® ALC1220 解码芯片 <ul style="list-style-type: none"><li>• 7.1-声道高清音频</li><li>• 支持光纤 S/PDIF 输出</li></ul>
存储	AMD® X570 芯片组 <ul style="list-style-type: none"><li>• 4 个 SATA 6Gb/s 端口</li><li>• 2 个 M.2 接口 (M2_2/ M2_3, M 键)*<ul style="list-style-type: none"><li>▪ 支持 PCIe 4.0/ 3.0 x4 和 SATA 6Gb/s</li><li>▪ 支持 2242/ 2260 /2280 存储设备</li></ul></li></ul> AMD® 处理器 <ul style="list-style-type: none"><li>• 1 个 M.2 接口 (M2_1, M 键)*<ul style="list-style-type: none"><li>▪ 支持 PCIe 4.0 x4 (第三代 AMD 锐龙™)</li><li>▪ 支持 PCIe 3.0 x4 (第二代 AMD 锐龙™ 以及搭载 Radeon™ Vega Graphics 的锐龙™ 和搭载 Radeon™ Graphics 的第二代 AMD 锐龙™)</li><li>▪ 支持 2242/ 2260 /2280/ 22110 存储设备</li></ul></li></ul> <p>*不同设备的速度可能有所不同</p>
RAID	AMD® X570 芯片组 <ul style="list-style-type: none"><li>• 支持 RAID 0, RAID 1 和 RAID 10</li></ul>

转下一页

接上一页

<b>USB</b>	<p>AMD® X570 芯片组</p> <ul style="list-style-type: none"><li>▪ 3 个 USB 3.2 Gen2 (SuperSpeed USB 10Gbps) 端口 (2 个 Type-A 后置面板端口, 1 个 Type-C 内部接口)</li><li>▪ 4 个 USB 3.2 Gen1 (SuperSpeed USB) 端口通过内部 USB 3.2 Gen1 接口可使用</li><li>▪ 6 个 USB 2.0 (High-speed USB) 端口 (2 个 Type-A 后置面板端口, 通过内部 USB 2.0 接口可使用 4 个端口)</li></ul> <p>AMD® 处理器</p> <ul style="list-style-type: none"><li>▪ 2 个 USB 3.2 Gen2 (第三代 AMD 锐龙™) 或 USB 3.2 Gen1 (第二代 AMD 锐龙™ 以及搭载 Radeon™ Vega Graphics 的锐龙™ 和搭载 Radeon™ Graphics 的第二代 AMD 锐龙™) 后置面板端口 (1 个 Type-A 和 1 个 Type-C)</li><li>▪ 2 个 USB 3.2 Gen1 (SuperSpeed USB) Type-A 后置面板端口</li></ul>
<b>I/O 控制器</b>	NUVOTON NCT6797 控制器芯片
<b>硬件监控</b>	<ul style="list-style-type: none"><li>• CPU/系统/芯片组温度检测</li><li>• CPU/系统/芯片组风扇速率检测</li><li>• CPU/系统/芯片组风扇速率控制</li></ul>
<b>尺寸规格</b>	<ul style="list-style-type: none"><li>• ATX 尺寸规格</li><li>• 12 英寸 x 9.6 英寸 (30.5 厘米 x 24.4 厘米)</li></ul>

转下一页



接上一页

内部接口

- 1 个 24-pin ATX 主电源接口
- 2 个 8-pin ATX 12V 电源接口
- 4 个 SATA 6Gb/s 接口
- 2 个 USB 2.0 接口 (额外支持 4 个 USB 2.0 端口)
- 2 个 USB 3.2 Gen 1 接口 (额外支持 4 个 USB 3.2 Gen 1 端口)
- 1 个 USB 3.2 Gen 2 Type-C 端口
- 1 个 4-pin CPU 风扇接口
- 5 个 4-pin 系统风扇接口
- 1 个 4-pin 水冷接口
- 1 个 前置面板音频接口
- 2 个 系统面板接口
- 1 个 TPM 模组接口
- 1 个 清除 CMOS 跳线
- 1 个 机箱入侵检测接口
- 1 个 电源按钮
- 1 个 重启按钮
- 1 个 Game Boost 游戏加速引擎旋钮
- 1 个 4-pin RGB LED 接口
- 2 个 3-pin RAINBOW LED 接口
- 1 个 3-pin CORSAIR 接口
- 1 个 2-pin LED 电源输入
- 1 个 侦错代码 LED 灯
- 4 个 简易侦错 LED 灯

转下一页

接上一页

<b>后置面板接口</b>	<ul style="list-style-type: none"><li>• 1 个 清除 CMOS 按钮</li><li>• 1 个 更新 BIOS 按钮</li><li>• 1 个 WiFi无线/ 蓝牙模块</li><li>• 1 个 PS/2 键盘/ 鼠标组合端口</li><li>• 2 个 USB 2.0 端口</li><li>• 2 个 USB 3.2 Gen 1 端口</li><li>• 2 个 LAN(RJ45) 端口</li><li>• 1 个 USB 3.2 Gen 2/ 1 Type C 端口</li><li>• 1 个 USB 3.2 Gen 2/ 1 Type A 端口</li><li>• 2 个 USB 3.2 Gen 2 Type A 端口</li><li>• 5 个 OFC 音频插孔</li><li>• 1 个 光纤 S/PDIF 输出接口</li></ul>
<b>BIOS 功能</b>	<ul style="list-style-type: none"><li>• 1 个 256 Mb flash</li><li>• UEFI AMI BIOS</li><li>• ACPI 6.1, SM BIOS 2.8</li><li>• 多国语言</li></ul>
<b>软件</b>	<ul style="list-style-type: none"><li>• 驱动程序</li><li>• DRAGON CENTER</li><li>• 纳美音频</li><li>• MSI GAMING 版 CPU-Z</li><li>• MSI App 播放器 (BlueStacks)</li><li>• Google 浏览器™, Google 工具栏, Google 云端硬盘</li><li>• 诺顿™ 网络安全解决方案</li></ul>
<b>Dragon Center 功能</b>	<ul style="list-style-type: none"><li>• DRAGON OPTIMIZATION</li><li>• OC 性能</li><li>• 硬件监视器</li><li>• True Color</li><li>• 网卡管理软件</li><li>• 动态RGB LED炫光系统</li><li>• Live Update</li></ul> <div data-bbox="727 1129 855 1257"></div> <div data-bbox="657 1270 905 1326"><p>有关更多的详细信息, 请参阅: <a href="http://download.msi.com/manual/mb/DRAGONCENTER2.pdf">http://download.msi.com/manual/mb/DRAGONCENTER2.pdf</a>.</p></div>

转下一页

接上一页

特殊功能

- 音频
  - 经典音皇技术高清版
  - 第三代纳美音频
  - 语音增强技术
- 网络
  - 微星 GAMING 网卡与微星 Gaming 网卡管理软件
  - 双 LAN (2.5G+1G)
  - Intel WiFi
- 存储
  - Lightning Gen 4 M.2
  - 三重 M.2
- 冷却
  - 零动空间智能后停技术
  - M.2冰霜散热底座
  - 专利刀锋扇叶
  - M.2 冰霜铠甲
  - 水冷风扇
  - Gaming 风扇控制
- LED
  - 炫光镜
  - 第三代动态RGB LED炫光系统
  - 炫光系统扩展技术 (RGB)
  - 炫光系统扩展技术 (RAINBOW)
  - 炫光系统扩展技术 (CORSAIR)
  - 炫光系统同步技术
  - 简易侦错 LED 灯
- 防护设计
  - DDR4 钢铁装甲
  - PCI-E 钢铁装甲
  - 预装 I/O 挡板

转下一页

特殊功能

- 性能
  - Lightning Gen 4 PCI-E 插槽
  - 多显卡-SLI 技术
  - 多显卡-CrossFire 技术
  - DDR4 加速引擎
  - 核心加速引擎
  - GAME Boost 游戏加速引擎(8 模式)
  - GAME Boost 游戏加速引擎
  - 超频引擎芯片 (Clock gen)
  - USB type A+C 接口
  - AMD Turbo USB 3.2 Gen 2
  - 前置 USB Type-C
  - 双 CPU 电源
- 玩家体验
  - DRAGON CENTER
  - GAMING 热键
  - GAMING 鼠标控制
  - USB 加速软件
  - 总风扇控制
  - Live Update
  - APP 播放器
- BIOS
  - 第五代图形化BIOS
  - 更新 BIOS 按钮

## JCORSAIR1 接口规格

支持 CORSAIR RGB 产品	最多连接数量
Lighting PRO RGB LED 灯条	20* * 当 LED 灯条数量超过 8 时, 建议亮度为 20%。
HD120 RGB 风扇	6
SP120 RGB 风扇	6
LL120 RGB 风扇	6

## 包装内容

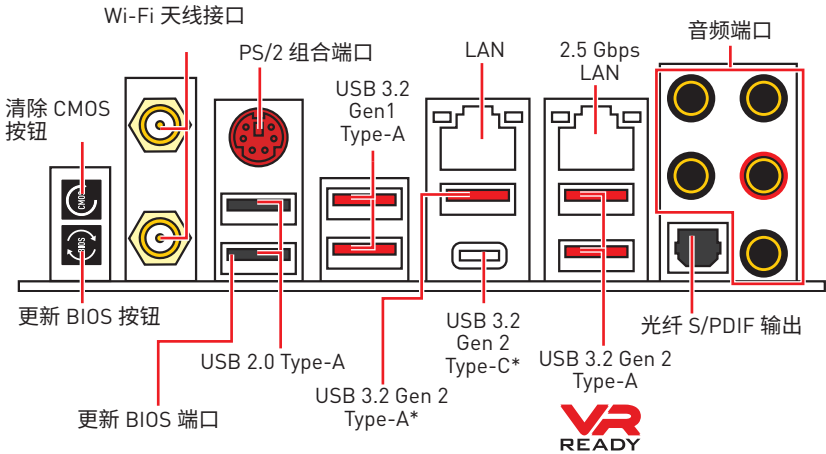
请检查您的主板包装内容。它应包含以下内容：

主板	MEG X570 ACE	
电缆	SATA 6Gb/s 电缆	4
	1 转 2 RGB LED 延长线 Y 80 厘米	1
	CORSAIR RGB LED 延长线 50 厘米	1
	RAINBOW RGB LED 延长线 80 厘米	1
配件	天线套组	1
	8.5H M.2 螺丝	3
	机箱铭牌	1
	SATA 电缆标签	1
	产品注册卡	1
DVD 应用程序	DVD 驱动盘	1
文档	用户手册	1
	快速安装指南	1



**注意**  
如上述物品有任何损坏或遗失, 请联系您的零售商。

# 后置 I/O 面板



\*USB 3.2 Gen2 (第三代 AMD 锐龙™) 或 USB 3.2 Gen1 (第二代 AMD 锐龙™ 以及搭载 Radeon™ Vega Graphics 的锐龙™ 和搭载 Radeon™ Graphics 的第二代 AMD 锐龙™)

- **清除 CMOS 按钮** - 关闭您的计算机电源。按住清除 CMOS 按钮大约 5-10 秒钟，以重置 BIOS 为默认值。
- **更新 BIOS 端口/按钮** - 请参阅第 44 页的更新 BIOS 按钮部分。

## LAN 端口 LED 状态表

连线/工作灯号		速度灯号												
状态	描述													
关	网络未连接	<table border="1"> <thead> <tr> <th>状态</th> <th>千兆 LAN</th> <th>2.5 Gbps LAN</th> </tr> </thead> <tbody> <tr> <td>关</td> <td>传输速率 10 Mbps</td> <td>传输速率 10 Mbps</td> </tr> <tr> <td>绿色</td> <td>传输速率 100 Mbps</td> <td>传输速率 100 Mbps / 1 Gbps</td> </tr> <tr> <td>橙色</td> <td>传输速率 1 Gbps</td> <td>传输速率 2.5 Gbps</td> </tr> </tbody> </table>	状态	千兆 LAN	2.5 Gbps LAN	关	传输速率 10 Mbps	传输速率 10 Mbps	绿色	传输速率 100 Mbps	传输速率 100 Mbps / 1 Gbps	橙色	传输速率 1 Gbps	传输速率 2.5 Gbps
状态	千兆 LAN		2.5 Gbps LAN											
关	传输速率 10 Mbps		传输速率 10 Mbps											
绿色	传输速率 100 Mbps		传输速率 100 Mbps / 1 Gbps											
橙色	传输速率 1 Gbps	传输速率 2.5 Gbps												
黄色	网络已连接													
闪烁	网络数据在使用中													

## 音频端口配置

音频端口	通道			
	2	4	6	8
中置/超重低音输出			●	●
后置喇叭输出		●	●	●
音频输入/侧置喇叭输出				●
音频输出/前置喇叭输出	●	●	●	●
麦克风输入				

(●: 连接, 空白: 空)

## Realtek 音频控制台

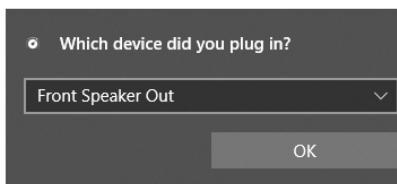
Realtek 音频控制台安装完成后,您可以用它来更改声音设置,以获得更好的音质体验。



- **设备选择** - 允许您选择一个音频输出源来更改相关选项。**检查**标志指示设备为默认值。
- **应用程序增强** - 选项的数组将为您输出和输入设备提供一个完整的预期音响效果指南。
- **主音量** - 通过由右侧/左侧的调整条来控制您在前置或后面板上插入的扬声器音量或均衡。
- **插孔状态** - 采集设备当前与计算机连接的所有呈现和描述。
- **接口设置** - 用于配置接口设置。

### 自动弹出对话框

当您插入设备至音频插孔时,会弹出对话框询问您当前连接的是哪一个设备。

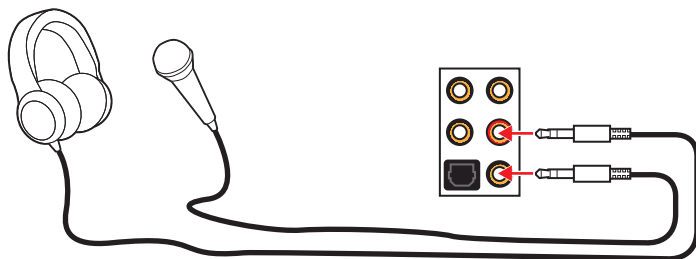


每个插孔对应的默认设置如下一页图示所示。

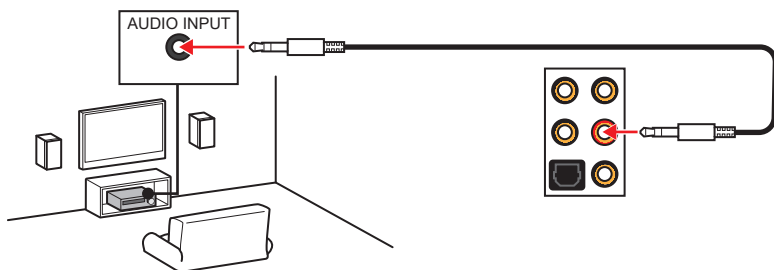


以上图片仅供参考,可能与您购买的产品有所不同。

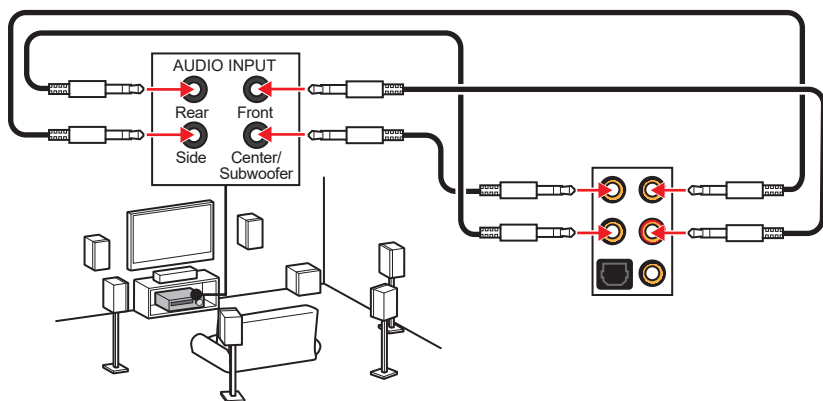
## 耳机和麦克风至音频插孔示意图



## 立体声喇叭至音频插孔示意图



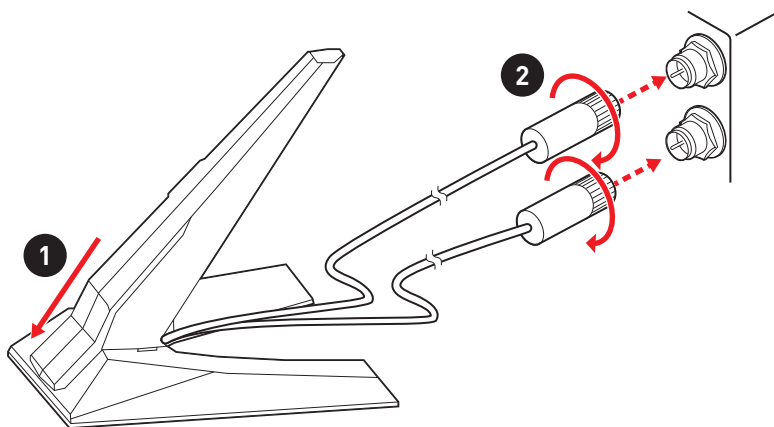
## 7.1-声道喇叭至音频插孔示意图



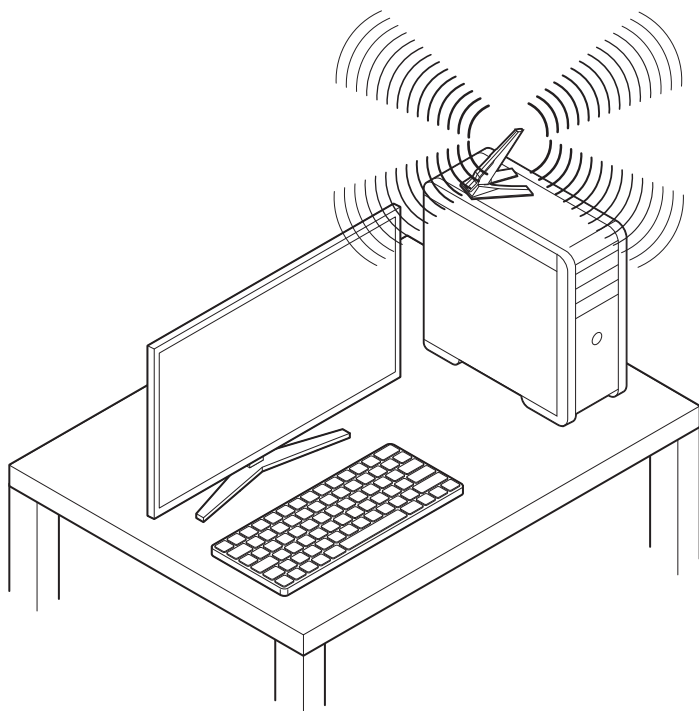


## 安装天线

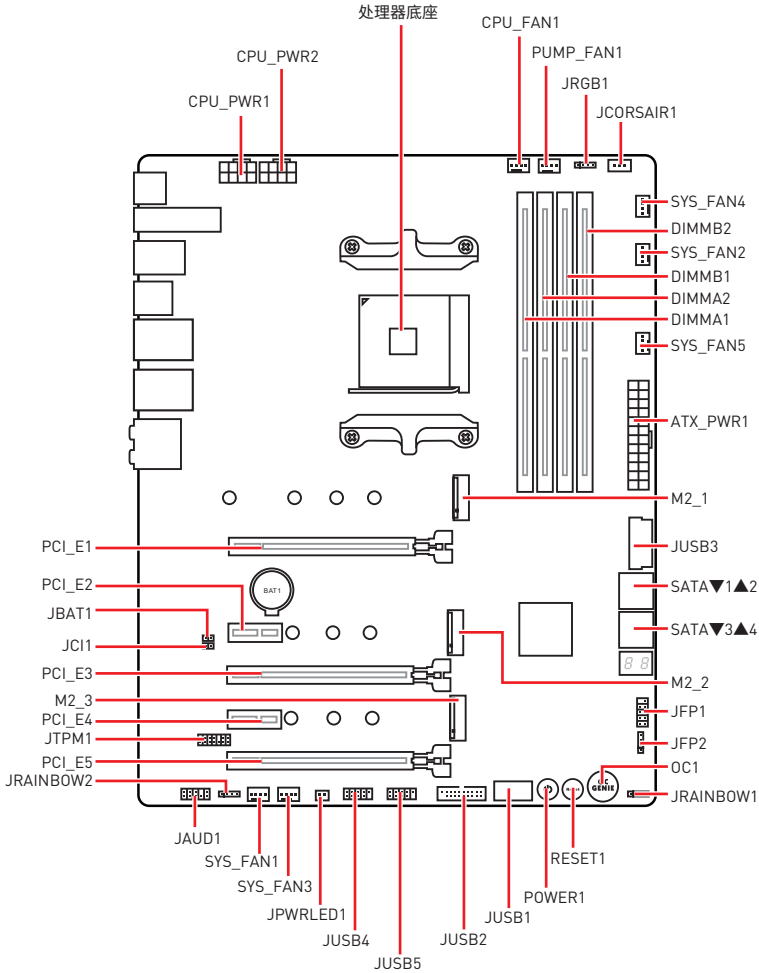
1. 将天线与底座组合在一起。
2. 将两根天线电缆拧紧至 WiFi 天线接口, 如图所示。



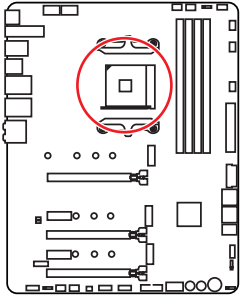
3. 请将天线尽量放置更高。



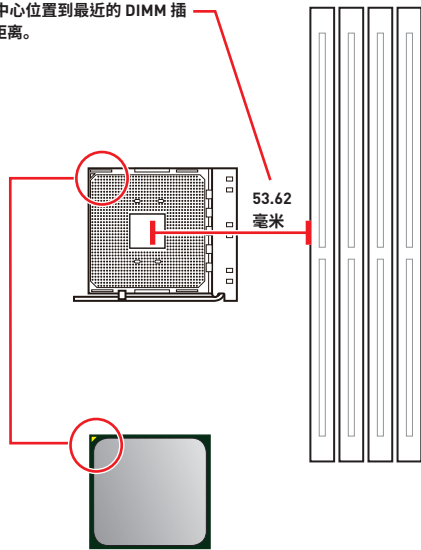
# 组件概述



## 处理器底座



CPU 中心位置到最近的 DIMM 插槽的距离。



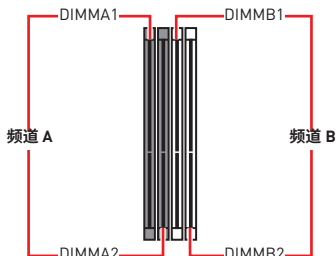
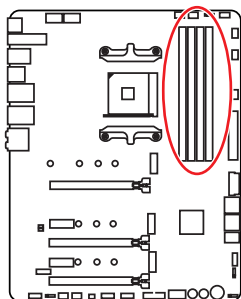
### AM4 处理器简介

为了正确的将处理器放置在主板中,AM4处理器的表面有一个黄色三角指示。黄色三角指示为Pin 1。

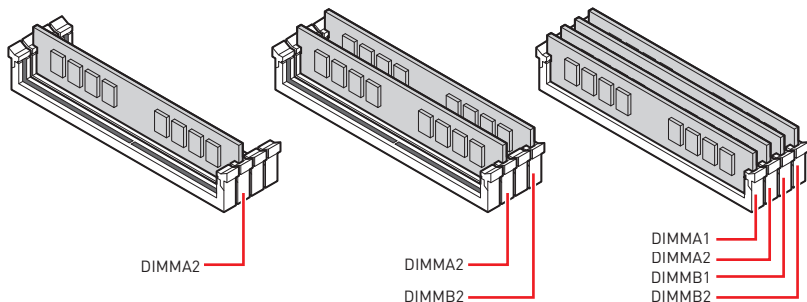
### ⚠ 注意

- 当更改处理器时,由于 AM4 处理器的体系结构,系统配置可以被清除和 BIOS 重置为默认值。
- 安装或移除 CPU 之前,请先关闭电源,并将电源线由插座上拔除。
- 当您安装 CPU 时,请确认已安装好 CPU 风扇。对防止过热和维持系统的稳定性 CPU 风扇是非常必要的。
- 确认在系统启动前 CPU 风扇已经牢固的粘贴在 CPU 上。
- 温度过高会严重损害 CPU 和系统,请务必确认所使用的降温风扇始终能够正常工作,保护 CPU 以免过热烧毁。确认,您已在 CPU 和散热片之间涂抹了一层平滑的散热硅胶(或热胶带)以增强散热。
- 如果您购买了一个独立 CPU 的散热片/冷却器,详细安装请参考散热片/冷却器包装内的说明书。
- 主板设计支持超频。然而,请确认您的配置能够接受这样非常规的设定。在超频时,不推荐任何超技术规范之外的动作。MSI® 不承担损坏或因为在产品规格之外不规范的操作导致的风险。

## DIMM 插槽



### 内存模块安装建议



### ⚠ 注意

- 安装内存条模块时务必先由 **DIMMA2** 插槽开始安装。
- 由于芯片组资源使用, 内存可用的容量将会比安装的用量少一点。
- 基于处理器的规格, 建议内存电压低于 1.35V 以保护处理器。
- 当超频运行某些内存模块时频率可能会低于标明值, 皆因内存频率运行取决于其串行设备检测 (SPD)。如果您需要设置内存频率在标明或在更高频率下来运行内存, 转到 BIOS 并找到 **DRAM Frequency!**
- 建议使用一种更有效的内存的冷却系统, 用于完整 DIMM 的安装或超频。
- 当超频时, 内存模块安装的稳定性和兼容性取决于已安装的 CPU 和设备。
- 由于 AM4 处理器 / 内存控制器官方规范的限制, 内存模块的工作频率可能低于默认状态下的标明值。请参考 [www.msi.com](http://www.msi.com) 网站, 以了解有关于内存兼容的详细信息。

## PCI\_E1~5: PCIe 扩展插槽

插槽	第三代 AMD 锐龙™	第二代 AMD 锐龙™	搭载 Radeon™ Vega Graphics 的锐龙™ 和搭载 Radeon™ Graphics 的第二代 AMD 锐龙™
PCI_E1	PCIe 4.0 x16	PCIe 3.0 x16	PCIe 3.0 x8
PCI_E2	PCIe 4.0 x1	PCIe 3.0 x1	PCIe 3.0 x1
PCI_E3	PCIe 4.0 x8	PCIe 3.0 x8	不可用
PCI_E4	PCIe 4.0 x1	PCIe 3.0 x1	PCIe 3.0 x1
PCI_E5	PCIe 4.0 x4	PCIe 3.0 x4	PCIe 3.0 x4



### 注意

- 如果您安装了一个大而重的显卡时, 您需要使用一个辅助工具如 **MSI 游戏系列显卡支架千斤顶**来支撑其重量, 以防止插槽变形。
- 为了使安装单个 PCIe x16 扩展卡获得最佳性能。建议使用 **PCI\_E1** 插槽。
- 当添加或移除扩展卡时, 请先关闭电源, 并将电源线由插座上拔除。请查看关于扩展卡的文档以便检查必要附件的硬件和软件变化。
- PCIe x1 插槽不能同时使用。将 PCIe 卡安装到 PCI\_E4 插槽时, PCI\_E2 将无效。

## PCIe 频宽表

请参考下表安装 PCIe 设备。

适用于第三代 AMD 锐龙™

插槽	单个		2-Way		3-Way*	
PCI_E1 (CPU)	@4.0 x16		@4.0 x8		@4.0 x8	
PCI_E2 (PCH)	4.0 x1	—	4.0 x1	—	4.0 x1	—
PCI_E3 (CPU)	—		@4.0 x8		@4.0 x8	
PCI_E4 (PCH)	—	4.0 x1	—	4.0 x1	—	4.0 x1
PCI_E5 (PCH)	4.0 x4		4.0 x4		@4.0 x4	

(—: 不可用, @: 显卡, \*: 仅限CrossFire)

**适用于第二代 AMD 锐龙™**

插槽	单个		2-Way		3-Way*	
PCI_E1 (CPU)	@3.0 x16		@3.0 x8		@3.0 x8	
PCI_E2 (PCH)	3.0 x1	—	3.0 x1	—	3.0 x1	—
PCI_E3 (CPU)	—		@3.0 x8		@3.0 x8	
PCI_E4 (PCH)	—	3.0 x1	—	3.0 x1	—	3.0 x1
PCI_E5 (PCH)	3.0 x4		3.0 x4		@3.0 x4	

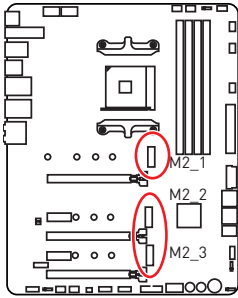
(—: 不可用, @: 显卡, \*: 仅限CrossFire)

**适用于搭载 Radeon™ Vega Graphics 的锐龙™ 和搭载 Radeon™ Graphics 的第二代 AMD 锐龙™**

插槽	单个		2-Way*	
PCI_E1 (CPU)	@3.0 x8		@3.0 x8	
PCI_E2 (PCH)	3.0 x1	—	3.0 x1	—
PCI_E3 (CPU)	—		—	
PCI_E4 (PCH)	—	3.0 x1	—	3.0 x1
PCI_E5 (PCH)	3.0 x4		@3.0 x4	

(—: 不可用, @: 显卡, \*: 仅限CrossFire)

## M2\_1~3: M.2 接口 (M 键)

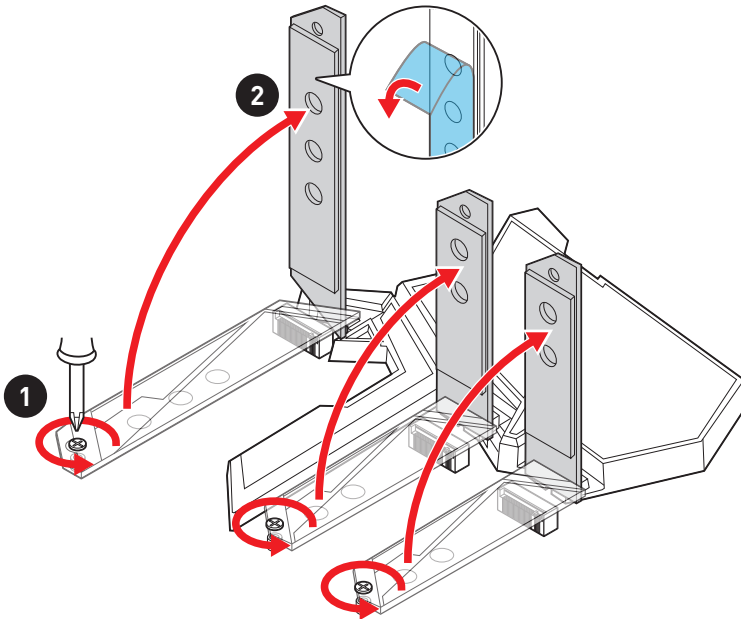


以下表格描述了 M.2 接口与处理器的 PCIe 频宽之间的关系。

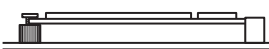
插槽	第三代 AMD 锐龙™	第二代 AMD 锐龙™	搭载 Radeon™ Vega Graphics 的锐龙™ 和搭载 Radeon™ Graphics 的第二代 AMD 锐龙™
M2_1	PCIe 4.0 x4	PCIe 3.0 x4	PCIe 3.0 x4
M2_2	PCIe 4.0 x4	PCIe 3.0 x4	PCIe 3.0 x4
M2_3	PCIe 4.0 x4	PCIe 3.0 x4	PCIe 3.0 x4

### 安装 M.2 模块

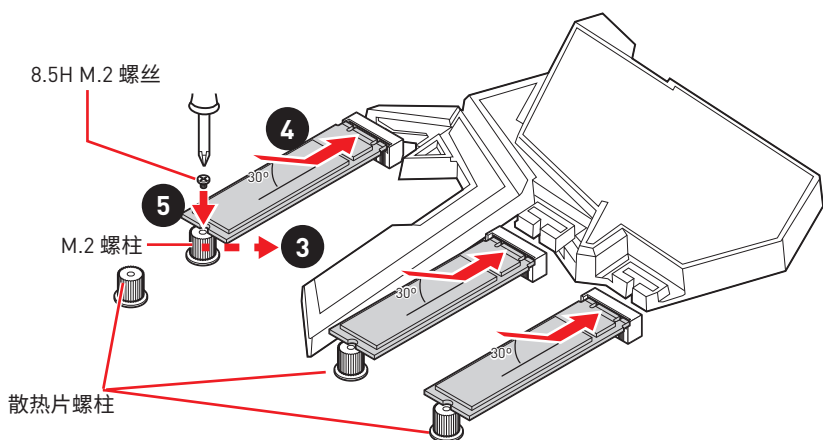
1. 将 M.2 冰霜铠甲散热片上的螺丝移除。
2. 提起 M.2 冰霜铠甲散热片并从散热垫上取下保护膜。



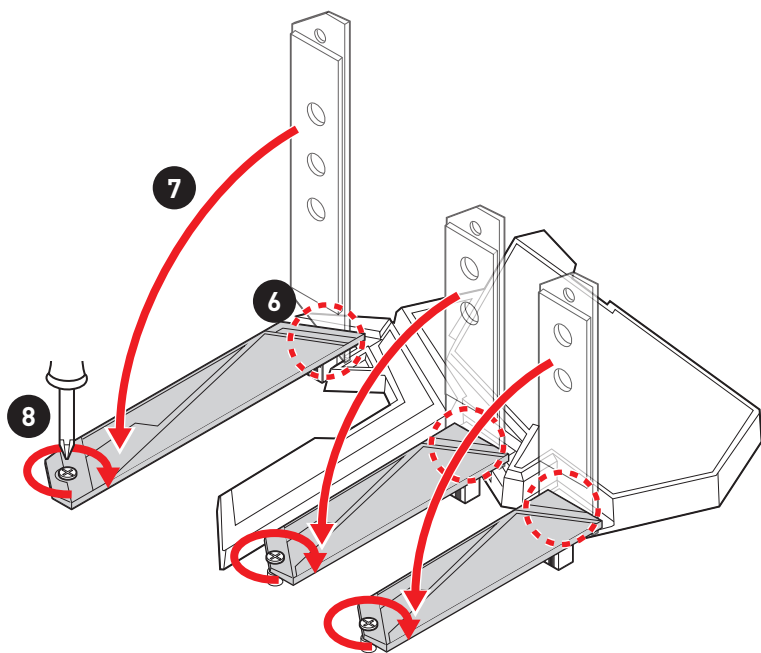
3. 将 M.2 螺柱移动并固定到 M.2 固态硬盘的适当位置。为免损坏它, 请确认在 M.2 固态硬盘下方无多余 M.2 螺柱。



4. 将 M.2 固态硬盘以 30 度角插入 M.2 接口。
5. 如果 M.2 固态硬盘比 M.2 冰霜铠甲散热片短, 请使用 8.5H M.2 螺丝将 M.2 固态硬盘固定好。如果 M.2 固态硬盘的长度与 M.2 冰霜铠甲散热片相同, 请跳过此步骤。



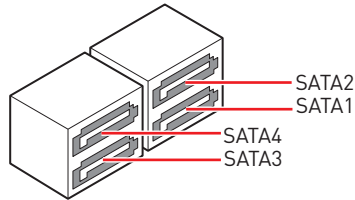
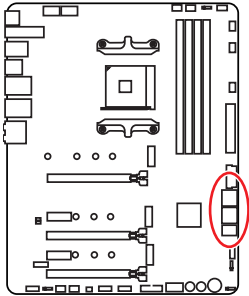
6. 将 M.2 冰霜铠甲散热片轴插入凹槽中。
7. 按下 M.2 冰霜铠甲散热片。
8. 将 M.2 冰霜铠甲散热片固定到散热片螺柱上。





## SATA1~4: SATA 6Gb/s 接口

这些接口是串行 SATA 6Gb/s 界面接口。每个接口可以连接一个串行 SATA 设备。

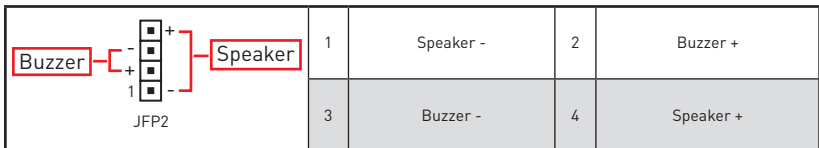
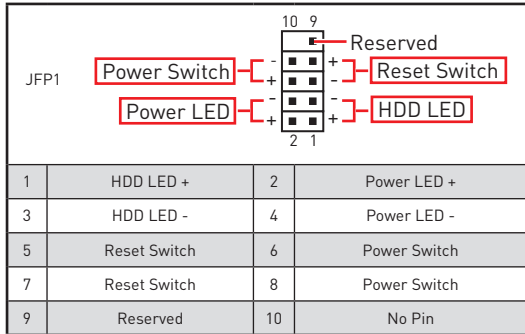
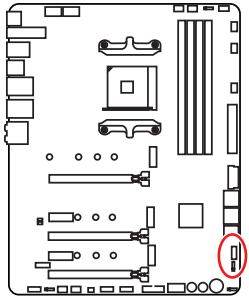


### ⚠️ 注意

- 请勿将 SATA 数据线对折成 90 度。否则，传输过程中可能会出现数据丢失。
- SATA 线的两端有相同的插口，然而，为了节省空间建议连接扁平接口端在主板上。

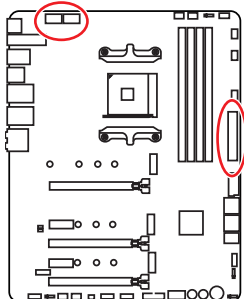
## JFP1, JFP2: 前置面板接口

这些接口连接至前置面板上的开关和 LED 灯。



## CPU\_PWR1~2, ATX\_PWR1: 电源接口

这些接口允许您连接一个 ATX 电源供应器。



1	Ground	5	+12V
2	Ground	6	+12V
3	Ground	7	+12V
4	Ground	8	+12V

1	+3.3V	13	+3.3V
2	+3.3V	14	-12V
3	Ground	15	Ground
4	+5V	16	PS-ON#
5	Ground	17	Ground
6	+5V	18	Ground
7	Ground	19	Ground
8	PWR OK	20	Res
9	5VSB	21	+5V
10	+12V	22	+5V
11	+12V	23	+5V
12	+3.3V	24	Ground

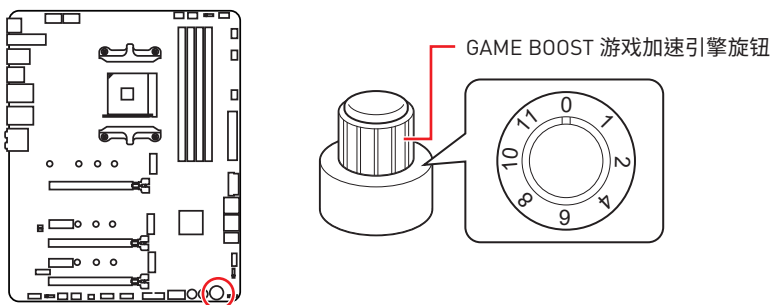


**注意**

确认所有接口都已正确的连接到 ATX 电源供应器上, 以确保主板稳定的运行。

## OC1: GAME BOOST 游戏加速引擎旋钮

此旋钮可以允许您在进行处理器超频时手动选择从数值 0 阶段 (默认) 至数值 11 (极端)。在您计算机开机后, 处理器的电压和频率将会自动调节。仅当已安装的处理器支持此功能时, 此功能才可用。



### 使用 GAME BOOST 游戏加速引擎旋钮

要设置 GAME BOOST 游戏加速引擎旋钮, 请采取以下步骤:

1. 在 BIOS 设置里设置 GAME BOOST 游戏加速引擎旋钮为硬件模式。
2. 关闭计算机电源。
3. 根据您的需要, 旋转 GAME BOOST 游戏加速引擎旋钮选择超频的阶段。

阶段	CPU 频率 (GHz)					
	锐龙 7		锐龙 5			锐龙 3
	2700X	2700	2600X	2600	2400G	2200G
0	3.7	3.2	3.6	3.4	3.6	3.2
1	4.1	3.6	4	3.8	3.8	3.6
2	4.15	3.65	4.05	3.85	3.85	3.65
4	4.2	3.7	4.1	3.9	3.9	3.7
6	4.25	3.75	4.15	3.95	3.95	3.75
8	4.3	3.8	4.2	4	4	3.8
10	4.35	3.85	4.25	4.05	4.05	3.85
11	4.4	3.9	4.3	4.1	4.1	3.9

4. 开机之后 GAME BOOST 游戏加速引擎将依您选定的阶段自动超频 CPU。

要禁用 GAME BOOST 游戏加速引擎:

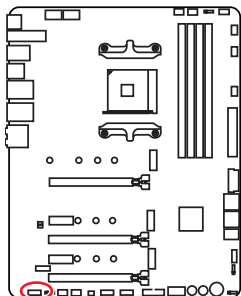
1. 在 BIOS 设置里设置 GAME BOOST 游戏加速引擎旋钮为硬件模式。
2. 关闭计算机电源。
3. 将 GAME BOOST 游戏加速引擎旋钮旋转到数值 0, 然后再开机。配置参数将返回到正常值。

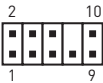
## 注意

- 您可以在 **BIOS 设置**中或使用 **MSI DRAGON CENTER** 软件操作 **GAME BOOST** 游戏加速引擎功能。
- 当您激活 **GAME BOOST** 游戏加速引擎功能,为了优化性能以及提高系统稳定性。请在 **BIOS > OC** 菜单设置中保留不变。
- 超频的成功与否取决于您的计算机的组件。
- 我们将不保证 **GAME BOOST** 游戏加速引擎超频范围,也不保障任何由超频行为导致的损坏和风险。
- 为了更好兼容性地使用 **GAME BOOST** 游戏加速引擎功能时,推荐使用微星组件。

## JAUD1: 前置音频接口

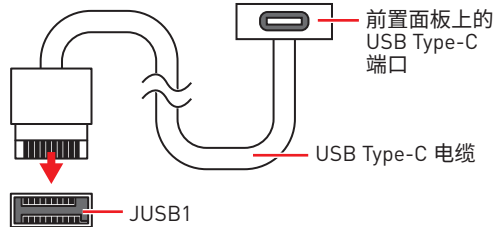
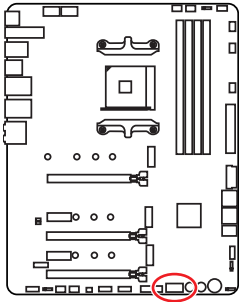
此接口允许您连接前置面板上音频插孔。



			
1	MIC L	2	Ground
3	MIC R	4	NC
5	Head Phone R	6	MIC Detection
7	SENSE_SEND	8	No Pin
9	Head Phone L	10	Head Phone Detection

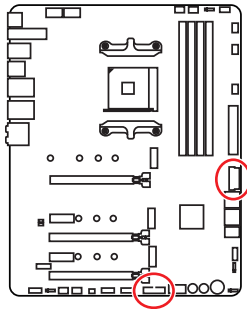
## JUSB1: USB 3.2 Gen 2 Type-C 接口

此接口允许您在前置面板上来连接 USB 3.2 Gen 2 Type-C 接口。该接口具有防呆设计。当您连接电缆时，请务必将其与相应的方向连接。



## JUSB2~3: USB 3.2 Gen1 接口

这些接口允许您在前置面板上来连接 USB 3.2 Gen1 端口。



JUSB3		JUSB2	
Pin	Signal	Pin	Signal
1	Power	11	USB2.0+
2	USB3_RX_DN	12	USB2.0-
3	USB3_RX_DP	13	Ground
4	Ground	14	USB3_TX_C_DP
5	USB3_TX_C_DN	15	USB3_TX_C_DN
6	USB3_TX_C_DP	16	Ground
7	Ground	17	USB3_RX_DP
8	USB2.0-	18	USB3_RX_DN
9	USB2.0+	19	Power
10	NC	20	No Pin

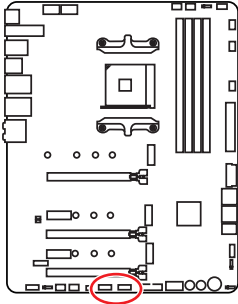


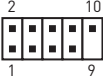
**注意**

请注意，电源和接地针脚必须正确连接以避免可能的损坏。

## JUSB4~5: USB 2.0 接口

这些接口允许您在前置面板上来连接 USB 2.0 端口。



			
1	VCC	2	VCC
3	USB0-	4	USB1-
5	USB0+	6	USB1+
7	Ground	8	Ground
9	No Pin	10	NC

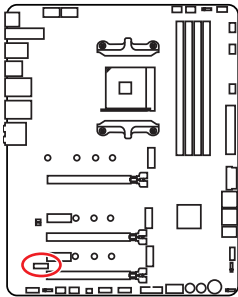



**注意**

- 请注意, VCC 和接地引脚必须正确连接以避免可能的损坏。
- 为了将您的 iPad, iPhone 和 iPod 通过 USB 端口进行充电, 请安装MSI® DRAGON CENTER 实用程序。

## JTPM1: TPM 模组接口

此接口是用来连接 TPM (安全平台模组)。请参考 TPM 安全平台手册以获得更多细节和用法。

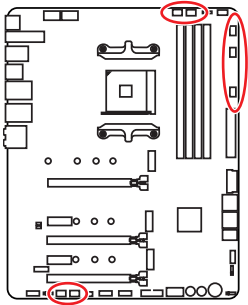


			
1	LPC Clock	2	3V Standby power
3	LPC Reset	4	3.3V Power
5	LPC address & data pin0	6	Serial IRQ
7	LPC address & data pin1	8	5V Power
9	LPC address & data pin2	10	No Pin
11	LPC address & data pin3	12	Ground
13	LPC Frame	14	Ground

## CPU\_FAN1, PUMP\_FAN1, SYS\_FAN1~5: 风扇接口

风扇接口可分为 PWM (脉冲宽度调制) 模式和 DC 模式。PWM 模式风扇接口使用速率控制信号提供恒定的 12V 输出和调节风扇速率。DC 模式风扇接口通过改变电压控制风扇速率。您可以按照以下说明将风扇接口调整为 PWM 模式或 DC 模式。

### 默认 PWM 模式风扇接口



CPU\_FAN1 / PUMP\_FAN1

### 默认 DC 模式风扇接口



SYS\_FAN1 & 3

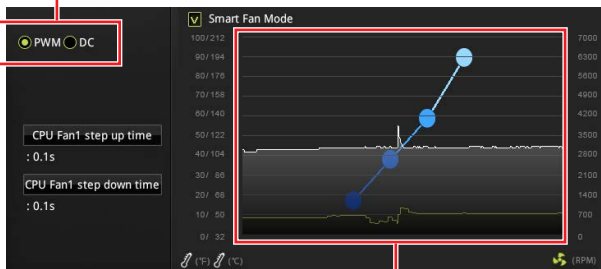


SYS\_FAN2, 4 & 5

## 切换风扇模式和调整风扇速率

您可以在 PWM 模式和 DC 模式之间切换，并在 **BIOS > HARDWARE MONITOR** 中调整风扇速率。

选择 PWM 模式或 DC 模式



提供风扇速率渐变梯度点，允许您以 CPU 的温度来调节风扇速率。



**注意**

确认在切换 PWM/ DC 模式后，风扇工作正常。

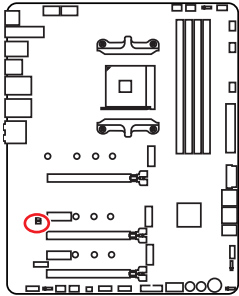
## 风扇接口引脚定义

PWM 模式引脚定义			
1	Ground	2	+12V
3	Sense	4	Speed Control Signal

DC 模式引脚定义			
1	Ground	2	Voltage Control
3	Sense	4	NC

## JCI1: 机箱入侵检测接口

此接口可用于连接机箱入侵检测开关线。



  
正常 (默认)

  
启用机箱入侵检测

### 使用机箱入侵检测器

1. JCI1 接口连接机箱上的机箱入侵检测开关和传感器。
2. 关闭机箱盖。
3. 转到 **BIOS > SETTINGS > Security > Chassis Intrusion Configuration**。
4. 设置 **Chassis Intrusion** 为 **Enabled**。
5. 按 **F10** 保存并退出, 然后按 **Enter** 键选择 **Yes**。
6. 当计算机开启时, 一旦打开机箱盖, 将会在屏幕上显示一个警告信息。

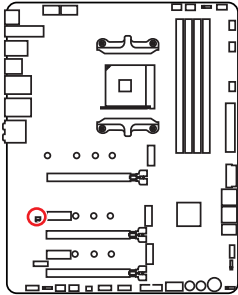
### 重设机箱入侵检测警告

1. 转到 **BIOS > SETTINGS > Security > Chassis Intrusion Configuration**。
2. 设置 **Chassis Intrusion** 为 **Reset**。
3. 按 **F10** 保存并退出, 然后按 **Enter** 键选择 **Yes**。



## JBAT1: 清除 CMOS (重启 BIOS) 跳线

主板上建有一个 CMOS 内存, 其中保存的系统配置数据需要通过一枚外置的电池来维持它。如果您想清除系统配置, 设置跳线清除 CMOS 内存。



保留数据  
(默认)



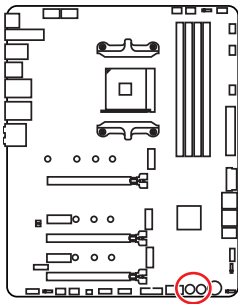
清除 CMOS / 重  
启 BIOS

### 重启 BIOS 为默认值

1. 关闭计算机电源, 并拔下电源插头。
2. 使用跳线帽让 **JBAT1** 短路持续约 5-10 秒。
3. 移除 **JBAT1** 上的跳线帽。
4. 插上电源插头并开启计算机上电源。

## POWER1, RESET1: 电源按钮, 重启按钮

此电源 / 重启按钮允许您打开 / 重启计算机。



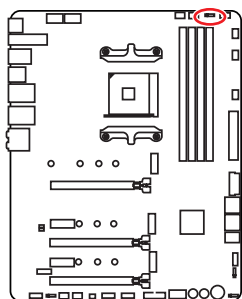
电源按钮



重启按钮

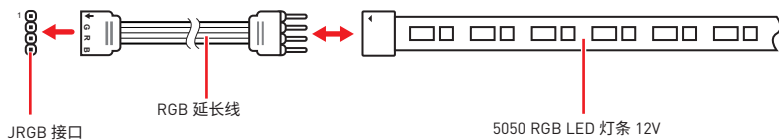
## JRGB1: RGB LED 接口

JRGB 接口允许您连接 5050 RGB LED 灯条12V。

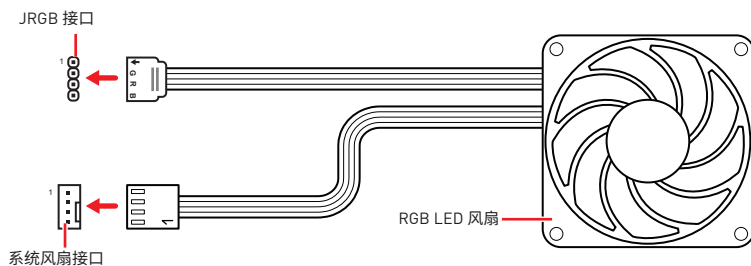


1			
1	+12V	2	G
3	R	4	B

### RGB LED 灯条连接



### RGB LED 风扇连接

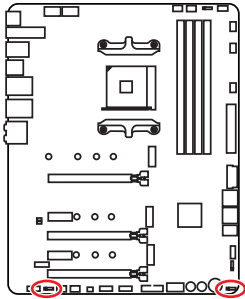


### ⚠ 注意

- JRGB 接口支持高达 2 米连续的 5050 RGB LED 灯条 (12V/G/R/B) 和最大额定功率3A (12V)。
- 在安装或拆卸 RGB LED 灯条时, 请先关闭电源, 并将电源线由插座上拔除。
- 请使用 MSI 软件来控制扩展 LED 灯条。

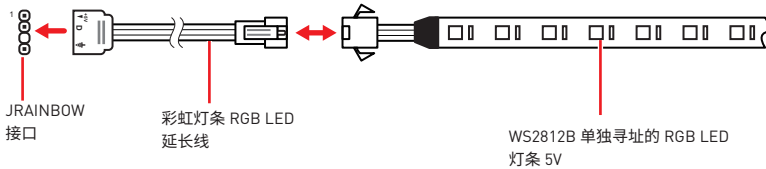
## JRAINBOW1~2: 寻址 RGB LED 接口

JRAINBOW 接口允许您连接 WS2812B 单独寻址 RGB LED 灯条 5V。

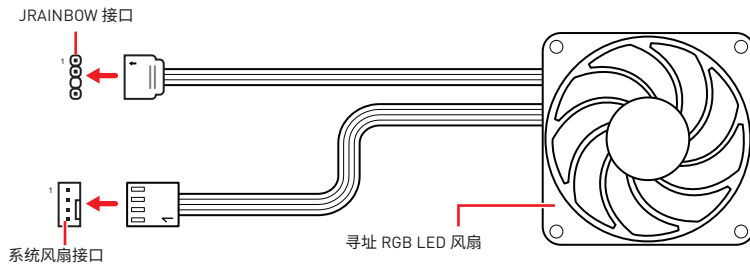


1			
1	+5V	2	Data
3	No Pin	4	Ground

### 寻址 RGB LED 灯条连接



### 寻址 RGB LED 风扇连接



### 警告

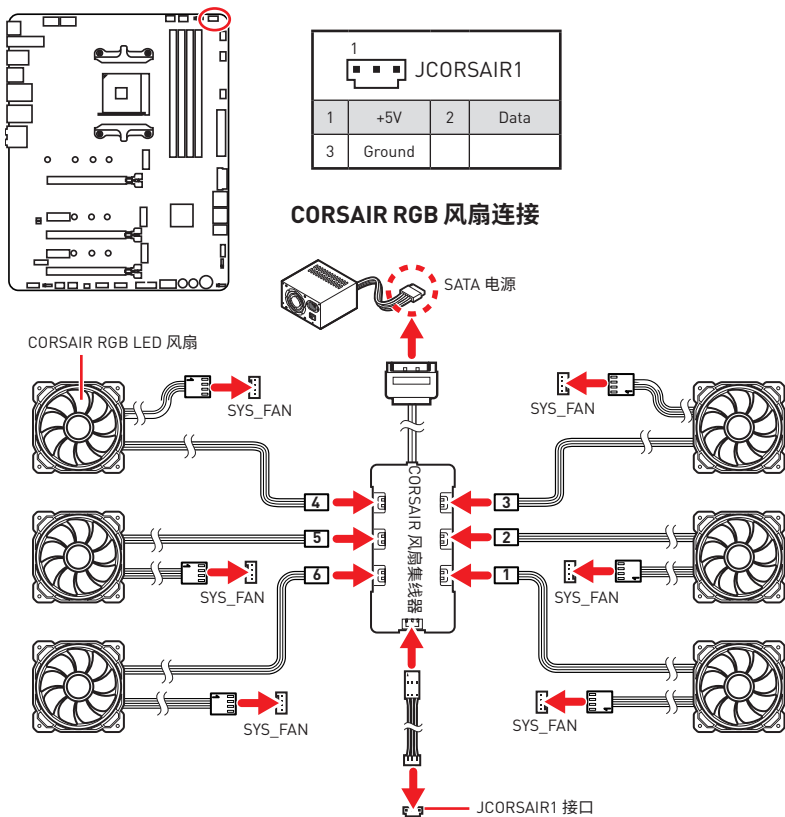
不要连接错误类型的 LED 灯条。JRGB 接口和 JRAINBOW 接口提供不同的电压，如将 5V LED 灯条连接到 JRGB 接口将会损坏 LED 灯条。

### 注意

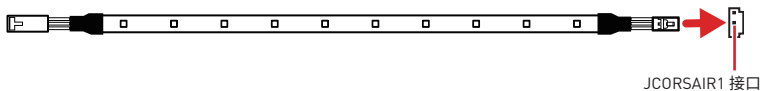
- JRAINBOW 支持多达 75 个 LED WS2812B 单独寻址 RGB LED 灯条 (5V/Data/Ground) 和最大额定功率 3A (5V)。在亮度为 20% 情况下，最多连接数量可支持 200 个 LED。
- 在安装或拆卸 RGB LED 灯条时，请先关闭电源，并将电源线由插座上拔除。
- 请使用 MSI 软件来控制扩展 LED 灯条。

## JCORSAIR1: CORSAIR 接口

JCORSAIR1 接口允许让您连接 CORSAIR 单独寻址 Lighting PRO RGB LED 灯条 5V 或透过 CORSAIR 风扇集线器连接 CORSAIR RGB 风扇。一旦所有项目连接正确,您就可以使用 MSI 软件控制 CORSAIR RGB LED 灯条和风扇。



### CORSAIR Lighting Node PRO 连接



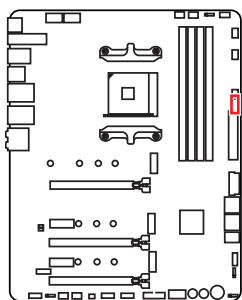
### ⚠ 注意

- 连接风扇与 CORSAIR 风扇集线器时,请依 1 > 2 > 3 > 4 > 5 > 6 的顺序。如果以错误顺序连接风扇,通信将受到干扰,RGB LED lighting 功能将不工作。
- 不同型号的 RGB LED 风扇或 RGB LED Lighting PRO 灯条的数量可能有所不同。请参阅主板规格更多的信息。
- CORSAIR RGB LED 风扇和 CORSAIR Lighting Node PRO 不能同时使用。

# 板载 LED 灯

## 简易侦错 LED 灯

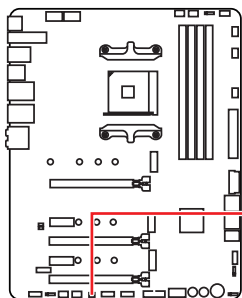
LED 指示灯在主板中的侦错状态。



- CPU - 表示 CPU 无法检测或故障。
- DRAM - 表示 DRAM 无法检测或故障。
- VGA - 表示 CPU 无法检测或故障。
- BOOT - 表示启动设备无法检测或故障。

## JPWRLED1: LED 电源输入

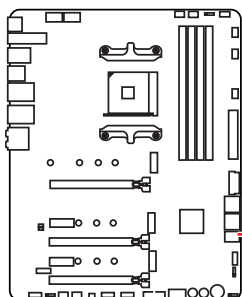
此接口是被零售商用来演示板载 LED 灯。



JPWRLED1 - LED 电源输入

## 侦错代码 LED 灯

开机并在 POST 之后, 侦错代码 LED 灯将会显示进度和错误代码。详情请参阅侦错代码 LED 灯表。



侦错代码 LED 灯

## 十六进制字符表

十六进制	0	1	2	3	4	5	6	7	8	9	A	B	C	D	E	F
侦错代码 LED 灯显示	0	1	2	3	4	5	6	7	8	9	A	b	c	d	e	F

## 启动阶段

**安全 (SEC) - 最低级初始化**

**Pre-EFI 初始化 (PEI) - 内存初始化**

**驱动执行环境 (DXE) - 主要硬件初始化**

**启动设备选择 (BDS) - 系统设置, 预操作系统用户界面和引导设备选择 (CD/DVD, 一般硬盘, USB, 网络, 计算机壳层(shell), ...)**

## 侦错代码 LED 灯表

### SEC 进度代码

01	开机。重启类型检测 (软件/硬件)
02	AP 微代码(Microcode)加载前初始化
03	系统助手(System Agent)微代码(Microcode)加载前初始化
04	PCH 微代码(Microcode)加载前初始化
06	微代码(Microcode)加载
07	AP 微代码(Microcode)加载后初始化
08	系统助手(System Agent)微代码(Microcode)加载后初始化
09	PCH 微代码(Microcode)加载后初始化
0B	高速缓存初始化

### SEC 错误代码

0C - 0D	预留给将来的 AMI SEC 错误代码
0E	未发现微代码(Microcode)
0F	未加载微代码(Microcode)

### PEI 进度代码

10	PEI 核心开始
11	开始预内存 CPU 初始化
12 - 14	预内存 CPU 初始化 (特定 CPU 模块)
15	开始预内存系统助手(System Agent)初始化
16 - 18	预内存系统助手(System Agent)初始化(特定系统助手(System Agent)模块)
19	开始预内存 PCH 初始化
1A - 1C	预内存 PCH 初始化 (特定 PCH 模块)
2B	内存初始化。串行存在检测 (SPD) 数据读取

2C	内存初始化。检测安插的内存
2D	内存初始化。编程内存时序信息
2E	内存初始化。配置内存
2F	内存初始化 (其他)
31	安装内存
32	开始 CPU 后内存初始化
33	CPU 后内存初始化。高速缓存初始化
34	CPU 后内存初始化。应用处理器(s) (AP) 初始化
35	CPU 后内存初始化。启动捆绑处理器 (BSP) 选择
36	CPU 后内存初始化。系统管理模式 (SMM) 初始化
37	开始后内存系统助手(System Agent)初始化
38 - 3A	后内存系统助手(System Agent)初始化 (特定系统助手(System Agent)模块)
3B	开始后内存 PCH 初始化
3C - 3E	后内存 PCH 初始化 (特定 PCH 模块)
4F	开始 DXE IPL

## PEI 错误代码

4B	内存无法安装 (对于 Summit CPU)
E0	内存无法安装 (对于 Bristol CPU)

## DXE 进度代码

60	DXE 核心开始
61	NVRAM 初始化
62	安装 PCH 运行时服务
63	开始 CPU DXE 初始化
64 - 67	CPU DXE 初始化 (特定 CPU 模块)
68	PCI 主桥初始化
69	开始系统助手(System Agent) DXE 初始化
6A	开始系统助手(System Agent) DXE SMM 初始化
6B - 6F	系统助手(System Agent) DXE 初始化 (特定系统助手(System Agent)模块)
70	开始 PCH DXE 初始化
71	开始 PCH DXE SMM 初始化
72	PCH 设备初始化
73 - 77	PCH DXE 初始化 (特定 PCH 模块)
78	ACPI 模块初始化
79	CSM 初始化
7A - 7F	预留给将来的 AMI DXE 代码
90	开始后启动设备选择 (BDS) 阶段
91	开始设备连接
92	开始 PCI 总线初始化

93	PCI 总线热插拔控制器初始化
94	PCI 总线列举 (Enumeration) 32
95	PCI 总线请求资源
96	PCI 总线分配资源
97	控制台输出设备连接
98	控制台输入设备连接
99	超级 IO 初始化
9A	开始 USB 初始化
9B	USB 重启
9C	USB 检测
9D	USB 启用
9E -9F	预留给将来的 AMI 代码
A0	开始 IDE 初始化
A1	IDE 重启
A2	IDE 检测
A3	IDE 启用
A4	开始 SCSI 初始化
A5	SCSI 重启
A6	SCSI 检测
A7	SCSI 启用
A8	设置验证密码
A9	开始设置
AB	设置输入等待
AD	准备启动事件
AE	传统启动事件
AF	退出启动服务事件
B0	开始运行时设置虚拟地址 MAP
B1	结束运行时设置虚拟地址 MAP
B2	Legacy 可选 ROM 初始化
B3	系统重启
B4	USB 热插拔
B5	PCI 总线热插拔
B6	清理 NVRAM
B7	配置重启 ( NVRAM 设置重启)
B8 - BF	预留给将来的 AMI 代码

## DXE 错误代码

D0	CPU 初始化错误
D1	系统助手(System Agent)初始化错误
D2	PCH 初始化错误



D3	某些架构协议将无法使用
D4	PCI 资源分配错误。资源不足
D5	没有空间供 Legacy 可选 ROM
D6	未发现任何控制台输出设备
D7	未发现任何控制台输入设备
D8	密码无效
D9	错误加载启动选项 (LoadImage 返回错误)
DA	启动选项失败 (StartImage 返回错误)
DB	Flash 更新失败
DC	重启协议不可用

### S3 重启进度代码

E0	S3 重启开始(由 DXE IPL 调用 S3 重启 PPI )
E1	S3 启动脚本执行
E2	视频转发
E3	操作系统 S3 唤醒矢量调用
E4 - E7	预留给将来的 AMI 进度代码

### S3 重启错误代码

E8	S3 重启失败
E9	未发现 S3 重启 PPI
EA	S3 重启启动脚本错误
EB	S3 操作系统唤醒错误
EC - EF	预留给将来的 AMI 错误代码

### 恢复进度代码

F0	由固件触发恢复条件 (自动恢复)
F1	由用户触发恢复条件 (强制恢复)
F2	恢复过程启动
F3	发现恢复固件图像
F4	加载恢复固件图像
F5 - F7	预留给将来的 AMI 进度代码

### 恢复错误代码

F8	恢复 PPI 将无法使用
F9	未发现恢复封包
FA	无效的恢复封包
FB - FF	预留给将来的 AMI 错误代码

## ACPI 状态代码

开机后且操作系统为 ACPI 模式时将出现下面的代码。

01	系统进入 S1 睡眠状态
02	系统进入 S2 睡眠状态
03	系统进入 S3 睡眠状态
04	系统进入 S4 睡眠状态
05	系统进入 S5 睡眠状态
10	系统从 S1 睡眠状态唤醒
20	系统从 S2 睡眠状态唤醒
30	系统从 S3 睡眠状态唤醒
40	系统从 S4 睡眠状态唤醒
AC	系统转换到 ACPI 模式。中断控制器为 PIC 模式。
AA	系统转换到 ACPI 模式。中断控制器为 APIC 模式。

# 安装操作系统, 驱动程序和工具程序

请通过 [www.msi.com](http://www.msi.com) 下载并更新最新的工具程序和驱动程序

## 安装 Windows® 10

1. 启动计算机电源。
2. 将 Windows® 10 安装光盘/ USB 插入计算机。
3. 按下计算机上的 **Restart** 按钮。
4. 计算机 POST (开机自我测试) 过程中按 **F11** 键进入启动菜单。
5. 从引导菜单中选择 Windows® 10 安装光盘/USB。
6. 当屏幕显示 **Press any key to boot from CD or DVD...** 信息时按住任意键。
7. 按照屏幕上的指示操作安装 Windows® 10。

## 安装驱动

1. 启动您的计算机进入 Windows® 10。
2. 将 MSI® 驱动光盘放入您光驱中。
3. 点击 **Select to choose what happens with this disc** 弹出式通知, 然后选择 **Run DVDSetup.exe** 来打开安装程序。如果从 Windows 控制面板关闭 AutoPlay 功能, 您仍然可以从 MSI 驱动程序光盘的根路径手动执行 **DVDSetup.exe**。
4. 安装程序将在 **Drivers/Software** 选项卡中查找并列出所有必要的驱动程序。
5. 点击窗口右下角的 **Install** 按钮。
6. 驱动程序的安装将继续进行, 完成后将提示您重新启动。
7. 点击 **OK** 按钮完成安装。
8. 重新启动您的电脑。

## 安装工具

在安装工具前, 您需先完成驱动的安装。

1. 如上所述打开安装程序。
2. 点击 **Utilities** 选项卡。
3. 选择您需要安装的工具。
4. 点击窗口右下角的 **Install** 按钮。
5. 工具安装开始进行, 完成安装后将提醒您重启。
6. 点击 **OK** 按钮完成安装。
7. 重新启动您的电脑。

# BIOS 设置

在正常情况下，默认设置为系统稳定提供最佳性能。您应该**始终保持默认设置**，以避免可能出现的系统损坏或无法开机，除非您熟悉 BIOS 设置。



- 为了获得更好的系统性能，BIOS 项目描述不断更新。因此，这些描述可能有些稍微的不同，仅供参考。您也可以参考 BIOS 项目描述的**帮助**信息面板。
- 本章中的图片仅供参考，可能与您所购买的产品而有差异。
- BIOS 项目将随处理器而变化。

## 进入 BIOS 设置

在开机程序中，当屏幕上出现 **Press DEL key to enter Setup Menu, F11 to enter Boot Menu** 信息，按下 **Delete** 键

### 功能键

- F1:** 主题帮助
- F2:** 添加/删除一个最喜欢的项目
- F3:** 进入 Favorites 客制化选单功能菜单
- F4:** 进入 CPU 规格菜单
- F5:** 进入 Memory-Z 菜单
- F6:** 载入优化设置默认值
- F7:** 高级模式 and EZ 模式之间切换
- F8:** 载入超频参数
- F9:** 保存超频参数
- F10:** 保存更改并重新启\*
- F12:** 采取截图并将其保存到 U 盘中 (仅适用于 FAT/ FAT32 格式)。
- Ctrl+F:** 进入搜索页面

\* 当您按 F10 时，会出现一个确认窗口，它提供了变更信息。请依您的需求选择 Yes 或 No。

## 重启 BIOS

您可能需要还原默认的 BIOS 设置来解决某些问题。有几种方法来重启 BIOS：

- 转到 BIOS, 然后按 **F6** 载入优化设置默认值。
- 短路主板上的清除 CMOS 跳线。



在清除 CMOS 数据之前, 请确保计算机已关机。请参考清除 CMOS 跳线部分, 以了解重启 BIOS 的相关信息。

## 更新 BIOS

### 使用 M-FLASH 更新 BIOS

更新前：

请从 MSI 的网站下载符合您主板型号的最新 BIOS 文件。然后将 BIOS 文件保存到 U 盘中。

更新 BIOS：

1. POST 过程中按 Del 键进入 BIOS 设置。
2. 插入内有欲更新文件的 U 盘到计算机上。
3. 选择 **M-FLASH** 选项卡并点击 **Yes**, 可重新启动系统以及进入 flash 模式。
4. 选择一个 BIOS 文件执行 BIOS 更新过程。
5. 刷新 100% 完成后, 系统将自动重启。

### 使用 MSI DRAGON CENTER 更新 BIOS

更新前：

请确认已安装 LAN 驱动程序以及正确设置因特网连接。

更新 BIOS：

1. 安装并运行 MSI DRAGON CENTER。
2. 选择 **BIOS Update**。
3. 点击 **Scan** 按钮。
4. 点击 **Download** 图标下载并安装最新的 BIOS 文件。
5. 单击 **Next**, 选择 **In Windows mode**。然后再单击 **Next** 以及 **Start** 以开始更新 BIOS。
6. 刷新 100% 完成后, 系统将自动重启。

## 使用更新 BIOS 按钮更新 BIOS

更新前：

请从 MSI® 网站下载符合您主板型号的最新 BIOS 文件并重新命名 BIOS 文件为 **MSI.ROM**。然后，将 **MSI.ROM** 文件保存到 U 盘的根本目录中。



只有 FAT32 格式的 U 盘支持通过**更新 BIOS 按钮**更新 BIOS。

1. 连接电源供应器到 **CPU\_PWR1** 和 **ATX\_PWR1**。(只需连接电源供应器，不需连接其他组件。)
2. 插入内有 MSI.ROM 文件的 U 盘到后置 I/O 面板的**更新 BIOS** 端口上。
3. 按**更新 BIOS** 按钮来刷新 BIOS，并且按钮 LED 开始闪烁。
4. 刷新的 BIOS 进程完成 100% 后，LED 将同时熄灭。

## EZ 模式

EZ 模式，它提供了基本的系统信息，并允许您配置基本设置。请通过按**设置模式开关**或**F7** 功能键进入高级模式下，来配置高级 BIOS 设置。



● **GAME BOOST 游戏加速引擎开关 (选择性配置)** - 点击中心按钮在 **GAME BOOST 游戏加速引擎控制 软件 (SW)** 以及 **硬件 (HW)** 之间切换。GAME BOOST 游戏加速引擎的内圈代表硬件目前的阶段而外圈代表软件目前的阶段。您可以通过点击右下角的**问号**图标来读取每个 GAME BOOST 游戏加速引擎阶段的 CPU 频率。此功能仅在处理器及内存模块支持此功能时可用。



### 注意

激活 **GAME BOOST 游戏加速引擎** 功能后，请勿更改 OC 菜单并且不要加载默认值，以保持最佳的性能和系统稳定性。

● **A-XMP 开关 (选择性配置)** - 点击内圈开启或关闭 A-XMP。切换外圈来选内存配置文件 (如果有)。此开关仅在处理器及内存模块支持 A-XMP 功能时可用。

● **设置模式开关** - 按此选项卡或 **F7** 键至高级模式 and EZ 模式之间切换。

● **截图** - 点击此选项卡或 **F12** 键来采取截图并将其保存到 USB 启动盘中 (仅适用于 FAT/ FAT32 格式)。

● **搜索** - 点击此选项卡或 **Ctrl+F** 键，搜索页面将显示。它可以让您通过关键字搜索 BIOS 项目。将鼠标移动到空白处，然后右键单击鼠标退出搜索页面。



### 注意

在搜索页面中，只有 **F6**、**F10** 和 **F12** 功能键可用。

● **语言** - 允许您选择 BIOS 设置语言。

● **系统信息** - 显示 CPU/ DDR 速率，CPU/ MB 温度，MB/ CPU 类型，内存大小，CPU/ DDR 电压，BIOS 版本和创建日期。

- **启动设备优先权栏** - 您可以移动设备图标来改变启动设备优先权。从高到低的引导优先级是左到右。
- **信息显示** - 点击在左侧的 **CPU, Memory, Storage, Fan Info** 以及 **Help** 按钮来显示相关信息。
- **功能按钮** - 通过点击它们各自的按钮启用或禁用 **LAN 可选 ROM, ErP Ready, AHCI/RAID, 指示 LED 控制, BIOS UEFI/CSM 模式和 RGB 灯控制**。
- **M-Flash** - 点击此按钮可以执行 **M-Flash** 功能, 它提供以 USB 启动盘方式来更新 BIOS。
- **硬件监视器** - 点击此按钮可以显示 **Hardware Monitor** 菜单, 允许您通过百分比设置控制风扇转速。
- **Favorites 客制化选单功能** - 按下 **F3** 键即可进入 **Favorites 客制化选单功能** 菜单。它允许您创建您的个人 BIOS 菜单, 您可以保存和访问最喜欢/最常用 BIOS 设置系统。
  - **默认主页** - 允许您选择 BIOS 菜单 (例如: SETTINGS 菜单, OC 菜单..., 等) 作为 BIOS 主页。
  - **Favorite1~5 (最爱 1~5)** - 允许您将经常使用/爱好的 BIOS 设置选项加入到一个页面中。
  - **将 BIOS 选项加入到一个最爱页面中 (最爱 1~5)**
    1. 将鼠标移动到 BIOS 选项上, 包含 BIOS 菜单及搜索页面。
    2. 单击右键或按 **F2** 键。
    3. 选择一个最爱的页面, 然后点击 **OK**。
  - **从最爱页面中删除 BIOS 选项**
    1. 将鼠标移动到最爱的页面一个 BIOS 选项 (最爱 1~5)
    2. 单击右键或按 **F2** 键。
    3. 选择 **Delete** 并点击 **OK**。



## 高级模式

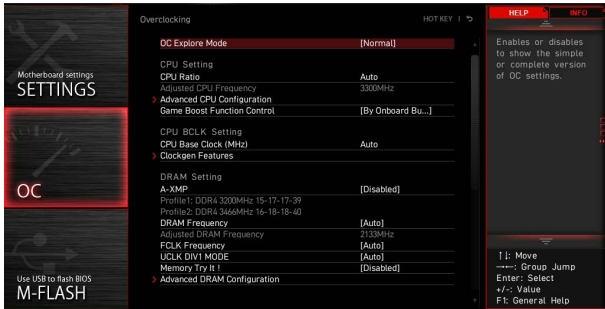
在 BIOS 设置中按**设置模式开关**或 **F7** 功能键可以在 EZ 模式和高级模式之间进行切换。



- **BIOS 菜单选择** - 下列选项是可用的：
  - **SETTINGS** - 允许您来指定芯片组和启动设备的参数。
  - **OC** - 允许您来调整频率和电压，增加频率可能获得更好的性能。
  - **M-FLASH** - 提供 USB 启动盘来更新 BIOS。
  - **OC PROFILE** - 允许您管理超频配置文件。
  - **HARDWARE MONITOR** - 允许您来设置风扇速度和检测系统电压。
  - **BOARD EXPLORER** - 提供主板上已安装的设备信息。
- **菜单显示** - 提供了可配置的 BIOS 设置和信息。

## OC 菜单

此菜单为想要对主板超频的高级用户提供。



### ⚠ 注意

- 仅建议高级用户手动超频您的电脑。
- 超频没有任何保障，不正确的操作可能导致保修无效或严重损坏您的硬件。
- 如果您对超频不熟悉，我们建议您使用易超频的 **GAME BOOST 游戏加速引擎** 功能选项。
- OC 菜单中的 BIOS 项目将随处理器而变化。

#### ► OC Explore Mode [Normal]

开启或关闭对超频设置的一般或专业版本的显示。

[Normal] 在 BIOS 设置中提供正常的超频设置。

[Expert] 在 BIOS 设置中提供专业超频设置为有经验用户来配置。

注意: 对于专业模式超频设置我们使用 \* 作为标志。

#### ► CPU Ratio [Auto]

此项调整 CPU 倍频以决定 CPU 时脉速度。此项仅在处理器支持此功能时出现。

#### ► Advanced CPU Configuration

按 **Enter** 进入子菜单。用户可以为设置 CPU 功率/电流。参数变更后系统可能变得不稳定或无法启动。如果发生这种情况，请清除 CMOS 数据并且恢复默认设置。

#### ► Game Boost Function Control [By Onboard Button]

可通过 BIOS 中的虚拟按钮或主板上的实体按钮开启 GAME BOOST 游戏加速引擎功能。

#### ► A-XMP [Disabled]

请开启 A-XMP 或选择内存模组配置文件以超频内存。此项在安装的处理器，内存模块和主板支持此功能时可用。

### ▶ DRAM Frequency [Auto]

设置内存频率选项。请注意我们无法保证超频动作。

### ▶ FCLK Frequency [Auto]

设置 FCLK 频率 (DRAM 的内部数据结构时钟)。请注意我们无法保证超频动作。

### ▶ UCLK DIV1 Mode [Auto]

设置 UCLK (内部内存控制器时钟) 模式。

### ▶ Memory Try It ! [Disabled]

此功能通过选择最优化的内存预设值来提高内存兼容性和性能。

### ▶ Adjusted DRAM Frequency

显示已调整的内存频率。只读。

### ▶ Advanced DRAM Configuration

按 **Enter** 进入子菜单。用户可以为内存的每个/所有通道设置内存时序。内存时序改变后系统可能变得不稳定或无法启动。如果发生这种情况,请清除 CMOS 数据并且恢复默认设置。(参阅清除 CMOS 跳线章节来清除 CMOS 数据,并进入 BIOS 加载默认设置。)

### ▶ DigitALL Power

按 **Enter** 进入子菜单。控制与 CPU PWM 相关联的数字供电。

#### ▶ CPU Loadline Calibration Control [Auto]

CPU 电压会根据 CPU 的负载呈比例性递减。本项目重载线校准越高时,将可提高电压值与超频能力,但也会增加 CPU 以及 VRM 的温度。如果设置为 **Auto**, BIOS 将自动设置此功能。

#### ▶ CPU Over Voltage Protection [Auto]

设置 CPU 过高电压保护极限值。如果设置为 **Auto**, BIOS 将自动配置此设置。电压设定越高,保护功能越弱。并且可能毁坏系统。

#### ▶ CPU Under Voltage Protection [Auto]

设置 CPU 过低电压保护极限值。如果设置为 **Auto**, BIOS 将自动配置此设置。电压设定越高,保护功能越弱。并且可能毁坏系统。

#### ▶ CPU Over Current Protection [Auto]

设置 CPU 过高电流保护极限值。如果设置为 **Auto**, BIOS 将自动配置此设置。

[Auto] 此设置由 BIOS 自动配置。

[Enhanced] 增强对过高电流保护电流范围。

#### ► CPU NB Loadline Calibration Control [Auto]

CPU-NB 电压会根据 CPU-NB 的负载呈比例性递减。本项目重载线校准越高时,将可提高电压值与超频能力,但也会增加温度。如果设置为 **Auto**, BIOS 将自动设置此功能。

#### ► CPU Voltages control [Auto]

这些选项允许您设置与 CPU 相关的指定电压。如果设置为 **Auto**, BIOS 将自动设置电压或者您可以手动地设置它。

#### ► DRAM Voltages control [Auto]

这些选项允许您设置与内存相关的指定电压。如果设置为 **Auto**, BIOS 将自动设置电压或者您可以手动地设置它。

#### ► Memory Changed Detect [Enabled]\*

此项开启或关闭内存变更后,系统开机发出警告信息。

[Enabled] 系统会在开机时发出警告信息和您必须为新设备载入默认值。

[Disabled] 关闭此功能,当 CPU 或内存更改时,仍使用当前设置。

#### ► CPU Specifications

按 **Enter** 进入子菜单。此子菜单高亮显示您 CPU 所有键的属性。您也可以通过按 [F4] 在任何时间访问此信息。只读。

#### ► CPU Technology Support

按 **Enter** 进入子菜单。此子菜单显示安装 CPU 的键功能。只读。

#### ► MEMORY-Z

按 **Enter** 进入子菜单。此子菜单显示所有设置和已安装内存时序。您也可以任何时间通过长按 [F5] 来访问此信息。

#### ► DIMMx Memory SPD

按下 **Enter** 进入子菜单。子菜单显示已安装内存信息。只读。

#### ► CPU Features

按 **Enter** 进入子菜单。

#### ► Simultaneous Multi-Threading [Enabled] (选择性配置)

开启/关闭 AMD Simultaneous Multi-Threading。此项在安装的 CPU 支持此技术时出现。

#### ► Global C-state Control [Enabled] (选择性配置)

开启/关闭 IO based C-state generation 和 DF C-states。

### ► OpCache Control [Auto] (选择性配置)

开启/关闭 OpCache。本项目存储最近解码指令,以节省当指令被重复时的解码时间。并且可能会提高 CPU 性能并略微降低功耗。

### ► IOMMU Mode (选择性配置)

开启/关闭 I/O 虚拟化的 IOMMU (I/O Memory Management Unit)。

### ► Spread Spectrum (选择性配置)

此功能可以降低 脉冲发生器所产生的 EMI (电磁干扰)。

[Enabled] 开启 spread spectrum (展频) 功能以减少 EMI (电磁干扰) 的问题。

[Disabled] 提高 CPU 基频的超频能力。



### 注意

- 如果您没有任何 EMI 方面的问题,要使系统获得最佳的稳定性和性能,请设置为 [Disabled]。但是,如果您被 EMI 所干扰的话,请选择 Spread Spectrum (展频) 的值,以减少 EMI。
- Spread Spectrum (展频) 的值越高,EMI 会减少,系统的稳定性也相应的降低。要为 Spread Spectrum (展频) 设定一个最合适值,请参考当地的 EMI 规章。
- 当您超频时,请关闭 Spread Spectrum (展频),因为即使一个很微小峰值漂移也会引入时钟速率的短暂推动,这样会导致您超频的处理器锁死。

### ► Relaxed EDC throttling [Auto] (选择性配置)

Relaxed EDC 节流减少处理器控制核心节流的时间。

[Auto] AMD 的建议。

[Enabled] 减少处理器节流的时间。

[Disabled] 开启特定于零件的 EDC 限流保护。

### ► AMD Cool'n'Quiet [Enabled]

Cool'n'Quiet 技术可以有效并动态地降低 CPU 频率和能量消耗。

### ► SVM Mode [Enabled]

开启/关闭 AMD SVM (Secure Virtual Machine) 模式。

### ► BIOS PSP Support [Enabled] (选择性配置)

开启/关闭 BIOS PSP 支持。此项目管理 PSP 子项目,包括所有 C2P / P2C 邮箱,Secure S3, fTPM 支持。

### ► Power Supply Idle Control [Auto] (选择性配置)

本项目允许您在所有内核处于非-CO 状态时选择 CPU 的节电控制模式。如果设置为 Auto, BIOS 将配置此设置。



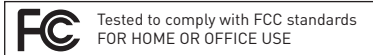
# Regulatory Notices

## FCC Compliance Statement

Note: This equipment has been tested and found to comply with the limits for a Class B digital device, pursuant to part 15 of the FCC Rules. These limits are designed to provide reasonable protection against harmful interference in a residential installation. This equipment generates, uses and can radiate radio frequency energy and, if not installed and used in accordance with the instructions, may cause harmful interference to radio communications. However, there is no guarantee that interference will not occur in a particular installation. If this equipment does cause harmful interference to radio or television reception, which can be determined by turning the equipment off and on, the user is encouraged to try to correct the interference by one or more of the following measures:

- Reorient or relocate the receiving antenna.
- Increase the separation between the equipment and receiver.
- Connect the equipment into an outlet on a circuit different from that to which the receiver is connected.
- Consult the dealer or an experienced radio/TV technician for help.

Caution: Changes or modifications not expressly approved by the party responsible for compliance could void the user's authority to operate the equipment.



This device complies with part 15 of the FCC Rules. Operation is subject to the following two conditions: (1) This device may not cause harmful interference, and (2) this device must accept any interference received, including interference that may cause undesired operation.

## CE Conformity

**CE** Products bearing the CE marking comply with one or more of the following EU Directives as may be applicable:

RED 2014/53/EU; Low Voltage Directive 2014/35/EU; EMC Directive 2014/30/EU; RoHS Directive 2011/65/EU. Compliance with these directives is assessed using applicable European Harmonized Standards. The point of contact for regulatory matters is MSI, MSI-NL Eindhoven 5706 5692 ER Son.

## B급 기기 (가정용 방송통신기자재)

**K** 이 기기는 가정용(B급) 전자파적합기기로서 주로 가정에서 사용하는 것을 목적으로 하며, 모든 지역에서 사용할 수 있습니다.

## クラスB情報技術装置

**VCI** この装置は、クラスB情報技術装置です。この装置は、家庭環境で使用することを目的としていますが、この装置がラジオやテレビジョン受信機に近接して使用されると、受信障害を引き起こすことがあります。取扱説明書に従って正しい取り扱いをして下さい

**VCCI-B**

## C-Tick Compliance



## Battery Information

European Union:



Batteries, battery packs, and accumulators should not be disposed of as unsorted household waste. Please use the public collection system to return, recycle, or treat them in compliance with the local regulations.

Taiwan:



廢電池請回收

For better environmental protection, waste batteries should be collected separately for recycling or special disposal.

California, USA:



The button cell battery may contain perchlorate material and requires special handling when recycled or disposed of in California.

For further information please visit:

<http://www.dtsc.ca.gov/hazardouswaste/perchlorate/>

CAUTION: There is a risk of explosion, if battery is incorrectly replaced. Replace only with the same or equivalent type recommended by the manufacturer.

## Chemical Substances Information

In compliance with chemical substances regulations, such as the EU REACH Regulation [Regulation EC No. 1907/2006 of the European Parliament and the Council], MSI provides the information of chemical substances in products at: [http://www.msi.com/html/popup/csr/evmtrpt\\_pcm.html](http://www.msi.com/html/popup/csr/evmtrpt_pcm.html)

## Environmental Policy

- The product has been designed to enable proper reuse of parts and recycling and should not be thrown away at its end of life.
- Users should contact the local authorized point of collection for recycling and disposing of their end-of-life products.
- Visit the MSI website and locate a nearby distributor for further recycling information.
- Users may also reach us at [gpcontdev@msi.com](mailto:gpcontdev@msi.com) for information regarding proper Disposal, Take-back, Recycling, and Disassembly of MSI products.



## WEEE (Waste Electrical and Electronic Equipment) Statement

ENGLISH

To protect the global environment and as an environmentalist, MSI must remind you that...



Under the European Union ("EU") Directive on Waste Electrical and Electronic Equipment, Directive 2002/96/EC, which takes effect on August 13, 2005, products of "electrical and electronic equipment" cannot be discarded as municipal wastes anymore, and manufacturers of covered electronic equipment will be obligated to take back such products at the end of their useful life. MSI will comply with the product take back requirements at the end of life of MSI-branded products that are sold into the EU. You can return these products to local collection points.

#### DEUTSCH

Hinweis von MSI zur Erhaltung und Schutz unserer Umwelt

Gemäß der Richtlinie 2002/96/EG über Elektro- und Elektronik-Altgeräte dürfen Elektro- und Elektronik-Altgeräte nicht mehr als kommunale Abfälle entsorgt werden. MSI hat europaweit verschiedene Sammel- und Recyclingunternehmen beauftragt, die in die Europäische Union in Verkehr gebrachten Produkte, am Ende seines Lebenszyklus zurückzunehmen. Bitte entsorgen Sie dieses Produkt zum gegebenen Zeitpunkt ausschließlich an einer lokalen Altgerätesammelstelle in Ihrer Nähe.

#### FRANÇAIS

En tant qu'écologiste et afin de protéger l'environnement, MSI tient à rappeler ceci... Au sujet de la directive européenne (EU) relative aux déchets des équipements électriques et électroniques, directive 2002/96/EC, prenant effet le 13 août 2005, que les produits électriques et électroniques ne peuvent être déposés dans les décharges ou tout simplement mis à la poubelle. Les fabricants de ces équipements seront obligés de récupérer certains produits en fin de vie. MSI prendra en compte cette exigence relative au retour des produits en fin de vie au sein de la communauté européenne. Par conséquent vous pouvez retourner localement ces matériels dans les points de collecte.

#### РУССКИЙ

Компания MSI предпринимает активные действия по защите окружающей среды, поэтому напоминаем вам, что.... В соответствии с директивой Европейского Союза (ЕС) по предотвращению загрязнения окружающей среды использованным электрическим и электронным оборудованием (директива WEEE 2002/96/EC), вступающей в силу 13 августа 2005 года, изделия, относящиеся к электрическому и электронному оборудованию, не могут рассматриваться как бытовой мусор, поэтому производители вышеперечисленного электронного оборудования обязаны принимать его для переработки по окончании срока службы. MSI обязуется соблюдать требования по приему продукции, проданной под маркой MSI на территории ЕС, в переработку по окончании срока службы. Вы можете вернуть эти изделия в специализированные пункты приема.

#### ESPAÑOL

MSI como empresa comprometida con la protección del medio ambiente, recomienda: Bajo la directiva 2002/96/EC de la Unión Europea en materia de desechos y/o equipos electrónicos, con fecha de rigor desde el 13 de agosto de 2005, los productos clasificados como "eléctricos y

equipos electrónicos" no pueden ser depositados en los contenedores habituales de su municipio, los fabricantes de equipos electrónicos, están obligados a hacerse cargo de dichos productos al término de su período de vida. MSI estará comprometido con los términos de recogida de sus productos vendidos en la Unión Europea al final de su período de vida. Usted debe depositar estos productos en el punto limpio establecido por el ayuntamiento de su localidad o entregar a una empresa autorizada para la recogida de estos residuos.

#### NEDERLANDS

Om het milieu te beschermen, wil MSI u eraan herinneren dat....

De richtlijn van de Europese Unie (EU) met betrekking tot Vervuiling van Electricische en Electronische producten (2002/96/EC), die op 13 Augustus 2005 in zal gaan kunnen niet meer beschouwd worden als vervuiling. Fabrikanten van dit soort producten worden verplicht om producten retour te nemen aan het eind van hun levenscyclus. MSI zal overeenkomstig de richtlijn handelen voor de producten die de merknaam MSI dragen en verkocht zijn in de EU. Deze goederen kunnen geretourneerd worden op lokale inzamelingspunten.

#### SRPSKI

Da bi zaštitili prirodnu sredinu, i kao preduzeće koje vodi računa o okolini i prirodnoj sredini, MSI mora da vas podesti da...

Po Direktivi Evropske unije ("EU") o odbačenoj elektonskoj i električnoj opremi, Direktiva 2002/96/EC, koja stupa na snagu od 13. Avgusta 2005, proizvodi koji spadaju pod "elektonsku i električnu opremu" ne mogu više biti odbačeni kao običan otpad i proizvođači ove opreme biće prinuđeni da uzmu natrag ove proizvode na kraju njihovog uobičajenog veka trajanja. MSI će poštovati zahtev o preuzimanju ovakvih proizvoda kojima je istekao vek trajanja, koji imaju MSI oznaku i koji su prodati u EU. Ove proizvode možete vratiti na lokalnim mestima za prikupljanje.

#### POLSKI

Aby chronić nasze środowisko naturalne oraz jako firma dbająca o ekologię, MSI przypomina, że... Zgodnie z Dyrektywą Unii Europejskiej ("UE") dotycząca odpadów produktów elektrycznych i elektronicznych (Dyrektywa 2002/96/EC), która wchodzi w życie 13 sierpnia 2005, tzw. "produkty oraz wyposażenie elektryczne i elektroniczne" nie mogą być traktowane jako śmieci komunalne, tak więc producenci tych produktów będą zobowiązani do odbierania ich w momencie gdy produkt jest wycofywany z użycia. MSI wypetni wymagania UE, przyjmując produkty (sprzedawane na terenie Unii Europejskiej) wycofywane z użycia. Produkty MSI będzie można zwracać w wyznaczonych punktach zbiorczych.

#### TÜRKÇE

Çevreci özelliğiyle bilinen MSI dünyada çevreyi korumak için hatırlatır:

Avrupa Birliği (AB) Kararnamesi Elektrik ve Elektronik Malzeme Atığı, 2002/96/EC Kararnamesi altında 13 Ağustos 2005 tarihinden itibaren itibaren geçerli olmak üzere, elektrikli ve elektronik malzemeler diğer atıklar gibi çöpe atılmayacak ve bu elektronik cihazların üreticileri, cihazların kullanım süreleri bittikten sonra ürünleri geri toplamakla yükümlü olacaktır. Avrupa Birliği'ne satılan MSI markalı ürünlerin kullanım



süreleri bittiğinde MSI ürünlerin geri alınması isteği ile işbirliği içerisinde olacaktır. Ürünlerinizi yerel toplama noktalarına bırakabilirsiniz.

## ČESKY

Záleží nám na ochraně životního prostředí - společnost MSI upozorňuje...

Podle směrnice Evropské unie ("EU") o likvidaci elektrických a elektronických výrobků 2002/96/EC platné od 13. srpna 2005 je zakázáno likvidovat "elektrické a elektronické výrobky" v běžném komunálním odpadu a výrobci elektronických výrobků, na které se tato směrnice vztahuje, budou povinni odebrat takové výrobky zpět po skončení jejich životnosti. Společnost MSI splní požadavky na odebrání výrobků značky MSI, prodávaných v zemích EU, po skončení jejich životnosti. Tyto výrobky můžete odevzdat v místních sběrnách.

## MAGYAR

Annak érdekében, hogy környezetünket megvédjük, illetve környezetvédként fellépve az MSI emlékezteti Önt, hogy ...

Az Európai Unió („EU”) 2005. augusztus 13-án hatályba lépő, az elektromos és elektronikus berendezések hulladékairól szóló 2002/96/EK irányelve szerint az elektromos és elektronikus berendezések többé nem kezelhetőek lakossági hulladékként, és az ilyen elektronikus berendezések gyártói kötelesek válnak az ilyen termékek visszavételére azok hasznos élettartama végén. A MSI betartja a termékvisszavételrel kapcsolatos követelményeket az MSI márkanév alatt az EU-n belül értékesített termékek esetében, azok élettartamának végén. Az ilyen termékeket a legközelebbi gyűjtőhelyre viheti.

## ITALIANO

Per proteggere l'ambiente, MSI, da sempre amica della natura, ti ricorda che...

In base alla Direttiva dell'Unione Europea (EU) sullo Smaltimento dei Materiali Elettrici ed Elettronici, Direttiva 2002/96/EC in vigore dal 13 Agosto 2005, prodotti appartenenti alla categoria dei Materiali Elettrici ed Elettronici non possono più essere eliminati come rifiuti municipali: i produttori di detti materiali saranno obbligati a ritirare ogni prodotto alla fine del suo ciclo di vita. MSI si adegua a tale Direttiva ritirando tutti i prodotti marchiati MSI che sono stati venduti all'interno dell'Unione Europea alla fine del loro ciclo di vita. È possibile portare i prodotti nel più vicino punto di raccolta

## 日本JIS C 0950材質宣言

日本工業規格JIS C 0950により、2006年7月1日以降に販売される特定分野の電気および電子機器について、製造者による含有物質の表示が義務付けられます。

[http://www.msi.com/html/popup/csr/cemm\\_jp.html](http://www.msi.com/html/popup/csr/cemm_jp.html)  
[http://tw.msi.com/html/popup/csr\\_tw/cemm\\_jp.html](http://tw.msi.com/html/popup/csr_tw/cemm_jp.html)

## India RoHS

This product complies with the "India E-waste [Management and Handling] Rule 2011" and prohibits use of lead, mercury, hexavalent chromium, polybrominated biphenyls or polybrominated diphenyl ethers in concentrations exceeding 0.1 weight % and 0.01 weight % for cadmium, except for the exemptions set in Schedule 2 of the Rule.

## Türkiye EEE yönetmeliği

Türkiye Cumhuriyeti: EEE Yönetmeliğine Uygundur

## Україна обмеження на наявність небезпечних речовин

Обладнання відповідає вимогам Технічного регламенту щодо обмеження використання деяких небезпечних речовин в електричному та електронному обладнанні, затвердженого постановою Кабінету Міністрів України від 3 грудня 2008 № 1057.

## Việt Nam RoHS

Kể từ ngày 01/12/2012, tất cả các sản phẩm do công ty MSI sản xuất tuân thủ Thông tư số 30/2011/TT-BCT quy định tạm thời về giới hạn hàm lượng cho phép của một số hóa chất độc hại có trong các sản phẩm điện, điện tử

## Wireless Radio Use

This device is restricted to indoor use when operating in the 2.4GHz, 5GHz frequency band.

Cet appareil doit être utilisé à l'intérieur.

당해 무선설비는 운용중 전파혼신 가능성이 있음.

この製品は、周波数帯域 2.4GHz, 5GHz で動作しているときは、屋内においてのみ使用可能です。

### NCC無線設備警告聲明

工作頻率 2.4GHz, 5GHz 該類频段限於室內使用。


經型式認證合格之低功率射頻電機，非經許可，公司、商號或使用者均不得擅自變更頻率、加大功率或變更原設計之特性及功能。

低功率射頻電機之使用不得影響飛航安全及干擾合法通信；經發現有干擾現象時，應立即停用，並改善至無干擾時方得繼續使用。前項合法通信，指依電信法規定作業之無線電通信。低功率射頻電機須忍受合法通信或工業、科學及醫療用電波輻射性電機設備之干擾。

### Products with radio functionality (EMF)

This product incorporates a radio transmitting and receiving device. For computers in normal use, a separation distance of 20 cm ensures that radio frequency exposure levels comply with EU requirements. Products designed to be operated at closer proximities, such as tablet computers, comply with applicable EU requirements in typical operating positions. Products can be operated without maintaining a separation distance unless otherwise indicated in instructions specific to the product.


### Restrictions for products with radio functionality

 CAUTION: IEEE 802.11x wireless LAN with 5.15-5.35 GHz frequency band is restricted for indoor use only in all European Union member states, EFTA (Iceland, Norway, Liechtenstein), and most other European countries (e.g., Switzerland, Turkey, Republic of Serbia). Using this WLAN application outdoors might lead to interference issues with existing radio services.

### Radio frequency bands and maximum power levels

Features	:802.11 a/b/g/n/ac/ax, BT
Frequency Range	:2.4GHz, 5GHz
Modulation	:FHSS, DSSS, OFDM
Power Output	:10, 20, 23
Channel Band Width	:1, 5, 20, 40, 80MHz

## MS-7C35主板产品中有害物质的名称及含量

部件名称	有害物质					
	铅 (Pb)	汞 (Hg)	镉 (Cd)	六价铬 (Cr(VI))	多溴联苯 (PBB)	多溴二苯醚 (PBDE)
印刷电路板组件*	×	○	○	○	○	○
电池** 	×	○	○	○	○	○
外部信号连接头	×	○	○	○	○	○
线材	×	○	○	○	○	○

本表格依据 SJ/T 11364 的规定编制。

○: 表示该有害物质在该部件所有均质材料中的含量均在 GB/T 26572 规定的限量要求以下。

×: 表示该有害物质至少在该部件的某一均质材料中的含量超出 GB/T 26572 规定的限量要求,但所有部件都符合欧盟RoHS要求。

\* 印刷电路板组件: 包括印刷电路板及其构成的零部件。

\*\* 电池本体上如有环保使用期限标识,以本体标识为主。

■ 上述有毒有害物质或元素清单会依型号之部件差异而有所增减。

■ 产品部件本体上如有环保使用期限标识,以本体标识为主。

## 限用物質含有情況標示聲明書

設備名稱: 電腦主機板		型號(型式): MS-7C35				
單元	限用物質及其化學符號					
	鉛 (Pb)	汞 (Hg)	鎘 (Cd)	六價鉻 (Cr <sup>6+</sup> )	多溴聯苯 (PBB)	多溴二苯醚 (PBDE)
電路板	○	○	○	○	○	○
電子元件	—	○	○	○	○	○
金屬機構件	—	○	○	○	○	○
塑膠機構件	○	○	○	○	○	○

備考1. “超出0.1 wt %”及“超出0.01 wt %”係指限用物質之百分比含量超出百分比含量基準值。

備考2. “○”係指該項限用物質之百分比含量未超出百分比含量基準值。

備考3. “—”係指該項限用物質為排除項目。

## Copyright

**msi** Micro-Star Int'l Co., Ltd.  
 Copyright © 2020 All rights reserved.  
 The MSI logo used is a registered trademark of  
 Micro-Star Int'l Co., Ltd. All other marks and names  
 mentioned may be trademarks of their respective  
 owners. No warranty as to accuracy or completeness  
 is expressed or implied. MSI reserves the right to make  
 changes to this document without prior notice.

## Revision History

ASIA Version 1.0, 2019/05, First release.  
 ASIA Version 1.1, 2019/07, updated release.  
 ASIA Version 1.2, 2020/07, updated release.

## Technical Support

If a problem arises with your system and no solution can be obtained from the user guide, please contact your place of purchase or local distributor. Alternatively, please try the following help resources for further guidance.

- Visit the MSI website for technical guide, BIOS updates, driver updates, and other information: <http://www.msi.com>
- Register your product at: <http://register.msi.com>

